

CHAMPION

GLOBAL POWER EQUIPMENT

TM-MC

OWNER'S MANUAL & OPERATING INSTRUCTIONS

Frame Type

PORTABLE GENERATOR

ENGLISH

SVENSKA

DEUTSCH



This manual covers the following models:

CPG3500-(EU/SC)

CPG4000E1-(EU/SC)

CPG6500E2-(EU/SC)

CPG9000E2-(EU/SC)

NORSK

SUOMEN KIELI

EESTI

FRANÇAIS

SAVE THESE INSTRUCTIONS

Important Safety Instructions
are included in this manual.

INTRODUCTION

Introduction

Congratulations on purchasing your generator. Please follow these instructions and maintain it correctly.

Portable Power Generator

This unit is a petrol engine driven AC generator used for supply electrical power.

Accessories

CPE manufactures and supplies a series of accessories. See local dealer for more information.

This Booklet

We reserve the right to change, alter or improve the product and this manual without prior notice.

Record the model and serial numbers as well as date and place of purchase for future reference. Have this information available when ordering parts and when making technical or warranty inquiries.

Champion Power Equipment Support	
Model Number	
Serial Number	
Date of Purchase	
Purchase Location	
For Oil Type see 'Add Engine Oil' section. For Fuel Type see 'Add Fuel' section.	

Please familiarize yourself with the following symbols. The safety symbol and key words are safety warnings. Follow all safety messages to avoid accidents or injury.

DANGER

DANGER indicates an imminently hazardous situation which, if not avoided, **will** result in death or serious injury.

WARNING

WARNING indicates a potentially hazardous situation which, if not avoided, **could** result in death or serious injury.

CAUTION

CAUTION indicates a potentially hazardous situation which, if not avoided, **may** result in minor or moderate injury.

CAUTION

CAUTION used without the safety alert symbol indicates a potentially hazardous situation which, if not avoided, **may** result in property damage.

NOTE

If you have questions regarding your generator, we can help. Please contact your local dealer.

SAFETY RULES

WARNING

Read this manual thoroughly before operating your generator. Failure to follow instructions could result in serious injury or death.

WARNING

The engine exhaust from this product contains chemicals that are known to cause serious health problems and even death.

DANGER

Generator exhaust contains carbon monoxide, a colorless, odorless, poison gas. Breathing carbon monoxide will cause nausea, dizziness, fainting or death. If you start to feel dizzy or weak, get to fresh air immediately.

Operate generator outdoors only in a well ventilated area.

DO NOT operate the generator inside any building, including garages, basements, crawlspaces and sheds, enclosure or compartment, including the generator compartment of a recreational vehicle. DO NOT allow exhaust fumes to enter a confined area through windows, doors, vents or other openings.

DANGER CARBON MONOXIDE: using a generator indoors **CAN KILL YOU IN MINUTES.**

DANGER

Rotating parts can entangle hands, feet, hair, clothing and/or accessories.
Traumatic amputation or severe laceration can result.

Keep hands and feet away from rotating parts.
Tie up long hair and remove jewelry.
Operate equipment with guards in place.
DO NOT wear loose-fitting clothing, dangling drawstrings or items that could become caught.

DANGER

Generator produces powerful voltage.

DO NOT touch bare wires or receptacles.
DO NOT use electrical cords that are worn, damaged or frayed.

DO NOT operate generator in wet weather.
DO NOT allow children or unqualified persons to operate or service the generator
Use a ground fault circuit interrupter (GFCI) in damp areas and areas containing conductive material such as metal decking.
Use approved transfer equipment to isolate generator from your electric utility and Notify your utility company before connecting your generator to your power system.

WARNING

Sparks can result in fire or electrical shock.

When servicing the generator:

Disconnect the spark plug wire and place it where it cannot contact the plug.
DO NOT check for spark with the plug removed.
Use only approved spark plug testers.

WARNING

Running engines produce heat. Severe burns can occur on contact.
Combustible material can catch fire on contact.

DO NOT touch hot surfaces.
Avoid contact with hot exhaust gases.
Allow equipment to cool before touching.
Maintain at least 3 ft. (91.4 cm) of clearance on all sides to ensure adequate cooling.
Maintain at least 5 ft. (1.5 m) of clearance from combustible materials.

WARNING

Medical and Life Support Uses.

In an emergency, call emergency services immediately.
NEVER use this product to power life support devices or life support appliances.
NEVER use this product to power medical devices or medical appliances.
Inform your electricity provider immediately if you or anyone in your household depends on electrical equipment to live.
Inform your electrical provider immediately if a loss of power would cause you or anyone in your household to experience a medical emergency.

⚠ DANGER

Fuel and fuel vapors are highly flammable and extremely explosive.
Fire or explosion can cause severe burns or death.
Unintentional startup can result in entanglement, traumatic amputation or laceration.

When adding or removing fuel:

Turn the generator off and let it cool for at least two minutes before removing the fuel cap. Loosen the cap slowly to relieve pressure in the tank.
Only fill or drain fuel outdoors in a well-ventilated area. DO NOT pump gas directly into the generator at the gas station. Use an approved container to transfer the fuel to the generator.
DO NOT overfill the fuel tank.
Always keep fuel away from sparks, open flames, pilot lights, heat and other sources of ignition.
DO NOT light or smoke cigarettes.

When starting the generator:

DO NOT attempt to start a damaged generator.
Make certain that the gas cap, air filter, spark plug, fuel lines and exhaust system are properly in place.
Allow spilled fuel to evaporate fully before attempting to start the engine.
Make certain that the generator is resting firmly on level ground.

When operating the generator:

DO NOT move or tip the generator during operation.
DO NOT tip the generator or allow fuel or oil to spill.

When transporting or servicing the generator:

Make certain that the fuel shutoff valve is in the off position and the fuel tank is empty.
Disconnect the spark plug wire.

When storing the generator:

Store away from sparks, open flames, pilot lights, heat and other sources of ignition.

⚠ WARNING

Operation of this equipment may create sparks that can start fires around dry vegetation.

A spark arrestor may be required. The operator should contact local fire agencies for laws or regulations relating to fire prevention requirements.

⚠ WARNING

Rapid retraction of the starter cord will pull hand and arm towards the engine faster than you can let go.
Unintentional startup can result in serious injury.
Broken bones, fractures, bruises or sprains could result.

When starting engine, pull the starter cord slowly until resistance is felt and then pull rapidly to avoid kickback.
DO NOT start or stop the engine with electrical devices plugged in.

! CAUTION

Exceeding the generator's running capacity can damage the generator and/or electrical devices connected to it.

DO NOT overload the generator.
Start the generator and allow the engine to stabilize before connecting electrical loads.
Connect electrical equipment in the off position, and then turn them on for operation.
Turn electrical equipment off before stopping the generator.
DO NOT tamper with the governed speed.
DO NOT modify the generator in any way.

! CAUTION

Improper treatment or use of the generator can damage it, shorten its life and void your warranty.

Use the generator only for intended uses.
Operate only on level surfaces.
DO NOT expose generator to excessive moisture, dust, or dirt.
DO NOT allow any material to block the cooling slots.
If connected devices overheat, turn them off and disconnect them from the generator.
DO NOT use the generator if:

- Electrical output is lost
- Equipment sparks, smokes or emits flames
- Equipment vibrates excessively

ASSEMBLY

Your generator requires some assembly. This unit ships from our factory without oil. It must be properly serviced with fuel and oil before operation.

If you have any questions regarding the assembly of your generator, contact your local dealer. Please have your serial number and model number available.

Remove the Generator from the Shipping Carton

1. Set the shipping carton on a solid, flat surface.
2. Remove everything from the carton except the generator.
3. Carefully cut each corner of the box from top to bottom. Fold each side flat on the ground to provide a surface area to install the wheel kit and support leg.

Install the Wheel Kit (Optional Extra)

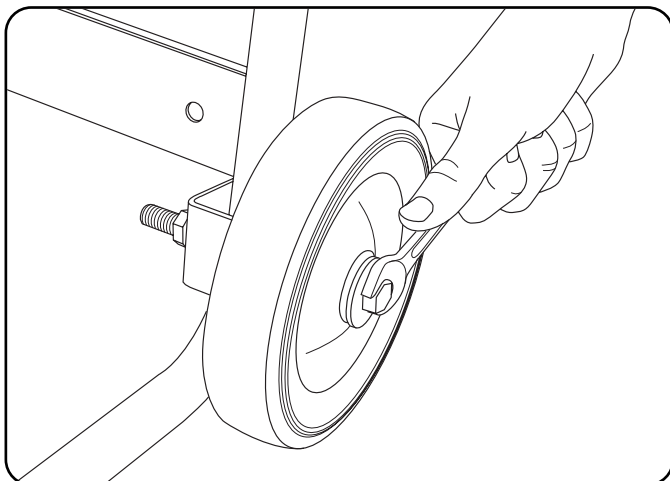
! CAUTION

The wheel kit is not intended for over-the-road use.

You will need the following tools to install the wheels:

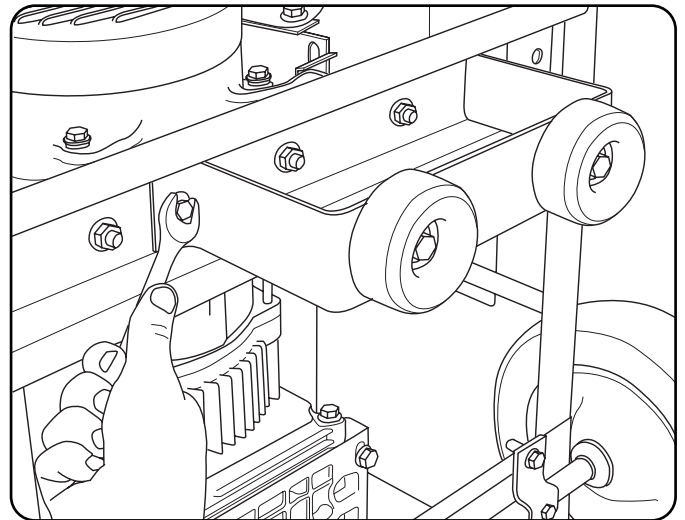
- 17 mm wrench OR adjustable wrench (not included)
- Socket wrench with a 16 mm socket (not included)
- Pliers (not included)

1. Before adding fuel and oil, tip the generator on its side.
2. Slide the M10x120 flange bolt through the washer, sleeve and wheel.
3. Slide the bolt through the mount point on the frame.
4. Fasten securely with the M10 lock nut.
5. Repeat steps 2-4 to attach the second wheel.



Install the Support Leg

1. Attach the vibration mounts to the support leg with a flange bolt M8 x 25 and flange lock nuts.
2. Attach the support leg to the generator frame with flange bolts M8 x 16 and flange lock nuts and fasten securely. DO NOT over tighten the lock nuts.
3. Tip the generator slowly so that it rests on the wheels and support leg.



Connect the Battery (Electric Start Models only)

1. Remove the protective cover from the red (+) lead on the battery.
2. Attach the red (+) lead to the red (+) terminal on the battery with the cap screw (M5x10) and secure with the lock washer (M5).
3. Repeat steps 1-2 for the black (-) battery lead.

Add Engine Oil

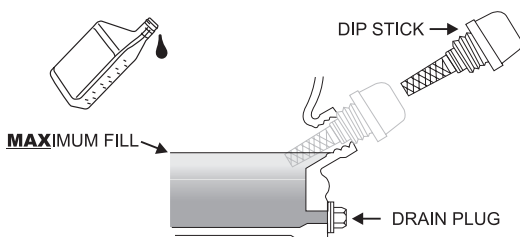
CAUTION

DO NOT attempt to crank or start the engine before it has been properly filled with the recommended type and amount of oil. Damage to the generator as a result of failure to follow these instructions will void your warranty.

NOTE

The recommended oil type is 10W-30 automotive oil.

1. Place the generator on a flat, level surface.
2. Remove oil fill cap/dipstick to add oil.
3. Add oil and replace oil fill cap/dipstick. DO NOT OVERFILL.
4. Check engine oil level daily and add as needed.



NOTE

Once oil has been added, a visual check should show oil about 1-2 threads from running out of the fill hole. If using the dipstick to check oil level, DO NOT screw in the dipstick while checking.

CAUTION

The engine is equipped with a low oil shut-off and will stop when the oil level in the crankcase falls below the threshold level.

Add Engine Oil Cont'd.

NOTE

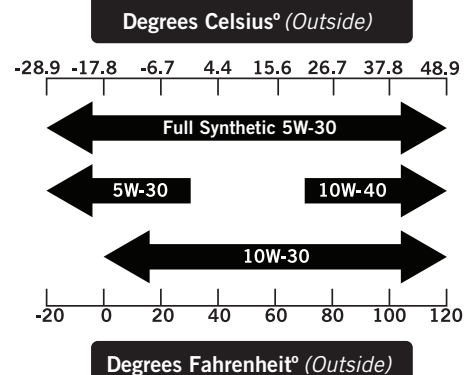
Check oil often during the break-in period. Refer to the Maintenance section for recommended service intervals.

NOTE

The generator rotor has a sealed, pre-lubricated ball bearing that requires no additional lubrication for the life of the bearing.

NOTE

We consider the first 5 hours of run time to be the break-in period for the unit. During the break in period stay at or below 50% of the running watt rating and vary the load occasionally to allow stator windings to heat and cool. Adjusting the load will also cause engine speed to vary and help seat piston rings. After the 5 hour break-in period, change the oil.



NOTE

Weather will affect engine oil and engine performance. Change the type of engine oil used based on weather conditions to suit the engine needs.

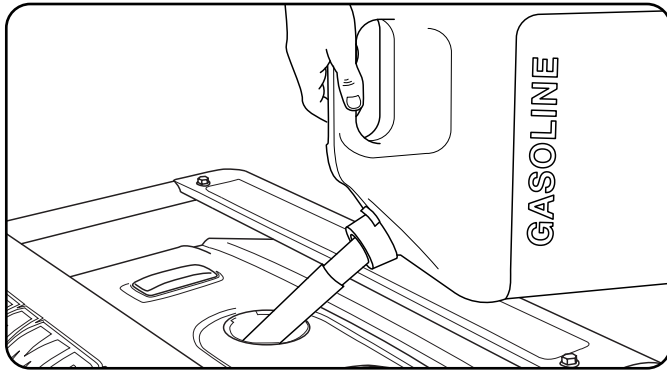
NOTE

Synthetic oil may be used after the 5 hour initial break-in period. Using synthetic oil does not increase the recommended oil change interval. Full synthetic 5W-30 oil will aid in starting in cold ambient <math>< 5^{\circ}\text{C}</math> (41°F)

ASSEMBLY

Add Fuel

1. Use clean, fresh, regular unleaded fuel with a minimum octane rating of 85 and an ethanol content of less than 10% by volume.
2. DO NOT mix oil with fuel.
3. Clean the area around the fuel cap.
4. Remove the fuel cap.
5. Slowly add fuel to the tank. DO NOT OVERFILL. Fuel can expand after filling. A minimum of ¼ in. (6.4 mm) of space left in the tank is required for fuel expansion, more than ¼ in. (6.4 mm) is recommended. Fuel can be forced out of the tank as a result of expansion if it is overfilled, and can affect the stable running condition of the product. When filling the tank, it is recommended to leave enough space for the fuel to expand.



6. Screw on the fuel cap and wipe away any spilled fuel.

⚠ CAUTION

Use regular unleaded gasoline with a minimum octane rating of 85.

Do not mix oil and gasoline.
Fill tank to approximately ¼ in. (6.4 mm) below the top of the tank to allow for fuel expansion.
DO NOT pump gas directly into the generator at the gas station. Use an approved container to transfer the fuel to the generator.
DO NOT fill fuel tank indoors.
DO NOT fill fuel tank when the engine is running or hot.
DO NOT overfill the fuel tank.
DO NOT light cigarettes or smoke when filling the fuel tank.

⚠ WARNING

Pouring fuel too fast through the fuel screen may result in blow back of fuel at the operator while filling.

Add Fuel Cont'd.

NOTE

Our engines work well with 10% or less ethanol blend fuels. When using blended fuels there are some issues worth noting:

- Ethanol-gasoline blends can absorb more water than gasoline alone.
- These blends can eventually separate, leaving water or a watery goo in the tank, fuel valve and carburetor.
- With gravity-fed fuel supplies, this compromised fuel can be drawn into the carburetor and cause damage to the engine and/or potential hazards.
- There are only a few suppliers of fuel stabilizer that are formulated to work with ethanol blend fuels.
- Any damages or hazards caused by using improper fuel, improperly stored fuel, and/or improperly formulated stabilizers, are not covered by manufacture's warranty.

It is advisable to always shut off the fuel supply, run the engine to fuel starvation and drain the tank when the equipment is not in use for more than 30 days.

Grounding

Your generator must be properly connected to an appropriate ground to help prevent electric shock.

⚠ WARNING

Failure to properly ground the generator can result in electric shock.

A ground terminal connected to the frame of the generator has been provided on the power panel. For remote grounding, connect of a length of heavy gauge (12 AWG minimum) copper wire between the generator ground terminal and a copper rod driven into the ground. We strongly recommend that you consult with a qualified electrician to ensure compliance with local electrical codes.

Generator Location

Never operate the generator inside any building! (See safety warnings section). In some areas generators must be registered with the local utility company. Generators used on construction sites may be subject to local rules and regulations. Keep on a flat, level surface. Generators must have at least 5 ft (1.5m) clearance from all combustible material. In addition they must have at least 3 ft (91.4cm) of clearance on all sides to allow for adequate cooling, maintenance and servicing. Generators should never be started or operated in an location that will not allow for adequate cooling of the generator and/or the muffler. Allow generators to cool before storage or transportation. Do not place the generator near any vents or intakes. Carefully consider wind and air currents when placing generator.

Failure to follow proper safety precautions may void manufacturer's warranty.

WARNING

Do not operate or store the generator in rain, snow, or wet weather.

Using a generator or electrical appliance in wet conditions, such as rain or snow, or near a pool or sprinkler system, or when your hands are wet, could result in electrocution.

WARNING

During operation the muffler and exhaust fumes produced will become hot. If adequate cooling and breathing space are not supplied, or if the generator is blocked or contained, temperatures can become extremely heated and may lead to fire.

Grounding

The generator system ground connects the frame to the ground terminals on the power panel. The system ground is connected to the AC neutral wire.

Surge Protection

CAUTION

Voltage fluctuation may impair the proper functioning of sensitive electronic equipment.

Electronic devices, including computers and many programmable appliances use components that are designed to operate within a narrow voltage range and may be affected by momentary voltage fluctuations. While there is no way to prevent voltage fluctuations, you can take steps to protect sensitive electronic equipment.

1. *Install UL1449, CSA-listed, plug-in surge suppressors on the outlets feeding your sensitive equipment.*

Surge suppressors come in single- or multi-outlet styles. They're designed to protect against virtually all short-duration voltage fluctuations.

Starting the Engine

1. Make certain the generator is on a flat, level surface.
2. Disconnect all electrical loads from the generator. Never start or stop the generator with electrical devices plugged in or turned on.
3. Turn the Fuel Valve to the "ON" position.
4. Move the choke lever to the "CHOKE" position.
5. Flip the ignition switch to the "ON" position.
6. For models that have an ELECTRIC START: Press and hold the ignition switch to the "START" position. Release as the engine begins to roll over. If the engine fails to start within five seconds, release the switch and wait at least ten seconds before attempting to start the engine again.
7. RECOIL START: Pull the starter cord slowly until resistance is felt and then pull rapidly
8. Do not over-choke. As as soon as engine starts, move the choke lever to the "RUN" position.

OPERATION

Starting the Engine Cont'd.

NOTE

Keep choke lever in “Choke” position for only 1 pull of the recoil starter. After first pull, move choke lever to the “Run” position for up to the next 3 pulls of the recoil starter. Too much choke will cause the engine not to start.

NOTE

If the engine starts but does not run make certain that the generator is on a flat, level surface. The engine is equipped with a low oil sensor that will prevent the engine from running when the oil level falls below a critical threshold.

NOTE

When the battery switch is in the “ON” position, the switch will light up if the battery is sending out a charge. If the switch does not light up while in the “ON” position, check that the battery connection is still good.

NOTE

The supplied 12V 15AH battery does re-charge while the engine is running, but it is also recommended that the battery be fully charged at least once per month.

Connecting Electrical Loads

1. Let the engine stabilize and warm up for a few minutes after starting
2. Plug in and turn on the desired 220 Volt AC single phase, 50 Hz electrical loads.
 - DO NOT connect 3-phase loads to the generator.
 - DO NOT connect 60 Hz loads to the generator.
 - DO NOT overload the generator.

Connecting Electrical Loads Cont'd.

NOTE

Connecting a generator to your electric utility company's power lines or to another power source may be against the law. In addition this action, if done incorrectly, could damage your generator and appliances and could cause serious injury or even death to you or a utility worker who may be working on nearby power lines. If you plan to run a portable electric generator during an outage, please notify your electric utility company immediately and remember to plug your appliances directly into the generator. Do not plug the generator into any electric outlet in your home. Doing so could create a connection to the utility company power lines. You are responsible for ensuring that your generator's electricity does not feed back into the electric utility power lines. If the generator will be connected to a building electrical system, consult your local utility company or a qualified electrician. Connections must isolate generator power from utility power and must comply with all applicable laws and codes.

Stopping the Engine

1. Turn off and unplug all electrical loads. Never start or stop the generator with electrical devices plugged in or turned on.
2. Let the generator run at no-load for several minutes to stabilize internal temperatures of the engine and generator.
3. Turn the Fuel Valve to the “OFF” position.
4. Let the engine run until fuel starvation has stopped the engine. This usually takes a few minutes.
5. Press the Ignition Switch to the “OFF” position.

Important: Always ensure that the Fuel Valve and the Ignition Switch are in the “OFF” position when the engine is not in use.

NOTE

If the engine will not be used for a period of two (2) weeks or longer, please see the Storage section for proper engine and fuel storage.

Do Not Overload Generator

Capacity

Follow these simple steps to calculate the running and starting watts necessary for your purposes.

1. Select the electrical devices you plan on running at the same time.
2. Total the running watts of these items. This is the amount of power you need to keep your items running.
3. Identify the highest starting wattage of all devices identified in step 1. Add this number to the number calculated in step 2. Surge wattage is the extra burst of power needed to start some electric driven equipment. Following the steps listed under “Power Management” will guarantee that only one device will be starting at a time.

Power Management

Use the following formula to convert voltage and amperage to watts:

$$\text{Volts} \times \text{Amps} = \text{Watts}$$

To prolong the life of your generator and attached devices, follow these steps to add electrical load:

1. Start the generator with no electrical load attached
2. Allow the engine to run for several minutes to stabilize.
3. Plug in and turn on the first item. It is best to attach the item with the largest load first.
4. Allow the engine to stabilize.
5. Plug in and turn on the next item.
6. Allow the engine to stabilize.
7. Repeat steps 5-6 for each additional item.

NOTE

Never exceed the specified capacity when adding loads to the generator.

Operation at High Altitude

Be aware that engine efficiency can reduce and exhaust emissions increase when working at high altitude.

Other high altitude issues can include hard starting, increased fuel consumption and spark plug fouling.

This is a natural trend and cannot be altered by engine adjustment.

An Important Message About Temperature

Your Champion Power Equipment product is designed and rated for continuous operation at ambient temperatures up to 40°C (104°F). When your product is needed your product may be operated at temperatures ranging from -15°C (5°F) to 50°C (122°F) for short periods. If the product is exposed to temperatures outside this range during storage, it should be brought back within this range before operation. In any event, the product must always be operated outdoors, in a well-ventilated area and away from doors, windows and other vents.

MAINTENANCE AND STORAGE

The owner/operator is responsible for all periodic maintenance.

WARNING

Never operate a damaged or defective generator.

WARNING

Tampering with the factory set governor will void your warranty.

WARNING

Improper maintenance will void your warranty.

NOTE

Maintenance, replacement, or repair of emission control devices and systems may be performed by any non-road engine repair establishment or individual.

Complete all scheduled maintenance in a timely manner. Correct any issue before operating the generator.

Engine Maintenance

To prevent accidental starting, remove and ground spark plug wire before performing any service.

Oil

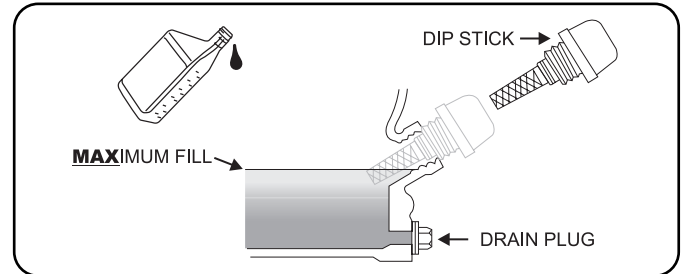
Change oil when the engine is warm. Refer to the oil specification to select the proper grade of oil for your operating environment.

1. Remove the oil drain plug with a 15 mm socket and extension (not included).
2. Allow the oil to drain completely.
3. Replace the drain plug.
4. Remove oil fill cap/dipstick to add oil.
5. Add oil and replace oil fill cap/dipstick. **DO NOT OVERFILL.**
6. Dispose of used oil at an approved waste management facility.

Oil Cont'd.

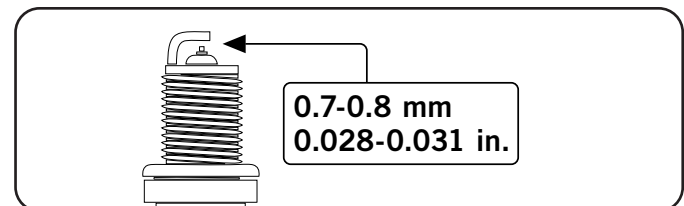
NOTE

Once oil has been added, a visual check should show oil about 1-2 threads from running out of the fill hole. If using the dipstick to check oil level, **DO NOT** screw in the dipstick while checking.



Spark Plugs

1. Remove the spark plug cable from the spark plug.
2. Remove the plug.
3. Inspect the electrode on the plug. It must be clean and not worn to produce the spark required for ignition.
4. Refer to spark plug information located in the "specification" page for this model.
5. Carefully thread the plug into the engine.
6. Use the spark plug tool (not included) to firmly install the plug.
7. Attach the spark plug wire to the plug.



OEM spark plug: F6RTC

Replacement spark plug: NGK BPR6ES or equivalent

Make certain the *spark plug gap is 0.7 - 0.8 mm or (0.028 - 0.031 in.).

Maintenance Valve Clearance

- Intake: 0.13 - 0.17 mm (0.005 - 0.007 in.)

- Exhaust: 0.18 - 0.22 mm (0.007 - 0.009 in.)

Note: Tech bulletin regarding the valve adjustment procedure is on www.championpowerequipment.co.uk

Air Filter

1. Remove the snap-on cover holding the air filter to the assembly.
2. Remove the foam element.
3. Wash in liquid detergent and water. Squeeze thoroughly dry in a clean cloth.
4. Saturate in clean engine oil.
5. Squeeze in a clean, absorbent cloth to remove all excess oil.
6. Place the filter in the assembly.
7. Reattach the air filter cover and snap in place.

Spark Arrester

1. Allow the engine to cool completely before servicing the spark arrester.
2. Remove the screws holding the cover plate which retains the end of the spark arrester to the muffler.
3. Remove the spark arrester screen.
4. Carefully remove the carbon deposits from the spark arrester screen with a wire brush.
5. Replace the spark arrester if it is damaged.
6. Position the spark arrester in the muffler and attach with the three screws.

! CAUTION

Failure to clean the spark arrester will result in degraded engine performance.

NOTE

Federal and local laws and administrative requirements indicate when and where spark arresters are required.

Cleaning

! CAUTION

DO NOT spray engine with water.

Water can contaminate the fuel system.

Use a damp cloth to clean exterior surfaces of the engine. Use a soft bristle brush to remove dirt and oil. Use an air compressor (25 PSI) to clear dirt and debris from the engine.

Adjustments

The air-fuel mixture is not adjustable. Tampering with the governor can damage your generator and your electrical devices and will void your warranty. CPE recommends that you contact your local dealer for all other service and/or adjustment needs.

Maintenance Schedule

Follow the service intervals indicated in the following maintenance schedule.

Service your generator more frequently when operating in adverse conditions.

Every 8 hours or daily	
	Check oil level
	Clean around air intake and muffler
First 5 Hours	
	Change oil
Every 50 hours or every season	
	Clean air filter
	Change oil if operating under heavy load or in hot environments
Every 100 hours or every season	
	Change oil
	Clean/Adjust spark plug
	Check/Adjust valve clearance*
	Clean spark arrester
	Clean fuel tank and filter*
Every 250 hours	
	Clean combustion chamber*
Every 3 years	
	Replace fuel line

*To be performed by knowledgeable, experienced owners or Champion Power Equipment certified dealers.

Generator Maintenance

Make certain that the generator is kept clean and stored properly. Only operate the unit on a flat, level surface in a clean, dry operating environment. DO NOT expose the unit to extreme conditions, excessive dust, dirt, moisture or corrosive vapors.

! CAUTION

DO NOT use a garden hose to clean the generator.

Water can enter the generator through the cooling slots and damage the generator windings.

Use a damp cloth to clean exterior surfaces of the generator. Use a soft bristle brush to remove dirt and oil. Use an air compressor (25 PSI) to clear dirt and debris from the generator. Inspect all air vents and cooling slots to ensure that they are clean and unobstructed.

MAINTENANCE AND STORAGE

Storage

The generator should be started at least once every 14 days and allowed to run for at least 20 minutes. For longer term storage, please follow these guidelines.

Generator Storage

1. Add a properly formulated fuel stabilizer to the tank.
2. Be sure all appliances are disconnected from the generator.
3. Run the generator for a few minutes so the treated fuel cycles through the fuel system and carburetor.
4. Turn the fuel valve to the "Off" position.
5. Let the generator run until fuel starvation has stopped the engine. This usually takes a few minutes.
6. The generator needs to cool completely before cleaning and storage.
7. Clean the generator according to the maintenance section.
8. Change the oil.
9. Remove the spark plug and pour about 1/2 ounce (14.8 mL) of oil into the cylinder. Crank the engine slowly to distribute the oil and lubricate the cylinder.
10. Reattach the spark plug.
11. Store the unit in a clean, dry place out of direct sunlight.

Battery

Some frame type generators are equipped with an automatic battery charging circuit. The battery will receive charging voltage when the engine is running. The battery will maintain a proper charge if the unit is used on a regular basis (about once every two weeks). If it is used less frequently, the battery should be connected to a trickle charger or battery maintainer to keep the battery properly charged. If the battery is not able to start the engine, it can be started by manually pulling the engine recoil cord. If the battery voltage is extremely low, the charging circuit may not be able to re-charge the battery. In this case, the battery must be connected to a standard automotive style battery charger for re-charging before it can be used.

Charge the Battery

For generators equipped with batteries for electric starting, proper battery maintenance and storage should be followed. An automatic battery charger (not included) with automatic trickle charging capability should be used to charge the battery. Maximum charging rate should not exceed 1.5 amps. Follow the instructions included with the battery charger. The battery should be fully charged at least once per month.

NOTE

A Float Charger will maintain the battery condition over long storage periods.

Disconnect the Battery

1. Remove the protective cover from the black/negative battery lead.
2. Disconnect the black/negative lead from the black/negative terminal on the battery and store the cap screw and lock washer.
3. Repeat steps 1-2 for the red/positive battery lead.
4. Store the battery in a cool, dry place.

DANGER

Generator exhaust contains odorless and colorless carbon monoxide gas.

To avoid accidental or unintended ignition of your electric start generator during periods of storage, the following precautions should be followed:

- When storing the generator for short periods of time make sure that the Ignition Switch and the Fuel Valve are set in the OFF position.
- When storing the generator for extended periods of time make sure that the Ignition Switch and the Fuel Valve are set in the OFF position and the battery leads have been disconnected from the battery.

Problem	Cause	Solution
Generator will not start	No fuel	Add fuel
	Faulty spark plug	Replace spark plug
	Unit loaded during start up	Remove load from unit
Generator will not start; Generator starts but runs roughly	Low oil level	Fill crankcase to the proper level Place generator on a flat, level surface
	Choke in the wrong position.	Adjust choke.
	Spark plug wire loose	Attach wire to spark plug
Generator will not start electrically	Generator battery is dead	Recharge generator battery
Generator shuts down during operation	Out of fuel	Fill fuel tank
	Low oil level	Fill crankcase to the proper level. Place generator on a flat, level surface
Generator cannot supply enough power or overheating	Generator is overloaded	Review load and adjust. See "Power Management"
	Insufficient ventilation	Check for air restriction. Move to a well ventilated area
No AC output	Cable not properly connected	Check all connections
	Connected device is defective	Replace defective device
	Circuit breaker is open	Reset circuit breaker
	Faulty brush assembly	Replace brush assembly (Service Center)
	Faulty AVR (auto voltage regulator)	Replace AVR (Service Center)
	Loose wiring	Inspect and tighten wiring connections
	Other	Contact the help line.
Generator gallops	Engine governor defective	Contact the help line
Repeated circuit breaker tripping	Overload	Review load and adjust. See "Power Management"
	Faulty cords or device	Check for damaged, bare or frayed wires. Replace defective device

INTRODUKTION

Introduktion

Grattis till att ha köpt denna generator. Vårda och ta hand om den korrekt.

Portabel strömgenerator

Denna enhet är en bensinmotordriven växelströmgenerator som används för att generera elektrisk ström.

Tillbehör

CPE tillverkar och tillhandahåller en mängd olika tillbehör. Se din lokala handlare för mer information.

Denna broschyr

Vi förbehåller oss rätten att ändra eller förbättra produkten eller denna manual utan vidare förvarning.

Notera modell- och serienummer samt datum och inköpsställe för framtida behov. Ha denna information tillgänglig vid beställning av reservdelar och vid tekniska eller garanti-förfrågningar.

Champion Power Equipment support
Modellnummer
Serienummer
Inköpsdatum
Inköpsplats
För oljetyp , se avsnittet "Fyll på olja". För bränsletyp , se avsnittet "Fyll på bränsle".

Vänligen gör dig bekant med följande symboler. Säkerhetssymbolen och nyckelorden är säkerhetsvarningar. Följ alla säkerhetsmeddelanden för att undvika olyckor eller personskador.

DANGER

FARA anger en omedelbart farlig situation som, om den inte undviks, **kommer att** leda till död eller allvarlig personskada.

WARNING

FARA anger en potentiellt farlig situation som, om den inte undviks, **kan** leda till död eller allvarlig personskada.

CAUTION

FARA anger en potentiellt farlig situation som, om den inte undviks, **kan** leda till mindre eller måttliga personskador.

CAUTION

VARNING utan symbolen för säkerhetsvarning anger en potentiellt farlig situation som, om den inte undviks, **kan** leda till skador på egendom.

NOTE

Om du har frågor om din generator kan vi hjälpa dig. Vänligen kontakta din lokala handlare.

SÄKERHETSREGLER

WARNING

Läs denna manual noggrant innan du använder din generator. Att avvika från instruktionerna kan leda till allvarliga skador eller död.

WARNING

Avgaserna från den här produkten innehåller kemikalier som är dokumenterat skadliga för hälsan eller t.o.m. dödliga.

DANGER

Generatoravgaser innehåller kolmonoxid som är en färglös, doftfri, giftig gas. Att andas in kolmonoxid kommer att orsaka illamående, yrsel, svimning eller död. Om du börjar känna dig yr eller svag, se till att få frisk luft omedelbart.

Använd generatoren utomhus och på en väl ventilerad plats.

ANVÄND INTE generatoren inomhus. Detta inkluderar garage, källare, kryputrymmen, förråd, inhägnader eller avdelningar samt generatorutrymmen i husbilar eller husvagnar. LÅT INTE avgasångor tränga in i stängda utrymmen genom fönster, dörrar, ventiler eller andra öppningar.

KOLMONOXIDVARNING: att använda en generator inomhus **KAN DÖDA DIG PÅ ETT PAR MINUTER.**

DANGER

Roterande delar kan trassla in händer, fötter, hår, kläder och/eller accessoarer. Traumatiska amputationer eller allvarliga skärsår kan uppstå.

Se till att hålla händer och fötter borta från roterande delar.

Sätt upp långt hår och ta bort smycken.

Använd utrustning med skydd på plats.

ANVÄND INTE löst sittande kläder, hängande snören eller andra saker som kan fastna eller ryckas in.

DANGER

Generatoren producerar kraftfull spänning.

RÖR INTE nakna sladdar eller kärl.

ANVÄND INTE elektriska sladdar som är slitna, skadade eller trasiga.

ANVÄND INTE generatoren i vått väder.

TILLÅT INTE barn eller okvalificerade personer att hantera eller genomföra underhåll på generatoren.

Använd en säkerhetsbrytare på fuktiga ställen eller på ställen med strömförande material såsom metallunderlag.

Använd godkänd överföringsutrustning för att isolera generatoren från dina elektriska verktyg och meddela ditt elbolag innan du ansluter din generator till elnätet.

WARNING

Gnistor kan resultera i brand eller elektriska stötar.

Vid underhåll av generatoren:

Koppla ifrån sladden till tändstiftet och placera den så att den inte kan komma i kontakt med tändstiftet. Undersök INTE om det bildas gnistor när tändstiftet är borttaget.

Använd endast godkända testare av tändstift.

WARNING

Att köra motorer som producerar hetta. Allvarliga skador kan uppstå vid kontakt. Brännbart material kan fatta eld vid kontakt.

RÖR INTE heta ytor.

Undvik kontakt med heta avgaser.

Låt utrustning svalna av innan den vidrörs.

Se till att hålla ett avstånd på minst 1 meter (ca 3 ft.) på alla sidor för att säkerställa tillräcklig avkylning.

Se till att hålla ett avstånd på minst 1,5 meter (ca 5 ft.) från brännbart material.

WARNING

Medicinsk och livsuppehållande användning.

Kontakta larmassistans omedelbart i händelse av en olycka.

ANVÄND ALDRIG den här produkten för att driva livsuppehållande enheter eller apparater.

ANVÄND ALDRIG den här produkten för att driva medicinska enheter eller apparater.

Informera din elleverantör omedelbart om någon i ditt hushåll är beroende av elektrisk utrustning för att överleva.

Informera din elleverantör omedelbart om någon i ditt hushåll skulle uppleva en medicinsk kris utan tillgänglig elektricitet.

DANGER

Bränsle och bränsleångor är mycket brandfarliga och extremt explosiva.
Brand eller explosion kan orsaka allvarliga brännskador eller död.
Oavsiktlig start kan resultera i intrassling, traumatisk amputation eller skärsår.

Vid påfyllning eller tömning av bränsle:

Stäng av generatören och låt den svalna i minst två minuter innan du tar bort locket till bränslet. Lossa försiktigt på locket för att släppa ut trycket ur tanken.

Fyll eller töm endast utomhus på en väl ventilerad plats.

PUMPA INTE bensin direkt in i generatören på bensinstationen. Använd en godkänd behållare för att fylla på bränslet i generatören.

ÖVERFYLL INTE bränsletanken.

Se alltid till att hålla bränsle borta från gnistor, öppen eld, glöd, hetta eller andra antändningskällor. TÄND INTE eller rök cigaretter.

Vid start av generatören:

Försök ALDRIG att starta en skadad generator. Se till att bensinlock, luftfilter, tändstift, bränsleslangar och avgassystem sitter ordentligt på plats.

Låt utspillt bränsle att dunsta bort ordentligt innan du försöker starta motorn.

Se till att generatören står stadigt på platt mark.

Vid användning av generatören:

FLYTTA eller TIPPA INTE generatören under användning.

TIPPA INTE generatören eller låt bränsle eller olja att spillas ut.

Vid transport eller underhåll av generatören:

Se till att bränslets avstängningsventil är stängd och att bränsletanken är tom.

Koppla ifrån sladden till tändstiftet.

Vid förvaring av generatören:

Förvara borta från gnistor, öppen eld, glöd, hetta eller andra antändningskällor.

WARNING

Användning av den här utrustningen kan generera gnistor som kan starta brand i torr vegetation.

Ett gnistskydd kan krävas. Användaren bör kontakta den lokala brandskyddsmyndigheten beträffande gällande brandskyddsbestämmelser.

WARNING

Den snabba rekylen av startsnöret kan slita med sig hand och arm mot motorn snabbare än du hinner släppa taget.

Oavsiktlig start kan resultera i allvarliga personskador.

Brutna ben, frakturer, blåmärken eller stukningar kan bli resultatet.

När du ska starta motorn, dra startsnöret långsamt tills du känner motstånd och dra då snabbt för att undvika rekyl.

STARTA eller STANNA INTE motorn med några elektriska enheter anslutna.

CAUTION

Att överstiga generatörens driftkapacitet kan skada generatören och/eller de elektriska enheter som är kopplade till den.

ÖVERBELASTA INTE generatören.

Starta generatören och låt motorn stabiliseras innan du ansluter någon elektrisk belastning.

Anslut elektrisk utrustning när den är avstängd och sätt sedan på den efter anslutning.

Stäng av elektrisk utrustning innan du stänger av generatören.

MIXTRA INTE med den reglerade hastigheten.

MODIFIERA INTE generatören på något vis.

CAUTION

Olämplig hantering eller användning av din generator kan skada den, förkorta dess livslängd och göra garantin ogiltig.

Använd endast generatören på avsett sätt.

Använd endast på jämn, platt mark.

UTSÄTT INTE generatören för överdriven fukt, damm eller smuts.

LÅT INTE något material blockera ventilationsöppningarna.

Om anslutna enheter överhettas ska de stängas av och kopplas bort från generatören.

ANVÄND INTE generatören om:

- Den inte alstrar någon elektricitet
- Utrustningen ger gnistor, rök eller eld
- Utrustningen vibrerar överdrivet

MONTERING

Din generator kräver en viss montering. Denna enhet levereras från vår fabrik utan olja. Den måste underhållas ordentligt med bränsle och olja innan den används.

Om du har några frågor om monteringen av din generator, vänligen kontakta din lokala handlare. Vänligen se till att ha ditt serienummer och modellnummer till hands.

Ta bort generatoren från leveransförpackningen.

1. Placera leveransförpackningen på en stabil platt yta.
2. Ta bort allting från kartongen förutom generatoren.
3. Skär försiktigt upp varje hörn på lådan från topp till botten. Vik ner varje sida platt på marken för att få en yta att kunna installera hjulutrustningen och stödbenet.

Installera hjulutrustningen (extra tillval)

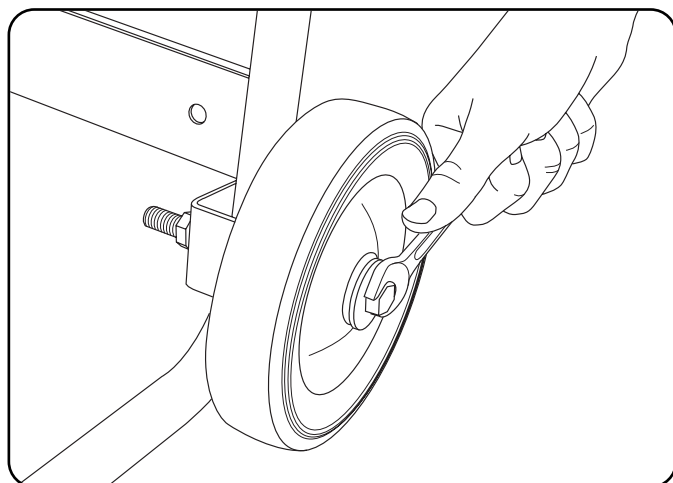
! CAUTION

Hjulutrustningen är inte avsedd för vägtrafik.

Du kommer att behöva följande verktyg för att installera hjulen:

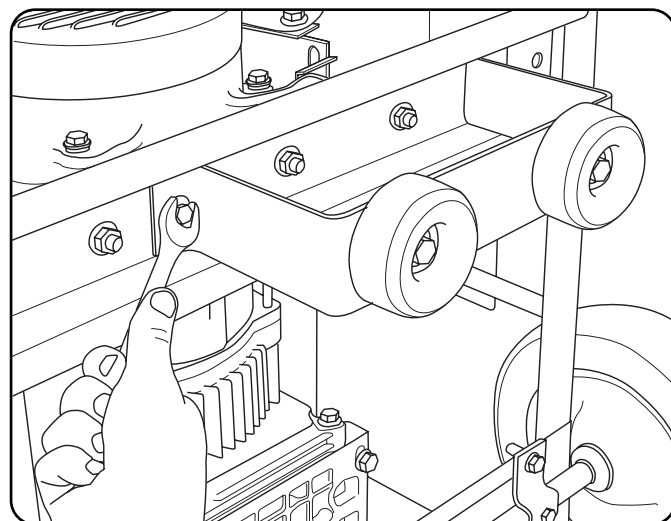
- 17 mm skruvnyckel ELLER skiftnyckel (ingår inte)
- Hylsnyckel med 16 mm hylsa (ingår inte)
- Tång (ingår inte)

1. Innan du fyller på bränsle eller olja, tippa generatoren på sidan.
2. För in M10x120-flänsbulten genom bricka, bussning och hjul.
3. För in bulten genom monteringspunkten på ramen.
4. Fäst ordentligt med M10-låsbulten.
5. Upprepa steg 2-4 för att fästa det andra hjulet.



Installera stödbenet

1. Fäst vibrationsfästena på stödbenet med flänsbultar M8 x 25 och flänslåsmuttrar.
2. Fäst stödbenet på generatorramen med flänsbultar M8 x 16 och flänslåsmuttrar och dra åt ordentligt. DRA INTE åt låsmuttrarna för hårt.
3. Tippa generatoren försiktigt så att den vilar på hjulen och stödbenet.



Anslut batteriet (endast elektriska startmodeller)

1. Ta bort det skyddande höljet från den röda pluspoolen (+) på batteriet.
2. Fäst den röda pluspoolen (+) på den röda plusterminalen (+) med lockskruven (M5x10) och säkra med låsbrickan (M5).
3. Upprepa steg 1-2 för den svarta minuspoolen (-).

Fyll på motorolja.

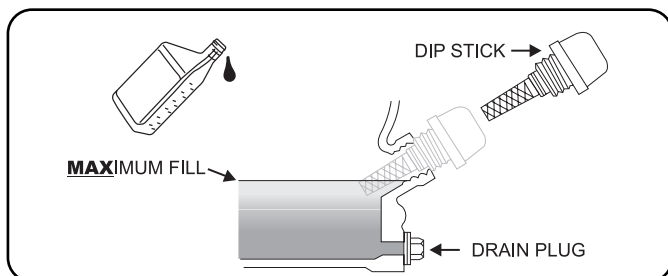
! CAUTION

FÖRSÖK INTE starta eller dra igång motorn innan den har fyllts på ordentligt med rekommenderad mängd och typ av olja. Skador på generatoren till följd av att dessa instruktioner inte har följts gör garantin ogiltig.

NOTE

Den rekommenderade oljetypen är 10W-30 motorolja. Under de fem första timmarna bör mineralolja användas. Efter första oljebytet går det bra att använda syntetisk olja.

1. Placera generatoren på en platt jämn yta.
2. Ta bort oljelocket och oljesticka för att fylla på olja.
3. Fyll på olja och återställ oljesticka och oljelocket. ÖVERFYLL INTE.
4. Kontrollera oljenivåerna dagligen och fyll på vid behov.



NOTE

När oljan har fyllts på bör en avsyning visa olja upp till ca. 1-2 gånger från att rinna ut ur påfyllningshålet. Om du använder en oljesticka för att kontrollera oljan ska du INTE skruva fast oljesticka när du gör kontrollen.

CAUTION

Motorn är utrustad med en lågnivåavstängning och kommer att stanna när oljenivån i växellådan kommer under gränsvån.

Fyll på motolja, forts.

NOTE

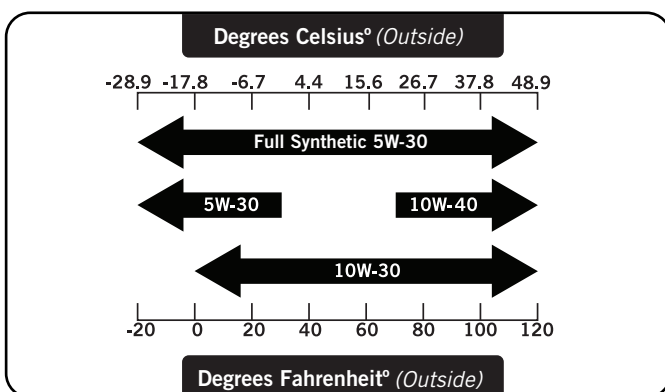
Kontrollera oljan ofta under inkörningsperioden. Se avsnittet om underhåll för rekommenderat underhållsintervall.

NOTE

Generators rotor har ett förseglat, smörjt kullager som inte kräver någon ytterligare smörjning under kullagrets hela livslängd.

NOTE

Vi anser att de första fem körtimmarna är inkörningsperiod för enheten. Kör på eller under 50% av wattbelastningen under inkörningsperioden och variera belastningen då och då för att låta statorspiralerna hettas upp och svalna av. Att justera belastningen kommer också att låta motorhastigheten att variera, vilket hjälper kolringarna att sätta sig. Efter de första 5 timmarnas inkörningsperiod, byt oljan.



NOTE

Vädret kommer att påverka motoroljan och dess funktion. Byt oljetyp för att anpassa till rådande väderlek och för att passa motorns behov.

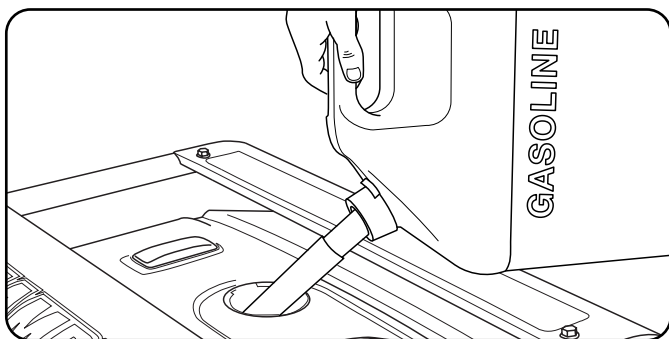
NOTE

Syntetisk olja får användas efter de första 5 timmarnas inkörningsperiod. Använd av syntetisk olja förlänger inte det rekommenderade intervallet för byte av olja. Helt syntetisk 5W-30-olja underlättar start i kall omgivning <math>< 5^{\circ}\text{C}</math> (41°F).

MONTERING

Fyll på bränsle

1. Använd rent, nytt, standard oblyat bränsle med en lägsta oktanhalt på 85 och en etanolhalt på mindre än 10 % per volym. Vanlig bilbensin går alldeles utmärkt men alkylatbensin rekommenderas.
2. **BLANDA INTE** olja och bränsle.
3. Rengör området runt bränslelocket.
4. Skruva av bränslelocket.
5. Fyll försiktigt på bränsle i tanken. **ÖVERFYLL INTE.** Bränsle kan expandera efter påfyllning. Ett minimum på 6,4 mm (¼ in.) av utrymme i tanken krävs för expansion och mer än 6,4 mm (¼ in.) rekommenderas. Bränsle kan tvingas ut ur tanke som en följd av expansion om det överfylls och det kan påverka en jämn drift av produkten. När tanken fylls på rekommenderas att lämna tillräckligt med utrymme för bränslet att expandera.



6. Skruva på bränslelocket och torka bort eventuellt spillt bränsle.

! CAUTION

Använd vanlig oblyad bensin med en lägsta oktanhalt på 85.

Blanda inte olja och bensin.
Full upp tanken till ca. 6,4 mm (¼ in.) från tankens överdel för att tillåta att bränslet expanderar.
PUMPA INTE bensin direkt in i generatoren på bensinstationen. Använd en godkänd behållare för att fylla på bränslet i generatoren.
FYLL INTE på bränsletanken inomhus.
FYLL INTE på bränsletanken när motorn är igång eller mycket varm.
ÖVERFYLL INTE bränsletanken.
TÄND INTE cigaretter eller rök när du fyller på bränsletanken.

! WARNING

Att fylla på bränslet för fort genom bränslesilen kan leda till att bränslet slår tillbaka på användaren under påfyllning.

Fyll på bränsle, forts.

NOTE

Våra motorer fungerar bra med 10 % eller mindre etanolblandat bränsle. Vid användning av bränsleblandningar är några saker värda att notera:

- Etanolbensinblandningar kan absorbera mer vatten än enbart bensin.
- Dessa blandningar kan eventuellt separera och lämna vatten eller en vattenliknande gegga i tanken, bränsleventilen och förgasaren
- Med en bränsleförsörjning som matas genom gravitation kan detta försämrade bränsle dras in i förgasaren och orsaka skada på motorn och/eller orsaka potentiell fara.
- Det finns endast ett fåtal leverantörer av bränslestabilisatorer som kan hantera etanolblandat bränsle.
- Alla skador eller faror som uppkommer genom användning av olämpligt bränsle, dåligt förvarat bränsle och/eller dåligt fungerande stabilisatorer täcks inte av tillverkarens garanti.

Det rekommenderas att stänga av bränsletillförseln och sedan köra motorn tills bränslet helt tar slut och helt tömma tanken om utrustningen har stått oanvänd i mer än 30 dagar.

Jordning

Din generator måste vara korrekt ansluten till lämplig jordning för att förhindra elektrisk chock.

! WARNING

Om generatoren inte jordas ordentligt kan det leda till elektrisk chock.

En jordningsterminal som är ansluten till ramen på generatoren finns på strömpanelen. För fjärrjordning, anslut en kraftig koppartråd (12 AWG minimum) mellan generatorens jordningsterminal och en kopparstång som körs ner i marken. Vi rekommenderar starkt att du talar med en kvalificerad elektriker för att säkerställa att detta tillvägagångssätt följer gällande lokala elektriska standarder.

Placering av generatorn

Använd aldrig generatorn inomhus! (Se avsnittet om säkerhetsvarningar.) I vissa områden måste generatorer registreras hos det lokala elbolaget. Generatorer som används på byggplatser kan lyda under ytterligare lokala bestämmelser. Placera på en platt jämn yta. Generatorer måste ha minst 1,5 m (5 ft) fritt avstånd från allt brännbart material. Dessutom måste de ha minst 1 m (ca. 3 ft) fritt utrymme på alla sidor för att möjliggöra avkylning, underhåll och service. Generatorer bör aldrig startas eller användas på en plats som inte tillåter tillräcklig avkylning av generatorn och/eller ljuddämparen. Låt generatorer svalna innan de förvaras eller transporteras. Placera inte generatorn nära några ventiler eller luftintag. Undersök noggrant hur vind- och luftströmmar rör sig när du placerar generatorn.

Om korrekta säkerhetsåtgärder inte följs riskerar det att tillverkarens garanti blir ogiltig.

WARNING

Använd eller förvara inte generatorn i regn, snö eller våt väderlek.

Att använda en generator eller elektrisk apparat i våta omständigheter såsom regn och snö eller i närheten av en pool eller ett sprinklersystem eller när dina händer är våta kan leda till dödlig elektrisk chock.

WARNING

Under användning kommer ljuddämparen och avgaserna att bli heta. Om tillräcklig avkylning och luftutrymme inte finns eller om generatorn är blockerad eller instängd kan temperaturerna bli extremt höga och leda till brand.

Jordning

Generatorns jordningssystem ansluter ramen till jordterminalerna på strömpanelen. Jordningssystemet är anslutet till växelströmmens neutrala sladd.

Spänningskydd

CAUTION

Spänningsvariationer kan störa korrekt funktion hos känslig elektronisk utrustning.

Elektroniska enheter, inklusive datorer och många programmerbara apparater, använder komponenter som är utformade för att fungera inom ett begränsat spänningsomfång och de kan påverkas av tillfälliga variationer i spänningen. Trots att det inte finns något sätt att förhindra tillfälliga variationer i spänningen så finns det sätt att skydda känslig utrustning.

1. *Installera ett UL1449-godkänt (SS-EN 61643-11) överspänningskydd på de uttag som förser din känsliga utrustning med ström.*

Överspänningskydd finns som enkeluttag eller multiuttag. De är utformade för att skydda mot i princip alla kortvariga spänningsvariationer.

Att starta motorn

1. Se till att generatorn är placerad på en platt jämn yta.
2. Koppla ifrån all elektrisk belastning från generatorn. Starta eller stanna aldrig generatorn med några elektriska enheter anslutna eller påslagna.
3. Vrid bränsleventilen till läge "ON".
4. Flytta choke-spaken till läge "CHOKE".
5. Vrid tändningen till läge "ON".
6. För modeller med elektrisk start: Tryck ner och håll tändningen i läge "START". Släpp tändningen så fort som motorn går igång. Om motorn inte startar inom fem sekunder, släpp tändningen och vänta i minst tio sekunder innan du försöker starta motorn på nytt.
7. START MED DRAGSNÖRE: Dra i startsnöret långsamt tills du känner motstånd och dra då snabbt.
8. Använd inte choken för mycket. Så fort som motorn startar, flytta choke-spaken till läge "RUN".

Att starta motorn, forts.

NOTE

Håll inne choke-spaken i läge "Choke" för endast ett drag med dragsnöret. Efter det första draget, flytta choke-spaken till läge "Run" för de följande tre dragen med dragsnöret. För mycket choke kommer att göra att motorn inte startar.

NOTE

Om motorn startar, men inte fortsätter att gå, se till att generatoren verkligen står på en platt jämn yta. Motorn är försedd med en sensor för låg oljenivå som förhindrar att motorn körs när oljenivån kommer under den kritiska nivån.

NOTE

När batteriomkopplaren är i läge "ON" så tänds reglaget om batteriet skickar ut en laddning. Kontrollera att batteriet fortfarande är korrekt anslutet om reglaget inte tänds när batteriomkopplaren är i läge "ON".

NOTE

Det bifogade 12V 15AH-batteriet laddas när motorn körs, men det rekommenderas också att batteriet laddas helt åtminstone en gång i månaden.

Att ansluta elektrisk belastning

1. Låt motorn stabiliseras och värmas upp i några minuter efter start.
2. Koppla in och starta de önskade 220 volts, AC enkelfas, 50 Hz elektriska belastningarna.
 - ANSLUT INTE trefas belastningar till generatoren.
 - ANSLUT INTE några trefas-belastningar till generatoren.
 - ÖVERBELASTA INTE generatoren.

Att ansluta elektrisk belastning, forts.

NOTE

Att ansluta en generator till ditt elnät eller till någon annan kraftkälla kan strida mot lagen. Förutom detta kan det, om det görs felaktigt, skada din generator och dina apparater och dessutom orsaka allvarlig skada eller t.o.m. död för dig eller eventuella elektriker eller andra som arbetar på närliggande kraftledningar. Om du tänker köra en portabel elektrisk generator under ett strömbrott, vänligen meddela ditt elbolag omedelbart och kom ihåg att koppla in dina apparater direkt till generatoren. Koppla inte in generatoren i något uttag i ditt hem. Att göra detta kan skapa en koppling till elbolagets kraftledningar. Du är ansvarig att se till att din generators elektricitet inte kopplas tillbaks in i elbolagets kraftledningar. Om generatoren ska kopplas till en byggnads elektriska system ska du rådfråga ditt lokala elbolag eller en kvalificerad elektriker. Anslutningar måste isolera generatorkraften från kraften i elnätet och måste dessutom följa alla gällande lagar och regler.

Att stänga av motorn

1. Stäng av och koppla ur alla elektriska belastningar. Starta eller stanna aldrig generatoren med några elektriska enheter anslutna eller påslagna.
2. Låt generatoren köras utan belastning i några minuter för att stabilisera den interna temperaturen på motorn och generatoren.
3. Vrid bränsleventilen till läge "OFF".
4. Låt motorn köras tills bristen på bränsle stoppar motorn. Detta tar vanligtvis några minuter.
5. Vrid tändningen till läge "OFF".

Viktigt: Se alltid till att bränsleventilen och tändningen är i läge "OFF" när motorn inte används.

NOTE

Om motorn inte ska användas under period på två (2) veckor eller längre, vänligen se stycket "Förvaring" för korrekt förvaring av motor och bränsle.

Överbelasta inte generatorm

Kapacitet

Följ dessa enkla steg för att räkna ut vilken mängd watt som krävs för drift och start av de enheter du vill köra.

1. Välj de elektriska enheter som du tänker köra samtidigt.
2. Lägg ihop watt-talen för dessa enheter. Detta är den mängd watt som du behöver för att hålla dina enheter igång.
3. Notera det högsta watt-talet av de enheter som du valde i steg 1. Lägg till detta tal till summan du fick ihop i steg 2. Spänningsökning (extra watt) är den extra effekt som behövs för att starta vissa elektriskt drivna komponenter. Följ stegen i stycket "Strömhantering" för att säkerställa att endast en enhet i taget startas.

Strömhantering

Använd följande formel för att konvertera volt och ampere till watt:

$$\text{Volt} \times \text{Ampere} = \text{Watt}$$

Följ dessa steg för att förlänga livslängden på din generator och på inkopplade enheter när du ökar på den elektriska belastningen:

1. Starta generatorm utan någon elektrisk belastning inkopplad.
2. Låt motorn köras i några minuter för att stabiliseras.
3. Koppla in och starta den första enheten. Det är bäst att koppla på den enhet som har högst belastning först.
4. Låt motorn stabilisera sig.
5. Koppla in och starta nästa enhet.
6. Låt motorn stabilisera sig.
7. Upprepa steg 5-6 för varje extra enhet.

Drift vid hög höjd

Var medveten om att motoreffekten kan minskas och avgaserna kan öka vid drift på hög höjd. Andra effekter av hög höjd kan vara svår start, ökad bränsleförbrukning och nedsmutsade tändstift. Detta är ett naturligt förlopp och kan inte ändras genom motorjustering.

Underhåll av ventilspel

Din Champion Power Equipment produkt är designad och testad för kontinuerlig drift i omgivande temperaturer upp till +40°C (104°F). När du har behov av din produkt kan den användas i temperaturer från -15°C (5°F) till 50°C (122°F) under kortare perioder. Om produkten förvaras i temperature utanför detta temperaturspann bör den återföras till det spannet innan den används. Oavsett temperature skall den alltid användas utomhus på en väl-ventilerad plats på säkert avstånd från dörrar, fönster och andra luftintag.

NOTE

Överskrid aldrig den angivna kapaciteten när du lägger till fler belastande källor till generatorm.

UNDERHÅLL OCH FÖRVARING

Ägaren/användaren är ansvarig för allt periodiskt underhåll.

! WARNING

Använd eller kör aldrig en skadad eller trasig generator.

! WARNING

Att mixtra med den fabriksinställda regulatören kommer att göra att garantin blir ogiltig.

! WARNING

Olämpligt underhåll kommer att göra att garantin blir ogiltig.

NOTE

Underhåll, byte av delar eller reparation av avgaskontrollanordningar kan göras av valfri reparationsverkstad eller individ.

Genomför allt underhåll på utsatt tid. Rätta till alla problem innan generatören används.

Motorunderhåll

För att förebygga oavsiktlig start av motorn, ta bort och jorda sladden till tändstiftet innan underhåll genomförs.

Olja

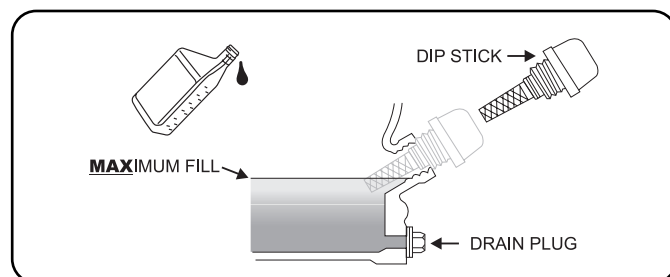
Byt olja när motorn är varm. Se oljespecifikationen för att välja rätt oljekvalitet för din användningsmiljö.

1. Ta bort bottenpluggen för tömning av oljan med en 15 mm hylsnyckel med förlängning (ingår inte).
2. Låt oljan tömmas helt.
3. Sätt tillbaks bottenpluggen.
4. Ta bort oljelocket och oljestickan för att fylla på olja.
5. Fyll på olja och återställ oljestickan och oljelocket. ÖVERFYLL INTE.
6. Kassera använd olja på en godkänd avfallshanteringsstation.

NOTE

När oljan har fyllts på bör en avsyning visa olja upp till ca. 1-2 gånger från att rinna ut ur påfyllningshålet. Om du använder en oljesticka för att kontrollera oljan ska du INTE skruva fast oljestickan när du gör kontrollen.

Olja, forts.

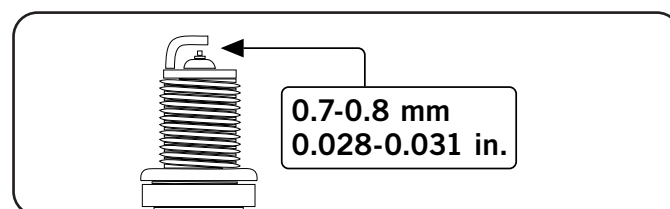


Tändstift

1. Ta bort sladden till tändstiftet.
2. Ta bort tändstiftet.
3. Kontrollera elektroden på tändstiftet. Den måste vara ren och inte sliten för att producera den gnista som krävs för tändning.
4. Se avsnittet "Specifikationer" för information om tändstift för denna modell.
5. Sätt försiktigt tillbaks tändstiftet i motorn.
6. Använd ett tändstiftsverktyg (ingår inte) för att installera tändstiftet ordentligt.
7. Fäst sladden till tändstiftet.

Luftfilter

1. Ta bort det fastsnäppta skyddet som håller luftfiltret på plats.
2. Ta bort skumelementet.
3. Tvätta i flytande rengöringsmedel och vatten. Kläm noggrant i en torr och ren handduk.
4. Dränk i ren motorolja.
5. Kläm i ett torrt sugande tyg för att ta bort all överflödiga olja.
6. Sätt tillbaks filtret på plats.
7. Sätt tillbaks skyddet och snäpp fast.



OEM-Tändstift: F6RTC

Utbyteständstift: NGK BPR6ES eller motsvarande
Säkerställ att tändstiftets gap är 0,7-0,8 mm (0,028 – 0,031 in.)

Underhåll av ventilspel

- Inloppsventil: 0.13 - 0.17 mm (0.005 - 0.007 in.)
- Avgasventil: 0.18 - 0.22 mm (0.007 - 0.009 in.)

Gnistskydd

1. Låt motorn svalna helt innan du genomför underhåll på gnistskyddet.
2. Ta bort skruvarna som håller fast täckplåten som i sin tur håller fast gnistskyddet vid ljuddämparen.
3. Ta bort gnistskyddets skärm.
4. Ta försiktigt bort kolrester från gnistskyddets skärm med en stålborste.
5. Ersätt gnistskyddet om det är skadat.
6. Fäst gnistskyddet vid ljuddämparen med de tre skruvarna.

! CAUTION

Att inte rengöra gnistskyddet gör att motorns prestanda minskar.

NOTE

Lagar och förordningar beträffande elsäkerhet anger när gnistskydd krävs. Se Elsäkerhetsverkets föreskrifter.

Rengöring

! CAUTION

SPRUTA INTE vatten på motorn.

Vatten kan kontaminera bränslesystemet.

Använd en fuktig trasa för att rengöra utsidan på motorn.

Använd en mjuk borste för att ta bort smuts och olja. Använd en luftkompressor (25 PSI) för att ta bort smuts och skräp från motorn.

Justeringar

Luft-bränsleblandningen är inte justerbar. Att mixra med regulatoren kan skada din generator och dina elektriska apparater och gör garantin ogiltig. CPE rekommenderar att du kontaktar din lokala handlare för alla andra underhålls- och/eller justeringsbehov.

Underhållsschema

Följ de underhållsintervall som anges i följande underhållsschema.

Genomför underhåll på din generator oftare om den används i ogynnsamma förhållanden.

Var åttonde timme eller dagligen	
	Kontrollera oljenivå
	Rengör runt luftintag och ljuddämpare
De första fem timmarna	
	Byt olja
Var 50:e timme eller varje säsong	
	Rengör luftfilter
	Byt olja om motorn ska köras under tung belastning eller i het miljö.
Var 100:e timme eller varje säsong	
	Byt olja
	Rengör/justera tändstift
	Kontrollera/justera ventilavstånd*
	Rengör gnistskydd
	Rengör bränsletank och filter*
Var 250:e timme	
	Rengör förbränningskammare*
Vart tredje år	
	Ersätt bränsleslangen

*Ska utföras av kunniga, erfarna ägare eller av Champion Power Equipment-certifierade återförsäljare.

Generatorunderhåll

Se till att motorn hålls ren och att den förvaras på lämpligt sätt. Använd endast enheten på en platt jämn yta i en ren, torr användningsmiljö. UTSÄTT INTE enheten för extrema omständigheter, överdrivet damm, smuts, fukt eller frätande ångor.

! CAUTION

ANVÄND INTE en trädgårdsslang för att rengöra motorn.

Vatten kan komma in i motorn via avkylningsglitsarna och skada motorns spiraler.

Använd en fuktig trasa för att rengöra utsidan på motorn.

Använd en mjuk borste för att ta bort smuts och olja. Använd en luftkompressor (25 PSI) för att ta bort smuts och skräp från motorn.

Inspektera alla luftventiler och avkylningsglitsar för att säkerställa att de är rena och obehindrade.

UNDERHÅLL OCH FÖRVARING

Förvaring

Generatoren bör startas minst en gång var 14:e dag och köras i minst 20 minuter. För längre tids förvaring, vänligen följ dessa riktlinjer.

Generatorförvaring

1. Fyll på en lämplig bränslestabilisator i tanken.
2. Se till att alla apparater är frånkopplade från generatoren.
3. Kör generatoren ett par gånger så att det behandlade bränslet cirkulerar i bränslesystemet och förgasaren.
4. Vrid bränsleventilen till läge "OFF".
5. Låt motorn köras tills bristen på bränsle stoppar motorn. Detta tar vanligtvis några minuter.
6. Generatoren behöver kylas ned helt innan rengöring och förvaring.
7. Rengör generatoren enligt avsnittet om underhåll.
8. Byt oljan.
9. Ta bort tändstiftet och häll i ca. 15 ml (1/2 ounce) olja i cylindern. Veva motorn försiktigt för att distribuera oljan och smörja cylindern.
10. Sätt tillbaka tändstiftet.
11. Förvara enheten på en ren, torr plats och inte i direkt solljus.

Batteri

Vissa generatorer av ramtyp är utrustade med en automatisk batteriladdningsenhet. Batteriet laddas när motorn körs. Batteriet behåller bibehåller en lagom laddning om enheten används regelbundet (minst en gång varannan vecka). Om enheten används mindre ofta bör batteriet anslutas till en batteriladdare för att hålla batteriet lämpligt laddat. Om batteriet inte klarar av att starta motorn så kan den startas med hjälp av dragsnöret. Om batteriets spänning är extremt låg finns risk att laddningsenheten inte klarar att ladda batteriet. Om så är fallet måste batteriet anslutas till en konventionell batteriladdare för att laddas innan det kan användas.

Ladda batteriet

För generatorer som är utrustade med batterier för elektrisk start måste korrekt batteriunderhåll och batteriförvaring ske. En automatisk batteriladdare (ingår inte) med automatisk underhållsladdning bör användas för att ladda batteriet. Maximal laddningsstyrka bör inte överstiga 1,5 ampere. Följ de instruktioner som följer med batteriladdaren. Batteriet bör laddas fullt minst en gång i månaden.

NOTE

En underhållsladdare kommer att bibehålla batteriet i gott skick under långa förvaringsperioder.

Koppla ifrån batteriet

1. Ta bort det skyddande höljet från den svarta minuspoolen (-).
2. Koppla ifrån den svarta minuspoolen (-) från den svarta minusterminalen (-) på batteriet och spara/ förvara lockskraven och låsbrickan.
3. Upprepa steg 1-2 för den röda pluspoolen (+).
4. Förvara batteriet på en sval torr plats.

DANGER

Generatoravgaser innehåller kolmonoxid som är en färglös, doftfri, giftig gas.

För att undvika oavsiktlig tändning av din elektriska startgenerator under förvaringsperioder bör följande förebyggande åtgärder tas:

- Se till att tändningen och bränsleventilen är i läge "OFF" när generatoren ska förvaras under kortare perioder.
- Se till att tändningen och bränsleventilen är i läge "OFF" och att batteriets pooler har kopplats bort från batteriet när generatoren ska förvaras under en längre tid.

Problem	Orsak	Lösning
Generatoren startar inte	Inget bränsle	Fyll på bränsle
	Felaktigt tändstift	Byt ut tändstiftet
	Enheten var belastad under uppstart	Ta bort belastningen från enheten
Generatoren startar inte; Generatoren startar men går ojämnt	Låg oljenivå	Fyll på vevhuset till lämplig nivå Placera generatoren på en platt jämn yta
	Choke-spaken står i fel läge.	Justera choken.
	Sladden till tändstiftet är lös	Fäst sladden till tändstiftet
Generatoren startar inte elektriskt	Generatorbatteriet är dött	Ladda upp generatorbatteriet
Generatoren stängs av under drift	Slut på bränsle	Fyll på bränsletanken
	Låg oljenivå	Fyll på vevhuset till lämplig nivå Placera generatoren på en platt jämn yta
Generatoren alstrar inte tillräckligt med ström eller överhettas	Generatoren är överbelastad	Kontrollera belastningen och justera. Se "Strömhantering"
	Otillräcklig ventilation	Kontrollera om luften hindras. Flytta generatoren till en väl ventilerad plats.
Ingen växelström ges	Sladdar inte korrekt anslutna	Kontrollera alla anslutningar
	Ansluten enhet fungerar inte	Byt ut den anslutna enheten
	Strömbrytaren är öppen	Återställ strömbrytaren
	Felaktigt borstaggreat	Ersätt borstaggreatet (service center)
	Felaktig AVR (automatisk voltregulator)	Ersätt AVR (service center)
	Lösa kablar	Kontrollera och sätt fast kabelanslutningar
	Övrigt	Kontakta hjälplinjen.
Generatoren rusar	Motorregulatorn är felaktig	Kontakta hjälplinjen
Strömbrytaren utlöses upprepade gånger	Överbelastning	Kontrollera belastningen och justera. Se "Strömhantering"
	Felaktiga sladdar eller enhet	Kontrollera efter skadade, öppna eller fransiga sladdar. Byt ut den anslutna enheten

EINLEITUNG

Einführung

Herzlichen Glückwunsch zum Kauf Ihres Stromerzeugers. Bitte und pflegen Sie korrekt.

Mobiler Stromerzeuger

Dieses Gerät ist ein benzinbetriebener Wechselstromgenerator, der zur Stromversorgung verwendet wird.

Zubehör

CPE produziert und liefert eine Reihe von Zubehörteilen. Weitere Informationen erhalten Sie beim lokalen Händler.

Diese Broschüre

Wir behalten uns das Recht vor, das Produkt und dieses Handbuch ohne vorherige Ankündigung zu ändern, zu modifizieren oder zu verbessern.

Notieren Sie sich die Modell- und Seriennummern sowie Datum und Ort des Kaufs zur späteren Verwendung. Halten Sie diese Informationen bei der Bestellung von Teilen und bei technischen und/oder Garantieforderungen bereit.

Champion Power Equipment Support	
Modellnummer	
Seriennummer	
Kaufdatum	
Kaufort	
Für die Ölsorte siehe Abschnitt "Motoröl hinzufügen". Für die Kraftstoffart siehe Abschnitt "Kraftstoff hinzufügen".	

Bitte machen Sie sich mit den folgenden Symbolen vertraut. Das Sicherheitssymbol und die Schlüsselwörter sind Sicherheitshinweise. Befolgen Sie alle Sicherheitshinweise, um Unfälle und/ oder Verletzungen zu vermeiden.

GEFAHR

GEFAHR weist auf eine unmittelbar drohenden Gefahr hin, die, wenn sie nicht vermieden wird, zum Tod oder zu schweren Verletzungen führt.

WARNUNG

WARNUNG weist auf eine potenziell gefährliche Situation hin, die, wenn sie nicht vermieden wird, zu Tod oder schweren Verletzungen führen kann.

VORSICHT

VORSICHT weist auf eine potenziell gefährliche Situation hin, die, wenn sie nicht vermieden wird, zu leichten oder mittleren Verletzungen führen kann.

VORSICHT

VORSICHT, die ohne das Sicherheitswarnsymbol verwendet wird, weist auf eine potenziell gefährliche Situation hin, die, wenn sie nicht vermieden wird, zu Sachschäden führen kann.

HINWEIS

Wenn Sie Fragen zu Ihrem Generator haben, können wir Ihnen helfen. Bitte wenden Sie sich an Ihren Händler vor Ort.

SICHERHEITSVORSCHRIFTEN

WARNUNG

Lesen Sie diese Anleitung sorgfältig durch, bevor Sie Ihren Generator in Betrieb nehmen. Die Nichtbeachtung der Anweisungen kann zu schweren Verletzungen oder zum Tod führen.

WARNUNG

Der Motorabgas aus diesem Produkt enthalten Chemikalien, von denen bekannt ist, dass sie schwerwiegende Gesundheitsprobleme und sogar den Tod verursachen.

GEFAHR

Das Abgas des Generators enthält Kohlenmonoxid, ein farbloses, geruchloses Giftgas. Das Einatmen von Kohlenmonoxid verursacht Übelkeit, Schwindel, Ohnmacht oder Tod. Wenn Sie sich schwindelig oder schwach fühlen, gehen Sie sofort an die frische Luft.

Betreiben Sie den Generator im Freien nur in einem gut belüfteten Bereich. Betreiben Sie den Generator NICHT in einem Gebäude, einschließlich Garagen, Kellern und Schuppen, einem Gehäuse oder Abteil, einschließlich des Stauraums eines Wohnmobils. Lassen Sie KEINE Abgase durch Fenster, Türen, Lüftungsschlitze oder andere Öffnungen gelangen. **GEFAHR CARBON MONOXID: Die Verwendung eines Generators in Innenräumen kann Sie in wenigen Minuten töten.**

GEFAHR

Rotierende Teile können Hände, Füße, Haare, Kleidung und/oder Accessoires verwickeln. Dies kann zu einer traumatischen Amputation oder schweren Platzwunden führen.

Halten Sie Hände und Füße von rotierenden Teilen fern. Binden Sie lange Haare zusammen und entfernen Sie Schmuck. Betreiben Sie das Gerät mit installierten Schutzvorrichtungen. Tragen Sie KEINE lose sitzende Kleidung, baumelnde Kordeln oder Gegenstände, die sich verfangen könnten.

GEFAHR

Der Generator erzeugt eine starke Spannung.

Berühren Sie KEINE blanken Drähte oder Buchsen. Verwenden Sie KEINE Stromkabel, die abgenutzt, beschädigt oder ausgefranst sind. Betreiben Sie den Generator NICHT bei nassem Wetter. Lassen Sie KEINE Kinder oder nicht qualifizierte Personen den Generator bedienen oder warten. Verwenden Sie einen Fehlerstromschutzschalter (FI) in Feuchträumen und Bereichen, die leitfähiges Material enthalten, wie z. B. Metallböden. Verwenden Sie zugelassene Transfer-Geräte, um den Generator ins Stromnetz integrieren. Informieren Sie Ihr Versorgungsunternehmen, bevor Sie den Generator an Ihr Stromnetz anschließen.

WARNUNG

Funken können zu Bränden oder Stromschlägen führen.

Bei der Wartung des Generators:

Ziehen Sie das Zündkerzenkabel ab und legen Sie es dort ab, wo es die Kerze nicht berühren kann. Überprüfen Sie NICHT bei gezogener Kerze auf Zündung. Verwenden Sie nur zugelassene Zündkerzenprüfgeräte.

WARNUNG

Laufende Motoren erzeugen Wärme. Bei Kontakt können schwere Verbrennungen auftreten. Brennbar Materialien können bei Kontakt Feuer fangen.

Berühren Sie KEINE heißen Oberflächen. Vermeiden Sie den Kontakt mit heißen Abgasen. Lassen Sie das Gerät vor dem Berühren abkühlen. Halten Sie einen Abstand von 91,4 cm (3 ft.) auf allen Seiten ein, um eine ausreichende Kühlung zu gewährleisten. Halten Sie einen Abstand von mindestens 1,5m (5 ft.) zu brennbaren Materialien ein.

WARNUNG

Medizinische und lebenserhaltende Anwendungen.

Rufen Sie im Notfall sofort den Notfalldienst an. Verwenden Sie dieses Produkt NIEMALS zur Stromversorgung von lebenserhaltenden Geräten oder lebenserhaltenden Geräten. Verwenden Sie dieses Produkt NIEMALS zur Stromversorgung von Medizinprodukten oder medizinischen Geräten. Informieren Sie sofort Ihren Stromversorger, wenn Sie oder jemand in Ihrem Haushalt auf elektrische Geräte zum Leben angewiesen ist. Informieren Sie sofort Ihren Stromversorger, wenn ein Stromausfall dazu führen würde, dass Sie oder jemand in Ihrem Haushalt einen medizinischen Notfall erleidet.

DANGER

Kraftstoff und Kraftstoffdämpfe sind leicht entzündlich und extrem explosiv. Eine unbeabsichtigte Inbetriebnahme kann zu schweren Verletzungen führen.

Beim Hinzufügen oder Entfernen von Kraftstoff:

Schalten Sie den Generator aus und lassen Sie ihn mindestens zwei Minuten abkühlen, bevor Sie den Tankdeckel entfernen. Lösen Sie die Kappe langsam, um den Druck im Tank abzubauen. Füllen oder entleeren Sie Kraftstoff nur im Freien in einem gut belüfteten Bereich. Füllen Sie KEIN Benzin direkt in den Generator an der Tankstelle. Verwenden Sie einen zugelassenen Behälter, um den Kraftstoff zum Generator zu transportieren.. Den Kraftstofftank NICHT überfüllen. Halten Sie den Kraftstoff immer fern von Funken, offenen Flammen, Kontrollleuchten, Hitze und anderen Zündquellen.. Zünden oder rauchen Sie keine Zigaretten.

Beim Starten des Generators:

Versuchen Sie NICHT, einen beschädigten Generator zu starten. Vergewissern Sie sich, dass Tankdeckel, Luftfilter, Zündkerze, Kraftstoffleitungen und Abgassystem ordnungsgemäß angebracht sind. Lassen Sie verschütteten Kraftstoff vollständig verdunsten, bevor Sie versuchen, den Motor zu starten. Achten Sie darauf, dass der Generator fest auf ebenem Boden steht.

Beim Betrieb des Generators:

Bewegen oder kippen Sie den Generator während des Betriebs NICHT. Den Generator NICHT kippen oder Kraftstoff oder Öl auslaufen lassen.

Beim Transport oder Wartung des Generators:

Vergewissern Sie sich, dass sich das Kraftstoffabsperventil in der Aus-Stellung befindet und der Kraftstofftank leer ist. Ziehen Sie das Zündkerzenkabel ab.

Bei der Lagerung des Generators:

Lagern Sie das Gerät fernab von Funken, offenen Flammen, Kontrollleuchten, Hitze und anderen Zündquellen.

WARNING

Der Betrieb dieses Geräts kann Funken erzeugen, die in der Umgebung von trockener Vegetation Brände auslösen können.

Gegebenenfalls ist eine Funkensperre erforderlich. Der Betreiber sollte sich für Gesetze oder Vorschriften in Bezug auf Brandschutzanforderungen an die örtlichen Brandschutzbehörden wenden.

WARNUNG

Das schnelle Einziehen des Starterseils zieht Hand und Arm schneller zum Motor, als Sie loslassen können, was zu schweren Verletzungen führen kann.

Beim Anlassen des Motors das Starterseil langsam ziehen, bis ein Widerstand spürbar ist, und dann schnell ziehen, um Rückschläge zu vermeiden. Starten oder stoppen Sie den Motor NICHT, wenn elektrische Geräte angeschlossen sind.

VORSICHT

Eine Überschreitung der Betriebskapazität des Generators kann den Generator und/oder die daran angeschlossenen elektrischen Geräte beschädigen.

Überlasten Sie den Generator NICHT. Starten Sie den Generator und lassen Sie den Motor sich stabilisieren, bevor Sie elektrische Verbraucher anschließen. Schließen Sie die elektrischen Geräte in der Aus-Stellung an und schalten Sie sie dann zur Bedienung ein. Schalten Sie die elektrischen Geräte aus, bevor Sie den Generator stoppen. Manipulieren Sie NICHT die regulierte Geschwindigkeit. Nehmen Sie KEINE Modifikationen am Gerät vor.

VORSICHT

Unsachgemäße Behandlung oder Verwendung des Generators kann ihn beschädigen, seine Lebensdauer verkürzen und zum Erlöschen der Garantie führen.

Verwenden Sie den Generator nur für den bestimmungsgemäßen Gebrauch. Betreiben Sie das Gerät nur auf ebenen Flächen. Setzen Sie den Generator NICHT übermäßiger Feuchtigkeit, Staub oder Schmutz aus. Lassen Sie kein Material die Kühlschlitze blockieren. Wenn sich angeschlossene Geräte überhitzen, schalten Sie sie aus und trennen Sie sie vom Generator.

Verwenden Sie den Generator NICHT, wenn:

- Elektrische Leistung verloren geht
- Equipment Funken erzeugt, raucht oder brennt
- Equipment übermäßig vibriert

INBETRIEBNAHME

Ihr Generator benötigt eine gewisse Montage. Dieses Gerät wird ab Werk ohne Öl ausgeliefert. Vor dem Betrieb muss er ordnungsgemäß mit Kraftstoff und Öl gewartet werden. Wenn Sie Fragen zur Montage Ihres Generators haben, wenden Sie sich bitte an Ihren Händler vor Ort. Bitte halten Sie Ihre Seriennummer und Modellnummer bereit.

Entfernen Sie den Generator aus dem Versandkarton

1. Stellen Sie den Versandkarton auf eine feste, ebene Fläche.
2. Entfernen Sie alles aus dem Karton mit Ausnahme des Generators.
3. Entfernen Sie den Generator vorsichtig mit den Tragegriffen des Gerätes aus der Box. (es wird empfohlen, dass zwei Personen anheben)

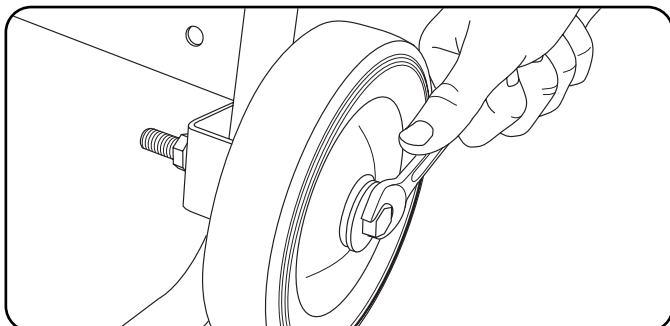
Radsatz installieren - optionales Zubehör

! Vorsicht

Der Radsatz ist nicht für den Einsatz auf der Straße bestimmt.

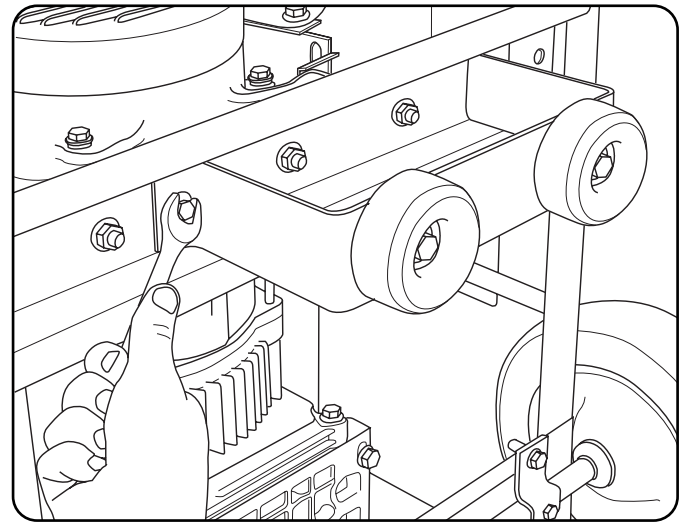
Für die Montage der Räder benötigen Sie die folgenden Werkzeuge: (nicht im Lieferumfang enthalten)

- Verstellbarer Schraubenschlüssel
 - Steckschlüssel
 - Zange
1. Bevor Sie Kraftstoff und Öl hinzufügen, kippen Sie den Generator auf die Seite.
 2. Schieben Sie die Radschraube durch die Unterlegscheibe, die Buchse und das Rad.
 3. Schieben Sie die Schraube durch den Befestigungspunkt am Rahmen.
 4. Befestigen Sie es sicher mit der Kontermutter.
 5. Wiederholen Sie die Schritte 2-4, um das zweite Rad zu befestigen.



Stützfuß montieren

1. Befestigen Sie die Schwingungsdämpfer mit einer Flanschschraube M8 x 25 und Flanschkontermuttern am Stützbein.
2. Befestigen Sie das Stützbein mit Flanschschrauben M8 x 16 und Flanschkontermuttern am Generatorrahmen und befestigen Sie es sicher. Ziehen Sie die Kontermuttern NICHT zu fest an.
3. Kippen Sie den Generator langsam, so dass er auf den Rädern und dem Stützbein aufliegt.



Anschließen der Batterie (Nur für Elektrostart-Modelle)

1. Entfernen Sie die Schutzabdeckung vom roten (+) Kabel am Akku.
2. Befestigen Sie die rote (+)Leitung an der roten (+)-Klemme an der Batterie mit der Flanschschraube und sichern Sie sie mit der Flanschmutter.
3. Wiederholen Sie die Schritte 1-2 für das schwarze (-) Batteriekabel.

Motoröl hinzufügen

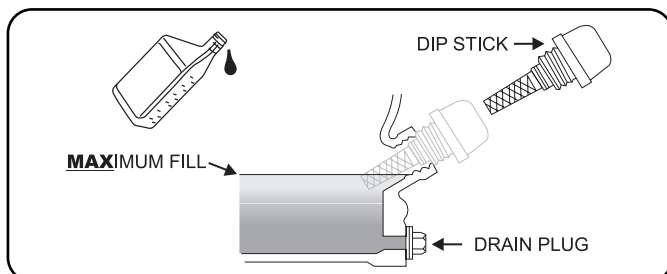
! VORSICHT

Versuchen Sie NICHT, den Motor zu kurbeln oder zu starten, bevor er nicht ordnungsgemäß mit der empfohlenen Art und Menge an Öl gefüllt wurde. Schäden am Generator, die durch Nichtbeachtung dieser Anweisungen verursacht werden, führen zum Erlöschen der Garantie.

HINWEIS

Die empfohlene Ölart ist 10W-30 Automobilöl.

1. Stellen Sie den Generator auf eine ebene, ebene Fläche.
2. Öleinfülldeckel/Messstab entfernen, um Öl hinzuzufügen.
3. Öl nachfüllen und Öleinfülldeckel/Messstab wieder einsetzen. NICHT ÜBERFÜLLEN.
4. Den Motorölstand täglich überprüfen und bei Bedarf nachfüllen.



HINWEIS

Nach dem Einfüllen des Öls sollte eine Sichtkontrolle zeigen, dass das Öl ca. 1-2 Gewindegänge aus der Einfüllöffnung ausläuft. Wenn Sie den Ölmesstab zur Ölstandskontrolle verwenden, schrauben Sie den Ölmesstab während der Kontrolle NICHT ein.

VORSICHT

Der Motor ist mit einer Niedrig-Öl-Abschaltung ausgestattet und stoppt, wenn der Ölstand im Kurbelgehäuse den Schwellenwert unterschreitet.

Motoröl hinzufügen Fortsetzung

HINWEIS

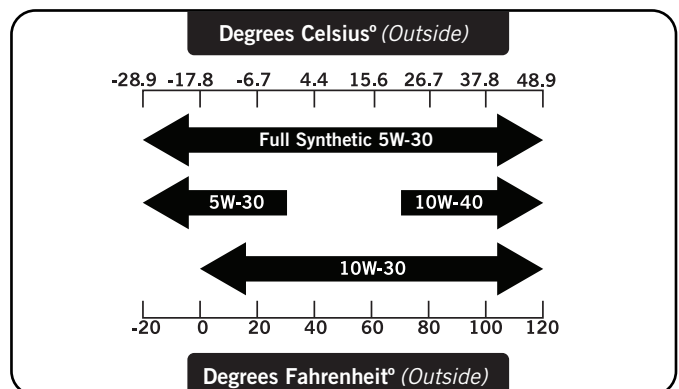
Überprüfen Sie das Öl regelmäßig während der Einlaufphase. Empfohlene Wartungsintervalle finden Sie im Abschnitt Wartung.

HINWEIS

Der Generatorrotor verfügt über ein abgedichtetes, vorgeschmiertes Kugellager, das während der gesamten Lebensdauer des Lagers keine zusätzliche Schmierung benötigt.

HINWEIS

Wir betrachten die ersten 5 Stunden der Betriebszeit als Einlaufzeit für das Gerät. Während der Einlaufzeit bleiben Sie bei oder unter 50% der Betriebsleistung und variieren Sie die Last gelegentlich, damit die Statorwicklungen heizen und kühlen können. Das Anpassen der Last führt auch dazu, dass sich die Motordrehzahl ändert und die Kolbenringe sich setzen können. Nach der 5-stündigen Einlaufzeit das Öl wechseln.



HINWEIS

Das Wetter wird sich auf das Motoröl und die Motorleistung auswirken. Ändern Sie die Art des verwendeten Motoröls je nach Wetterlage entsprechend den Anforderungen des Motors.

HINWEIS

Synthetisches Öl kann nach der anfänglichen Einarbeitungszeit von 5 Stunden verwendet werden. Die Verwendung von synthetischem Öl verlängert nicht das empfohlene Ölwechselintervall.

Kraftstoff hinzufügen

1. Verwenden Sie sauberen, frischen, regelmäßigen bleifreien Kraftstoff mit einem Oktanzahl von mindestens 85 und einem Ethanolgehalt von weniger als 10 Vol.-%.
2. Mischen Sie KEIN Öl mit Kraftstoff.
3. Reinigen Sie den Bereich um den Tankdeckel.
4. Entfernen Sie den Tankdeckel.
5. Geben Sie den Kraftstoff langsam in den Tank. NICHT ÜBERFÜLLEN. Der Kraftstoff kann sich nach dem Befüllen ausdehnen. Ein Minimum von 1/4 Zoll. (6,4 mm) des im Tank verbleibenden Raums für die Kraftstoffausdehnung wird benötigt, mehr als 1/4 Zoll.(6,4 mm) wird empfohlen. Bei Überfüllung kann Kraftstoff durch Expansion aus dem Tank gedrückt werden und den stabilen Betriebszustand des Produkts beeinträchtigen. Beim Befüllen des Tanks wird empfohlen, genügend Platz für die Ausdehnung des Kraftstoffs zu lassen.

VORSICHT

Verwenden Sie bleifreies Normalbenzin mit einer Oktanzahl von mindestens 85.

Mischen Sie kein Öl und Benzin. Füllen Sie den Tank auf ca. 1/4 Zoll. (6,4 mm) unter der Oberseite des Tanks, um eine Kraftstoffausdehnung zu ermöglichen. Pumpen Sie KEIN Benzin direkt in den Generator an der Tankstelle. Verwenden Sie einen zugelassenen Behälter, um den Kraftstoff zum Generator zu transportieren. Füllen Sie den Kraftstofftank NICHT im Innenbereich. Den Kraftstofftank NICHT füllen, wenn der Motor läuft oder heiß ist. Den Kraftstofftank NICHT überfüllen. Beim Befüllen des Kraftstofftanks KEINE Zigaretten anzünden oder rauchen.

WARNUNG

Wenn Sie den Kraftstoff zu schnell durch das Kraftstoffsieb gießen, kann es beim Befüllen zu einem Rückschlag in Richtung des Bedieners kommen.

Kraftstoff hinzufügen (Fortsetzung)

HINWEIS

Unsere Motoren funktionieren gut mit 10% oder weniger Ethanolmischkraftstoffen. Bei der Verwendung von Mischbrennstoffen gibt es einige Besonderheiten zu beachten::

- E-Ethanol-Benzin-Gemische können mehr Wasser aufnehmen als Benzin allein.
- Diese Mischungen können sich schließlich trennen und Wasser oder einen wässrigen Schmiere im Tank, Kraftstoffventil und Vergaser zurücklassen.
- Bei schwerkraftgespeisten Kraftstoffzuführungen kann dieser gefährdete Kraftstoff in den Vergaser gesaugt werden und zu Schäden am Motor und/oder möglichen Gefahren führen.
- Es gibt nur wenige Anbieter von Kraftstoffstabilisatoren, die für den Einsatz mit Ethanolmischkraftstoffen entwickelt wurden.
- Jegliche Schäden oder Gefahren, die durch die Verwendung von unsachgemäßem Kraftstoff, unsachgemäß gelagertem Kraftstoff und/oder anderen Materialien verursacht werden.oder falsch formulierte Stabilisatoren, fallen nicht unter die Herstellergarantie.

Es ist ratsam, die Kraftstoffzufuhr immer abzuschalten, den Motor auf Kraftstoffmangel einzustellen und den Tank zu entleeren, wenn das Gerät länger als 30 Tage nicht benutzt wird.

Erdung

Ihr Generator muss ordnungsgemäß an eine geeignete Erdung angeschlossen sein, um einen elektrischen Schlag zu vermeiden.

WARNUNG

Eine unzureichende Erdung des Generators kann zu einem elektrischen Schlag führen.

Eine Erdungsklemme, die mit dem Rahmen des Generators verbunden ist, ist auf dem Fronpanel vorgesehen. Für die Fernerdung verbinden Sie einen Kupferdraht mit einer Länge von schwerem Durchmesser (mindestens 12 AWG) zwischen dem Generator- Masseanschluss und einer in die Erde eingetriebenen Kupferstange. Wir empfehlen dringend, dass Sie sich an einen qualifizierten Elektriker wenden, um die Einhaltung der örtlichen Vorschriften zu gewährleisten.

Standort des Generators

Betreiben Sie den Generator niemals in einem Gebäude! (Siehe Abschnitt Sicherheitshinweise). In einigen Bereichen müssen Generatoren beim örtlichen Versorgungsunternehmen registriert werden. Generatoren, die auf Baustellen eingesetzt werden, können den örtlichen Vorschriften und Vorschriften unterliegen. Das Gerät auf einem flachen, ebenen Untergrund aufstellen. Der Generator muss einen Mindestabstand von 1,5 m (5 ft) zu allen brennbaren Materialien aufweisen. Darüber hinaus müssen sie auf allen Seiten einen Freiraum von mindestens 91,4 cm (3 ft) gewährleisten, um eine ausreichende Kühlung, Wartung und Instandhaltung zu ermöglichen. Generatoren sollten niemals an einem Ort gestartet oder betrieben werden, der eine ausreichende Kühlung des Generators und/oder des Auspuffs nicht zulässt. Lassen Sie die Generatoren vor der Lagerung oder dem Transport abkühlen. Stellen Sie den Generator nicht in der Nähe von Lüftungsschlitzen oder Einlässen auf. Bei der Aufstellung des Generators sind Wind- und Luftströme sorgfältig zu berücksichtigen.

Bei Nichtbeachtung der entsprechenden Sicherheitsvorkehrungen kann die Herstellergarantie erlöschen.

WARNUNG

Betreiben oder lagern Sie den Generator nicht bei Regen, Schnee oder Nässe.

Die Verwendung eines Generators oder eines elektrischen Geräts bei nassen Bedingungen, wie Regen oder Schnee, oder in der Nähe eines Beckens oder einer Sprinkleranlage, oder wenn Ihre Hände nass sind, kann zu einem Stromschlag führen.

WARNUNG

Während des Betriebs werden der Schalldämpfer und die entstehenden Abgase heiß. Werden keine ausreichenden Kühl- und Atemräume zur Verfügung gestellt, oder ist der Generator blockiert oder eingedämmt, können sich die Temperaturen stark erwärmen und zu Bränden führen.

Erdung

Die Masse des Generatorsystems verbindet den Rahmen mit den Erdungsklemmen auf dem Bedienfeld. Die Systemmasse ist mit dem AC-Neutralleiter verbunden.

Überspannungsschutz

VORSICHT

Spannungsschwankungen können die einwandfreie Funktion empfindlicher elektronischer Geräte beeinträchtigen.

Elektronische Geräte, einschließlich Computer und viele programmierbare Geräte, verwenden Komponenten, die für den Betrieb innerhalb eines engen Spannungsbereichs ausgelegt sind und von kurzzeitigen Spannungsschwankungen beeinträchtigt werden können. Obwohl es keine Möglichkeit gibt, Spannungsschwankungen zu verhindern, können Sie Maßnahmen zum Schutz empfindlicher elektronischer Geräte ergreifen.

Installieren Sie UL1449, CSA-gelistete, steckbare Überspannungsableiter an den Anschlüssen, die Ihre empfindlichen Geräte versorgen. Überspannungsableiter gibt es in Ausführungen mit einem oder mehreren Ausgängen. Sie wurden entwickelt, um gegen nahezu alle kurzzeitigen Spannungsschwankungen zu schützen.

Starten des Motors

1. Vergewissern Sie sich, dass sich der Generator auf einem flachen, ebenen Untergrund befindet.
2. Trennen Sie alle elektrischen Verbraucher vom Generator. Starten oder stoppen Sie den Generator niemals, wenn elektrische Geräte angeschlossen oder eingeschaltet sind.
3. Drehen Sie das Kraftstoffventil in die Position "ON".
4. Den Chokehebel in die Position "CHOKE" stellen.
5. Drehen Sie den Zündschalter in die Position "ON".
6. Bei Modellen mit elektrischem Start: Halten Sie den Zündschalter in die Position "START". Lassen Sie sie los, wenn der Motor anfängt, sich zu drehen. Wenn der Motor innerhalb von fünf Sekunden nicht startet, lassen Sie den Schalter los und warten Sie mindestens zehn Sekunden, bevor Sie versuchen, den Motor erneut zu starten.
7. Seilzugstart: Ziehen Sie das Starterseil langsam, bis ein Widerstand spürbar ist, und ziehen Sie dann schnell.
8. Nicht zu viel Choke geben. Sobald der Motor startet, den Chokehebel in die Position "RUN" bringen.

Starten des Motors (Fortsetzung)

HINWEIS

Halten Sie die Choke in der Position "Choke" nur für 1 Zug des Seilzugstarters. Nach dem ersten Zug schieben Sie die Choke für die nächsten drei Züge des Seilzugstarters ein. Zu viel Choke führt zu Zündkerzenverschmutzung / Motorüberflutung aufgrund des Fehlens von Zuluft. Dadurch wird der Motor nicht gestartet.

HINWEIS

Die mitgelieferte 12V 7AH-Batterie lädt sich bei laufendem Motor wieder auf, aber es wird auch empfohlen, die Batterie mindestens einmal im Monat vollständig aufzuladen.

HINWEIS

Wenn sich der Batterieschalter in der Position "ON" befindet, leuchtet der Schalter auf, wenn die Batterie eine Ladung abgibt. Wenn der Schalter in der Position "ON" nicht leuchtet, überprüfen Sie, ob der Batterieanschluss in Ordnung ist.

HINWEIS

Wenn der Motor startet, aber nicht weiterläuft, stellen Sie sicher, dass sich der Generator auf einer ebenen, ebenen Fläche befindet. Der Motor ist mit einem Ölmangel-Sensor ausgestattet, der verhindert, dass der Motor läuft, wenn der Ölstand einen kritischen Schwellenwert unterschreitet..

Anschließen von elektrischen Verbrauchern

1. Lassen Sie den Motor nach dem Start für einige Minuten stabilisieren und erwärmen.
2. Stecken Sie die gewünschten, einphasigen 220V 50Hz Verbraucher ein und schalten Sie sie ein.
 - Schließen Sie KEINE 3-phasigen Lasten an den Generator an.
 - Schließen Sie KEINE 60 Hz Lasten an den Generator an
 - Den Generator NICHT überlasten.

Anschließen von elektrischen Verbrauchern (Fortsetzung)

HINWEIS

Der Anschluss eines Generators an die Stromleitungen Ihres Energieversorgungsunternehmens oder an eine andere Stromquelle kann rechtswidrig sein. Hinzu kommt, dass bei unsachgemäßer Anwendung der Generator sowie angeschlossene Geräte beschädigt werden können. Des Weiteren kann dies zu schweren Verletzungen oder sogar zum Tod für Sie oder einen Elektriker führen, der an nahegelegenen Stromleitungen arbeitet. Wenn Sie planen, einen tragbaren Stromerzeuger während eines Stromausfalls zu betreiben, benachrichtigen Sie bitte sofort Ihr Energieversorgungsunternehmen und denken Sie daran, Ihre Geräte direkt an den Generator anzuschließen. Schließen Sie den Generator nicht an eine Steckdose in Ihrem Haus an. Auf diese Weise könnte eine Verbindung zum Energieversorger hergestellt werden. Sie sind dafür verantwortlich, dass der Strom Ihres Generators nicht in die Stromleitungen der Elektrizitätswerke zurückgespeist wird. Wenn der Generator an eine gebäudetechnische Anlage angeschlossen wird, wenden Sie sich an Ihr örtliches Versorgungsunternehmen oder einen qualifizierten Elektriker. Die Anschlüsse müssen die Generatorleistung von der Netzleistung trennen und alle geltenden Gesetze und Vorschriften einhalten.

Stoppen des Motors

1. Schalten Sie alle elektrischen Verbraucher aus und ziehen Sie den Netzstecker. Starten oder stoppen Sie den Generator niemals, wenn elektrische Geräte angeschlossen oder eingeschaltet sind.
2. Lassen Sie den Generator einige Minuten im Leerlauf laufen, um die Innentemperaturen von Motor und Generator zu stabilisieren.
3. Drehen Sie den Benzinhahn in die Position "AUS".
4. Lassen Sie den Motor laufen, bis der Kraftstoffmangel den Motor gestoppt hat. Dies dauert in der Regel einige Minuten.
5. Drücken Sie den Zündschalter in die Position "OFF".

Wichtig: Stellen Sie immer sicher, dass sich das Kraftstoffventil, der Zündschalter und der Batterieschalter in der Position "AUS" befinden, wenn der Motor nicht in Betrieb ist.

HINWEIS

Wenn der Motor für einen Zeitraum von zwei (2) Wochen oder länger nicht benutzt wird, lesen Sie bitte im Abschnitt Lagerung nach, wie Sie den Motor und den Kraftstoff ordnungsgemäß lagern können.

Generator nicht überlasten

Kapazität

Befolgen Sie diese einfachen Schritte, um die für Ihre Zwecke erforderlichen Lauf- und Startwerte zu berechnen.

1. Wählen Sie die elektrischen Geräte aus, die Sie gleichzeitig betreiben möchten.
2. Addieren Sie die Laufleistung in Watt dieser Geräte. Diese Wattleistung wird benötigt um die Verbraucher am laufen zu halten.
3. Identifizieren Sie die höchste Anlaufleistung aller in Schritt 1 genannten Geräte. Fügen Sie diese Zahl zu der in Schritt 2 berechneten Summe hinzu. Die Spitzenleistung ist der zusätzliche Leistungsschub, der benötigt wird, um einige elektrisch betriebene Geräte zu starten. Wenn Sie die unter "Power Management" aufgeführten Schritte ausführen, wird sichergestellt, dass jeweils nur ein Gerät gestartet wird.

Energie Management

Verwenden Sie die folgende Formel, um Spannung und Stromstärke in Watt umzuwandeln:

$$\text{Volt} \times \text{Ampere} = \text{Watt}$$

Um die Lebensdauer Ihres Generators und der angeschlossenen Geräte zu verlängern, führen Sie diese Schritte aus, um elektrische Verbraucher hinzuzufügen:

1. Starten Sie den Generator ohne angeschlossene elektrische Last.
2. Lassen Sie den Motor einige Minuten laufen, um sich zu stabilisieren.
3. Schließen Sie den Verbraucher mit der höchsten elektrischen Last zuerst an.
4. Lassen Sie den Motor stabilisieren.
5. Schließen Sie den nächsten Verbraucher an
6. Lassen Sie den Motor stabilisieren.
7. Wiederholen Sie die Schritte 5-6 für jede weiteren Verbraucher.

Betrieb in großer Höhe

Beachten Sie, dass der Motorwirkungsgrad bei Arbeiten in großer Höhe reduziert werden kann und die Abgasemissionen steigen. Andere Probleme in großer Höhe können erschwertes Starten, erhöhter Kraftstoffverbrauch und Verschmutzung der Zündkerze sein. Dies ist ein natürlicher Trend und kann durch die Motoreinstellung nicht verändert werden.

Eine wichtige Nachricht über die Temperatur

Ihr Champion Power Equipment Produkt ist für den Dauerbetrieb bei Umgebungstemperaturen bis zu 40°C (104°F) entwickelt und ausgelegt. Wenn Ihr Produkt benötigt wird, kann Ihr Produkt für kurze Zeit bei Temperaturen von -15°C (5°F) bis 50°C (122°F) betrieben werden. Wenn das Produkt während der Lagerung Temperaturen außerhalb dieses Bereichs ausgesetzt ist, sollte es vor dem Betrieb wieder in diesen Bereich gebracht werden. In jedem Fall muss das Produkt immer im Freien, in einem gut belüfteten Bereich und fernab von Türen, Fenstern und anderen Lüftungsöffnungen betrieben werden.

HINWEIS

Überschreiten Sie niemals die angegebene Kapazität, wenn Sie dem Generator Lasten hinzufügen.

WARTUNG & LAGERUNG

Der Eigentümer/Betreiber ist für alle regelmäßigen Wartungsarbeiten verantwortlich.

⚠️ WARNUNG

Betreiben Sie niemals einen beschädigten oder defekten Generator.

⚠️ WARNUNG

Manipulationen am werkseitig eingestellten Regler führen zum Erlöschen der Garantie.

⚠️ WARNUNG

Unsachgemäße Wartung führt zum Erlöschen der Garantie.

💬 HINWEIS

Die Wartung, der Austausch oder die Reparatur von emissionsmindernden Vorrichtungen und Systemen darf nur von Fachleuten durchgeführt werden.

Führen Sie alle geplanten Wartungsarbeiten rechtzeitig durch. Beheben Sie alle Probleme, bevor Sie den Generator in Betrieb nehmen.

Motorwartung

Um ein versehentliches Starten zu verhindern, entfernen und erden Sie das Zündkerzenkabel, bevor Sie eine Wartung durchführen.

Öl

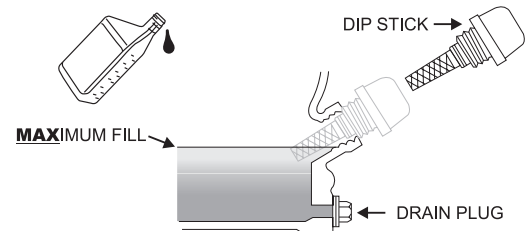
Wechseln Sie das Öl, wenn der Motor warm ist. Lesen Sie die Ölspezifikation, um die richtige Ölart für Ihre Betriebsumgebung auszuwählen.

1. Entfernen Sie die Ölablassschraube mit einem 15-mm-Steckschlüssel und Verlängerung (nicht im Lieferumfang enthalten).
2. Lassen Sie das Öl vollständig ablaufen.
3. Setzen Sie die Ablassschraube wieder ein.
4. Öleinfülldeckel/Messstab entfernen, um Öl hinzuzufügen.
5. Öl nachfüllen und Öleinfülldeckel/Messstab wieder einsetzen. NICHT ÜBERFÜLLEN.
6. Entsorgen Sie Altöl in einer zugelassenen Entsorgungseinrichtung.

Öl (Fortsetzung)

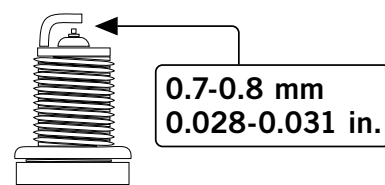
💬 HINWEIS

Nach dem Einfüllen des Öls sollte eine Sichtkontrolle zeigen, dass das Öl ca. 1-2 Gewindegänge aus der Einfüllöffnung ausläuft. Wenn Sie den Ölmesstab zur Ölstandskontrolle verwenden, schrauben Sie den Ölmesstab während der Kontrolle NICHT ein.



Zündkerze

1. Entfernen Sie das Zündkerzenkabel von der Zündkerze.
2. Entfernen Sie den Stecker.
3. Überprüfen Sie die Elektrode am Stecker. Er muss sauber und nicht abgenutzt sein, um den für die Zündung erforderlichen Funken zu erzeugen.
4. Siehe Informationen zur Zündkerze auf der Seite "Spezifikation" für dieses Modell.
5. Den Stopfen vorsichtig in den Motor einschrauben.
6. Verwenden Sie das Zündkerzenwerkzeug (nicht im Lieferumfang enthalten), um die Kerze festzuziehen.
7. Befestigen Sie das Zündkerzenkabel an der Kerze.



OEM-Zündkerze: F6RTC

Ersatz-Zündkerze: NGK BPR6ES oder gleichwertig

Stellen Sie sicher, dass die Zündkerzenlücke 0,7 - 0,8 mm oder (0,028 - 0,031 in.) beträgt.

Wartung Ventilspielraum

- Einlass 0.13 - 0.17 mm (0.005 - 0.007 in.)
- Auspuff: 0.18 - 0.22 mm (0.007 - 0.009 in.)

Air Filter

1. Entfernen Sie die aufsteckbare Abdeckung, die den Luftfilter an der Baugruppe hält.
2. Entfernen Sie das Schaumstoffelement.
3. In flüssigem Reinigungsmittel und Wasser waschen. In einem sauberen Tuch gründlich trocknen lassen.
4. In sauberem Motoröl sättigen.
5. Drücken Sie ein sauberes, saugfähiges Tuch ein, um überschüssiges Öl zu entfernen.
6. Setzen Sie den Filter in die Baugruppe ein.
7. Befestigen Sie die Luftfilterabdeckung wieder und rasten Sie ein.

Funkenschutz

1. Lassen Sie den Motor vollständig abkühlen, bevor Sie den Funkenschutz warten.
2. Entfernen Sie die beiden Schrauben, die die Abdeckplatte halten, die das Ende des Funkenschutzes am Schalldämpfer hält.
3. Entfernen Sie das Sieb des Funkenschutzes.
4. Entfernen Sie die Kohlenstoffablagerungen vom Funkenschutzsieb vorsichtig mit einer Drahtbürste.
5. Ersetzen Sie den Funkenschutz, wenn er beschädigt ist.
6. Positionieren Sie den Funkenschutz im Schalldämpfer und befestigen Sie ihn mit den beiden Schrauben.

VORSICHT

Wenn der Funkenschutz nicht gereinigt wird, führt dies zu einer Verschlechterung der Motorleistung.

HINWEIS

Bundes- und landesweite Gesetze und Verwaltungsvorschriften legen fest, wann und wo Funkenfänger erforderlich sind.

Reinigung

VORSICHT

Besprühen Sie den Generator NICHT mit Wasser.

Wasser kann das Kraftstoffsystem verunreinigen.

Verwenden Sie ein feuchtes Tuch, um die Außenflächen des Generators zu reinigen. Verwenden Sie eine weiche Borstenbürste, um Schmutz und Öl zu entfernen. Verwenden Sie einen Luftkompressor (25 PSI), um Schmutz und Ablagerungen aus dem Generator zu entfernen.

Anpassungen

Das Luft-Kraftstoff-Gemisch ist nicht einstellbar. Manipulationen am Regler können Ihren Generator und Ihre elektrischen Geräte beschädigen und führen zum Erlöschen der Garantie.

Wartungsplan

Befolgen Sie die in der folgenden Wartungsübersicht angegebenen Wartungsintervalle.

Warten Sie Ihren Generator häufiger, wenn Sie unter widrigen Bedingungen arbeiten.

Alle 8 Stunden oder täglich	
	Ölstand prüfen
	Reinigen Sie den Lufteinlass und den Schalldämpfer.
Erste 5 Stunden	
	Ölwechsel
Alle 50 Stunden oder zu jeder Jahreszeit	
	Luftfilter reinigen
	Ölwechsel, bei Betrieb unter hoher Last oder in heißer Umgebung
Alle 100 Stunden oder zu jeder Jahreszeit	
	Ölwechsel
	Zündkerze reinigen/einstellen
	Ventilspiel prüfen/einstellen*.
	Funkenschutz reinigen
	Kraftstofftank und Filter reinigen*.
Alle 250 Stunden	
	Brennkammer reinigen*
Alle 3 Jahre	
	Ersetzen Sie die Kraftstoffleitung und den LPG-Schlauch.

*Ausführung durch sachkundige, erfahrene Eigentümer oder von Champion Power Equipment zertifizierte Händler.

Wartung des Generators

Stellen Sie sicher, dass der Generator sauber gehalten und ordnungsgemäß gelagert wird. Betreiben Sie das Gerät nur auf einem flachen, ebenen Untergrund in einer sauberen, trockenen Betriebsumgebung. Setzen Sie das Gerät NICHT extremen Bedingungen, übermäßigem Staub, Schmutz, Feuchtigkeit oder korrosiven Dämpfen aus.

VORSICHT

Verwenden Sie KEINEN Gartenschlauch zur Reinigung

Durch die Kühlschlitze kann Wasser in den Generator eindringen und die Generatorwicklungen beschädigen.

Verwenden Sie ein feuchtes Tuch, um die Außenflächen des Generators zu reinigen. Verwenden Sie eine weiche Borstenbürste, um Schmutz und Öl zu entfernen. Verwenden Sie einen Luftkompressor (25 PSI), um Schmutz und Ablagerungen aus dem Generator zu entfernen. Überprüfen Sie alle Lüftungsöffnungen und Kühlschlitze auf Sauberkeit und Unversehrtheit.

Lagerung

Der Generator sollte mindestens einmal alle 14 Tage gestartet und mindestens 20 Minuten laufen gelassen werden. Für eine längerfristige Lagerung beachten Sie bitte diese Richtlinien.

Lagerung des Generators

1. Fügen Sie einen Kraftstoffstabilisator in den Tank.
2. Stellen Sie sicher, dass alle Geräte vom Generator getrennt sind.
3. Lassen Sie den Generator für einige Minuten laufen, damit der behandelte Kraftstoff durch das Kraftstoffsystem und den Vergaser fließt.
4. Drehen Sie das Kraftstoffventil in die Position "Aus".
5. Lassen Sie den Generator laufen, bis der Kraftstoffmangel den Motor gestoppt hat. Dies dauert in der Regel einige Minuten.
6. Der Generator muss vor der Reinigung und Lagerung vollständig abgekühlt sein.
7. Entfernen Sie den Zündkerzenstecker und ziehen Sie dann 3 mal am Rückstoßgriff, um das Benzin aus den Vergaserdüsen abzulassen.
8. Wechseln Sie das Motoröl.
9. Entfernen Sie die Zündkerze und gießen Sie etwa einen Esslöffel Öl in den Zylinder. Starten Sie den Motor langsam, um das Öl zu verteilen und den Zylinder zu schmieren.
10. Setzen Sie die Zündkerze wieder ein.
11. Lagern Sie das Gerät an einem sauberen, trockenen Ort und vor direkter Sonneneinstrahlung geschützt.



GEFAHR

Das Abgas des Generators enthält geruchloses und farbloses Kohlenmonoxidgas.

Um ein versehentliches oder unbeabsichtigtes Zünden Ihres Fernstartgenerators während der Lagerung zu vermeiden, sollten die folgenden Vorsichtsmaßnahmen getroffen werden:

- Wenn Sie den Generator für kurze Zeit aufbewahren, stellen Sie sicher, dass der Zündschalter, das Kraftstoffventil und der Batterieschalter auf AUS stehen.
- Bei längerer Lagerung des Generators ist darauf zu achten, dass der Zündschalter, das Kraftstoffventil und der Batterieschalter auf AUS gestellt sind und die Batterieleitungen von der Batterie getrennt wurden.

Batterie

Einige Rahmengeneratoren sind mit einer automatischen Batterieladeschaltung ausgestattet. Die Batterie erhält bei laufendem Motor eine Ladespannung. Der Akku hält die Ladung aufrecht, wenn das Gerät regelmäßig (etwa alle zwei Wochen) benutzt wird. Wenn die Batterie weniger häufig verwendet wird, sollte sie an ein Erhaltungsladegerät angeschlossen werden, um die Batterie richtig aufzuladen. Wenn die Batterie nicht in der Lage ist, den Motor zu starten, kann sie durch manuelles Ziehen am Seilzug gestartet werden. Wenn die Batteriespannung extrem niedrig ist, kann der Ladekreis die Batterie möglicherweise nicht wieder aufladen. In diesem Fall muss die Batterie an ein handelsübliches Batterieladegerät angeschlossen werden, um sie wieder aufzuladen, bevor sie verwendet werden kann.

Laden der Batterie

Bei einem Generator, der mit Batterien für den elektrischen Start ausgestattet ist, ist die ordnungsgemäße Wartung und Lagerung der Batterie zu beachten. Zum Aufladen der Batterie sollte ein automatisches Ladegerät (im Lieferumfang enthalten) mit automatischer Ladefunktion verwendet werden. Die maximale Ladeleistung sollte 1,5 Ampere nicht überschreiten. Befolgen Sie die Anweisungen, die dem Batterieladegerät beiliegen. Die Batterie sollte mindestens einmal im Monat vollständig geladen werden.



HINWEIS

Ein Batterieladeerhaltungsgerät hält den Batteriezustand über lange Lagerzeiten aufrecht.

Batterie abklemmen

1. Entfernen Sie die Schutzabdeckung vom schwarzen/negativen Batteriekabel.
2. Trennen Sie das schwarze/negative Kabel von der schwarzen/negativen Klemme der Batterie und bewahren Sie die Zylinderschraube und die Mutter auf.
3. Wiederholen Sie die Schritte 1-2 für das rot/positive Batteriekabel.
4. Bewahren Sie die Batterie an einem kühlen, trockenen Ort auf.

Problem	Ursache	Lösung
Der Generator startet nicht.	Kein Kraftstoff	Kraftstoff hinzufügen
	Defekte Zündkerze	Zündkerze ersetzen
	Verbraucher beim Start angeschlossen	Verbraucher vom Gerät trennen
Der Generator startet nicht; Der Generator startet, läuft aber unrund.	Niedriger Ölstand	Kurbelgehäuse auf die richtige Höhe befüllen
		Stellen Sie den Generator auf einen flachen, ebenen Untergrund.
	Choke in der falschen Position	Choke korrekt einstellen
Der Generator startet nicht per Funkstart.	Zündkerzenkabel lose	Kabel an der Zündkerze befestigen
	Die Batterie der Fernbedienung ist leer.	Batterie der Fernbedienung ersetzen
	Generatorbatterie ist leer	Generatorbatterie aufladen
Der Generator startet nicht elektrisch.	Der Batterieschalter befindet sich in der Position "OFF"	Batterieschalter auf die Position "ON" stellen.
	Generatorbatterie ist leer	Generatorbatterie aufladen
Der Generator schaltet sich während des Betriebs ab.	Der Batterieschalter befindet sich in der Position "OFF"	Batterieschalter auf die Position "ON" stellen.
	Kein Kraftstoff mehr	Kraftstofftank füllen
Der Generator kann nicht genügend Leistung liefern oder überhitzt.	Niedriger Ölstand	Kurbelgehäuse bis zum richtigen Niveau befüllen. Stellen Sie den Generator auf einen flachen, ebenen Untergrund.
	Generator ist überlastet	Überprüfen Sie die Last und passen Sie sie an. Siehe "Energiemanagement".
Keine AC-Leistung.	Unzureichende Belüftung	Überprüfen Sie die Luft einschränkung. Stellen Sie den Generator in einen gut belüfteten Bereich.
	Kabel nicht richtig angeschlossen	Überprüfen Sie alle Verbindungen
	Angeschlossener Verbraucher ist defekt	Defekten Verbraucher ersetzen
	Der Leistungsschalter ist ausgeschaltet	Leistungsschalter zurücksetzen
	Lose Verkabelung	Überprüfen und festziehen der Kabelverbindungen
Wiederholtes Auslösen des Leistungsschalters.	Sonstiges	Kontaktieren Sie die Hotline
	Überlastung	Überprüfen Sie die Last und passen Sie sie an. Siehe "Energiemanagement".
	Fehlerhafte Kabel oder Verbraucher	Überprüfen Sie, ob die Drähte beschädigt, blank oder ausgefranst sind. Defekte Verbraucher ersetzen

INTRODUCTION

Introduksjon

Gratulerer med kjøpet av generatoren din. Vedlikeholdes på riktig måte.

Bærbar strømgenerator

Denne enheten er en bensindrevet AC-generator som brukes til strømforsyning.

Tilbehør

CPE produserer og leverer en rekke tilbehør. Kontakt din lokale forhandler for mer informasjon.

Dette heftet

Vi forbeholder oss retten til å endre, tilføye eller forbedre produktet og denne håndboken uten nærmere varsel.

Skriv ned modellen og serienumrene, i tillegg til kjøpsdato og -sted for fremtidig bruk. Ha denne informasjonen tilgjengelig ved bestilling av deler og ved tekniske forespørsler eller garantispørsmål.

Champion Power Equipment Support
Modellnummer
Serienummer
Kjøpsdato
Kjøpssted
For oljetype , se avsnittet "Fyll på olje". For drivstofftype , se avsnittet "Fyll på drivstoff".

Gjør deg selv kjent med følgende symboler. Sikkerhetssymbolet og nøkkelordene er sikkerhetsadvarsler. Følg alle sikkerhetsmeldinger for å unngå ulykker eller personskade.

DANGER

FARE indikerer en farlig situasjon som, hvis den ikke unngås, **vil** føre til død eller alvorlig personskade.

WARNING

ADVARSEL indikerer en farlig situasjon som, hvis den ikke unngås, **kan** føre til død eller alvorlig personskade.

CAUTION

FORSIKTIG indikerer en farlig situasjon som, hvis den ikke unngås, **kan** føre til en mindre eller moderat personskade.

CAUTION

FORSIKTIG brukt uten symbolet for sikkerhetsvarsel indikerer en potensielt farlig situasjon, som hvis den ikke unngås, **kan** føre til skade på eiendom.

NOTE

Dersom du har spørsmål angående generatoren din, kan vi bistå. Kontakt din lokale forhandler.

SAFETY RULES

WARNING

Les denne håndboken grundig før du tar i bruk generatoren din. Unnlater du å følge instruksjonene kan det føre til alvorlig personskade eller død.

WARNING

Motoravgassene fra dette produktet inneholder kjemikalier som er kjent for å forårsake alvorlige helseproblemer og død.

DANGER

Generatoreksos inneholder karbonmonoksid, en fargeløs, luktfri og giftig gass. Innånding av karbonmonoksid vil føre til kvalme, svimmelhet, besvimelse eller død. Hvis du begynner å føle deg svimmel eller svak, kom deg til frisk luft umiddelbart.

Generatoren skal kun brukes utendørs, på et godt ventilert område.

IKKE bruk generatoren inne i eventuelle bygninger, inkludert garasjer, kjellere, krypkjellere og skur, lukkede rom eller liknende. Dette gjelder også generatorrommet i campingbiler.

IKKE la eksosgasser trenge inn i trange rom via vinduer, dører, ventilasjonsluker eller andre åpninger.

FARE KARBONMONOKSID: Å bruke en generator innendørs KAN TA LIVET AV DEG I LØPET AV MINUTTER.

DANGER

Roterende deler kan ta tak i hender, føtter, hår, klær og/eller tilbehør. Det kan føre til alvorlige sårskader eller amputasjon.

Hold hender og føtter vekk fra roterende deler. Sett opp langt hår og fjern smykker. Utstyret skal bare brukes med vern montert. IKKE ha på deg løstsittende plagg, hengende snorer eller ting som kan bli fanget.

DANGER

Generatoren produserer kraftig spenning.

IKKE berør uisolerte ledninger eller kontakter. IKKE bruk elektriske ledninger som er slitt, skadet eller frynsete.

IKKE bruk generatoren i fuktig vær. IKKE la barn eller ukvalifisert personell betjene eller vedlikeholde generatoren

Bruk en jordfeilbryter (GFCI) i fuktige områder og områder som inneholder ledende materiale, slik som metalldekke.

Bruk godkjent overføringsutstyr til å isolere generatoren fra strømmettet, og gi beskjed til nettselskapet ditt før du kobler generatoren til strømsystemet ditt.

WARNING

Gnister kan forårsake brann eller elektrisk støt.

Ved service på generatoren:

Koble fra tennpluggkabelen og plasser den et sted der den ikke kan komme i kontakt med pluggen. IKKE se etter gnist med tennpluggen tatt av. Bruk bare godkjente tennpluggtestere.

WARNING

Motorer som går produserer varme. Alvorlige brannskader kan oppstå ved kontakt. Brennbare materialer kan ta fyr ved kontakt.

IKKE berør varme overflater.

Unngå kontakt med varme avgasser.

La utstyret avkjøles før berøring.

Sørg for å holde minst 1 meters klaring på alle sider for å sikre tilstrekkelig kjøling.

Sørg for å holde minst 1,5 meters avstand til brennbare materialer.

WARNING

Medisinsk bruk.

Ved nødstilfelle, ring nødetatene umiddelbart.

ALDRI bruk dette produktet til å forsyne livreddende utstyr eller redningsapparater med strøm.

ALDRI bruk dette produktet til å forsyne medisinsk utstyr med strøm.

Informér strømleverandøren din umiddelbart hvis du eller andre i husholdningen din er avhengig av elektrisk utstyr for å holde seg i live.

Informér strømleverandøren din umiddelbart dersom tap av strøm fører til at du eller andre i husholdningen din kan få et medisinsk nødtilfelle.

⚠ DANGER

Drivstoff og dampen fra dette er svært lettantennelig og ekstremt eksplosivt. Brann eller eksplosjon kan føre til alvorlige brannskader eller død. Utsiktet oppstart kan føre til sammenfiltring, amputasjon eller sårskader.

Ved påfylling eller fjerning av drivstoff:

Slå av generatoren og la den avkjøle seg i minst to minutter før bensinlokket fjernes. Løsne lokket sakte for å slippe ut trykket i tanken.

Det skal bare fylles eller tappes bensin på steder som er godt ventilert.

IKKE fyll bensin direkte på generatoren fra bensinstasjonen. Bruk en godkjent beholder til å fylle drivstoff på generatoren.

IKKE fyll for mye på bensintanken.

Drivstoff skal alltid holdes vekk fra gnister, åpne flammer, gassbrennere, varme og andre antennelseskilder.

IKKE tenn opp eller røyk sigaretter.

Ved oppstart av generatoren:

IKKE forsøk å starte en skadet generator.

Påse at bensinlokket, luftfilteret, tennpluggen, drivstoffslangene og eksossystemet er på plass.

Sørg for at bensinsøl får tid til å fordampe fullstendig før motoren blir forsøkt startet.

Forsikre deg om at generatoren står på et jevnt underlag.

Ved bruk av generatoren:

IKKE bevege eller velt generatoren under drift.

IKKE velt generatoren eller søl bensin eller olje.

Ved transport eller service på generatoren:

Sørg for at drivstoffventilen står i AV-posisjon og at bensintanken er tom.

Koble fra tennpluggkabelen.

Ved oppbevaring av generatoren:

Oppbevares vekk fra gnister, åpne flammer, gassbrennere, varme og andre antennelseskilder.

⚠ WARNING

Drift av dette utstyret kan skape gnister som kan starte brann i tørr vegetasjon.

En gnistfanger kan være påkrevd. Brukeren bør kontakte det lokale brannvesenet for opplysninger om lover eller forskrifter relatert til brannvernstiltak.

⚠ WARNING

Rask tilbaketrekking av startsnoren trekker hånd og arm mot motoren raskere enn du klarer å slippe. Utsiktet oppstart kan føre til alvorlig skade. Det kan føre til brukne bein, frakturer, blåmerker eller forstuinger.

Ved start av motoren, dra startsnoren sakte til motstand dannes, trekk deretter raskt for å unngå tilbakeslag.

IKKE start eller stopp motoren med elektriske apparater tilkoblet.

! CAUTION

Overskridelse av generatorens driftskapasitet kan skade generatoren og/eller eventuelle elektriske apparater som er koblet til den.

IKKE overbelast generatoren.

Start generatoren og la motoren stabilisere seg før tilkobling av elektrisk belastning.

Koble til elektrisk utstyr i avslått posisjon, slå det deretter på for å bruke det.

Slå elektrisk utstyr av før generatoren stoppes. IKKE tukle med den innstilte hastigheten.

IKKE modifier generatoren på noen som helst måte.

! CAUTION

Feil behandling eller bruk av generatoren kan skade den, redusere levetiden eller gjøre at garantien blir ugyldig.

Generatoren skal bare brukes til tiltenkt bruk.

Den skal bare brukes på jevne overflater.

IKKE utsett generatoren for overdrevne mengder fukt, støv eller smuss.

IKKE la noe blokkere kjølespaltene.

Hvis tilkoblede apparater overopphetes, slå dem av og koble dem fra generatoren.

IKKE bruk generatoren hvis:

- Elektrisk utgangsspenning forsvinner
- Utstyret gnistrer, begynner å ryke eller avgir flammer
- Utstyret vibrerer overdrevent

ASSEMBLY

Generatoren din krever noe montering. Enheten leveres fra fabrikken vår uten olje. Den må ha drivstoff og olje før den tas i bruk.

Dersom du har noen spørsmål om montering av generatoren din, kontakt den lokale forhandleren. Sørg for å ha serienummeret og modellnummeret tilgjengelig.

Fjern generatoren fra esken den ble levert i.

1. Plasser esken på et solid, flatt underlag.
2. Fjern alt fra esken unntatt generatoren.
3. Skjær forsiktig hvert hjørne av esken fra topp til bunn. Brett hver av sidene flatt ned på underlaget for å få et underlag som du kan montere hjulsettet og støttebeinet på.

Installasjon av hjulsettet (tilleggsutstyr)

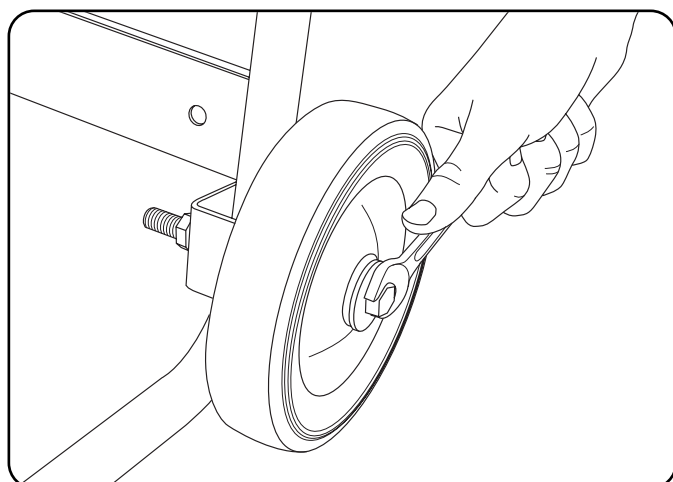
! CAUTION

Hjulsettet er ikke ment for bruk på vei.

Du trenger følgende verktøy for å installere hjulene:

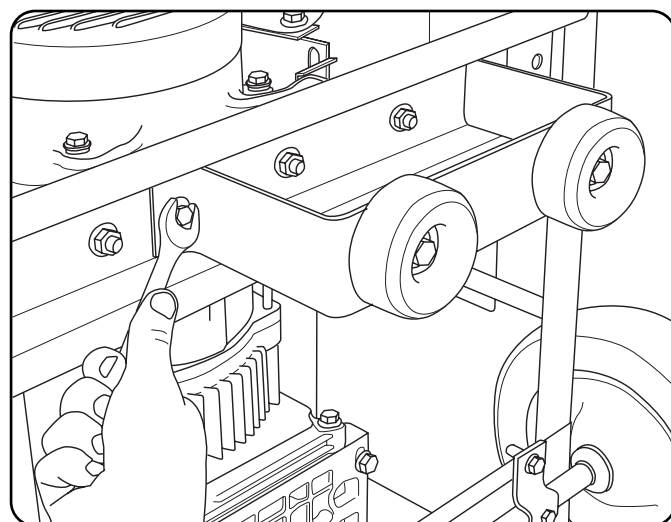
- 17 mm fastnøkkel ELLER skiftenøkkel (ikke inkludert)
- Pipenøkkel med en 16 mm pipe (ikke inkludert)
- Tenger (ikke inkludert)

1. Legg generatoren over på siden før påfylling av drivstoff og olje.
2. Tre flensbolten av typen M10x120 gjennom skiven, hylsen og hjulet.
3. Skyv bolten gjennom monteringspunktet på rammen.
4. Fest med låsemutteren (M10).
5. Gjenta trinn 2-4 for å feste det andre hjulet.



Installering av støttebeinet

1. Fest vibrasjonsfestene til støttebeinet med en flensbolt i størrelsen M8 x 25 og låsemuttere med flens.
2. Fest støttebeinet til generatorrammen med flensbolter i størrelse M8 x 16 og låsemuttere med flens. Stram godt. IKKE trekk til låsemutterne for mye.
3. Tipp generatoren sakte slik at den hviler på hjulene og støttebeinet



Tilkobling av batteriet (kun modeller med elektrisk start)

1. Fjern beskyttelsesdekslet fra den røde (+) ledningen på batteriet.
2. Fest den røde (+)ledningen til den røde (+) terminalen på batteriet med hetteskruen (M5x10) og sikre med låseskiven.
3. Gjenta trinn 1-2 for den sorte (-) batteriledningen.

Fyll på motorolje

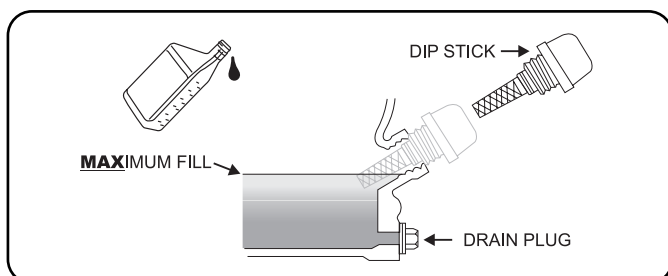
CAUTION

IKKE prøv å sveive eller starte motoren før den er korrekt fylt opp med anbefalt type og mengde olje. Skade på generatoren som følge av unnlattelse i å følge disse instruksjonene ugyldiggjør garantien din.

NOTE

Anbefalt oljetype er bilolje av typen 10W-30.

1. Plasser generatoren på et flatt, jevnt underlag.
2. Fjern oljepåfyllingslokket/peilepinnen for å fylle på olje.
3. Fyll på olje og sett på oljepåfyllingslokket/peilepinnen igjen. IKKE FYLL FOR MYE.
4. Kontroller motorens oljenivå daglig og etterfyll ved behov.

**NOTE**

Når olje er fylt på, skal det gjøres en visuell sjekk. Den skal vise olje omtrent 1-2 gjenger ned i påfyllingshullet. Hvis det benyttes en peilepinne til å kontrollere oljenivået, IKKE skru inn peilepinnen når du sjekker.

CAUTION

Motoren er utstyrt med oljevakt for lavt oljenivå, og slår seg av når oljenivået i veivhuset synker under terskelnivået.

Fyll på motorolje (fortsett)

NOTE

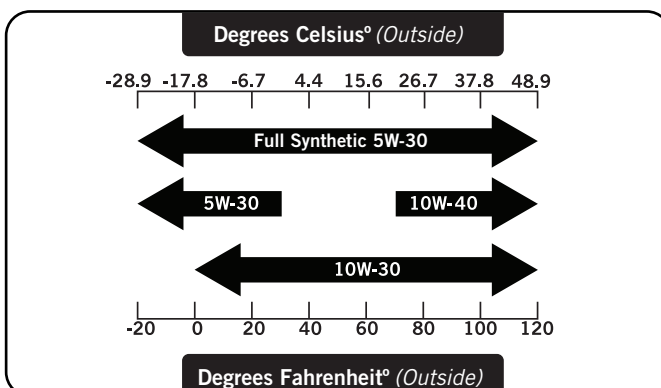
Kontroller oljen ofte i innkjøringsperioden. Se i avsnittet for vedlikehold for anbefalte serviceintervaller.

NOTE

Generatorens rotor har et forseglet, forhåndssmørt kulelager som ikke trenger mer smøring i hele lagerets levetid.

NOTE

Vi anser de første 5 driftstimene som innkjøringstiden for enheten. I innkjøringsperioden skal kraftuttaket ligge på eller under 50 %. Varier belastningen innimellom for at statorviklingene får varmet og avkjølt seg. Justering av belastningen gjør også at motorhastigheten varierer og bidrar til at stempelringene setter seg. Etter at innkjøringstiden på 5 timer er over, bytt oljen.

**NOTE**

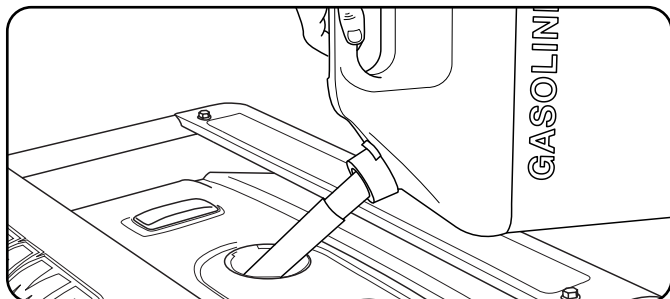
Værforholdene påvirker motoroljen og motorens ytelse. Bytt motoroljetype avhengig av værforhold, slik at motorens behov ivaretas.

NOTE

Syntetisk olje kan brukes etter den første innkjøringstiden på 5 timer. Bruk av syntetisk olje øker ikke den anbefalte intervalltiden for oljeskift. Fullsyntetisk olje av typen 5W-30 gir starthjelp i kalde omgivelsestemperaturer <math>< 5^{\circ}\text{C}</math> (41°F).

Drivstoffpåfylling

1. Bruk ren, fersk vanlig blyfri bensin med et oktantal på minimum 85 og et etanolinnhold som er mindre enn 10 %, målt etter volum.
2. IKKE bland olje med drivstoff.
3. Rengjør området rundt påfyllingslokket.
4. Fjern påfyllingslokket.
5. Fyll drivstoff sakte på tanken. IKKE FYLL FOR MYE. Drivstoff kan ekspandere etter påfylling. Minimum $\frac{1}{4}$ tomme (6,4 mm) med ledig plass i tanken kreves for at bensinen skal kunne utvide seg, det anbefales imidlertid mer enn $\frac{1}{4}$ tomme (6,4 mm). Drivstoff kan tvinges ut av tanken som en konsekvens at det fylles for mye. Dette kan påvirke produktets stabile driftsvilkår. Ved fylling av tanken anbefales det å la det være nok plass til at bensinen kan utvide seg.



6. Skru på drivstoffpåfyllingslokket og tørk av eventuelt drivstoffsøl.

! CAUTION

Bruk vanlig blyfri bensin med et oktantal på minimum 85.

IKKE bland olje og bensin.

Fyll tanken til omtrent $\frac{1}{4}$ tomme (6,4 mm) under toppnivå i tanken. Dette gjør at bensinen kan utvide seg.

IKKE fyll bensin direkte på generatoren fra bensinstasjonen. Bruk en godkjent beholder til å fylle drivstoff på generatoren.

IKKE fyll drivstofftanken innendørs.

IKKE fyll drivstofftanken mens motoren går eller er varm.

IKKE fyll for mye på bensintanken.

IKKE tenn opp sigaretter eller røyk ved fylling av drivstofftanken.

! WARNING

Helling av drivstoff for raskt gjennom bensinsilen kan føre til tilbakeslag av drivstoff i retning av brukeren.

Påfylling av drivstoff (fortsett)

NOTE

Motorene våre fungerer godt med drivstoff som er blandet med 10 % eller mindre etanol. Ved bruk av drivstoff blandet med etanol er det noen ting man må huske på:

- Bensin blandet med etanol kan absorbere mer vann enn ren bensin.
- Disse blandingene kan til syvende og sist skille seg og etterlate vann eller en vannaktig guffe i tanken, bensinventilen og forgasseren.
- Med falltilførsel kan det ødelagte drivstoffet trekkes inn i forgasseren og forårsake skade på motoren og/eller føre til potensielle farer.
- Det er bare noen få leverandører som produserer drivstoffstabilisatorer som er laget for å fungere sammen med bensin-etanolblandinger.
- Eventuelle skader eller farer som oppstår ved bruk av feil drivstoff, drivstoff som er lagret feil, og/eller feilproduserte stabilisatorer dekkes ikke av produsentens garanti.

Det er tilrådelig å alltid slå av drivstofftilførselen, kjøre motoren til den stopper og tømme tanken når utstyret ikke skal brukes på mer enn 30 dager.

Jording

Generatoren din må kobles til en jording for å hindre elektrisk støt.

! WARNING

Å unnlate å jorde generatoren skikkelig kan føre til elektrisk støt.

Et jordingspunkt koblet til generatorens ramme er montert på strømpanelet. For fjernjording kobles det til en grov kobberkabel (12 AWG minimum) mellom jordingspunktet på generatoren og et kobberspyd som er stukket i jorden. Vi anbefaler på det sterkeste at du kontakter en kvalifisert elektriker for å sikre samsvar med lokale elektriske forskrifter.

Generatorens plassering

Bruk aldri generatoren inne i bygninger! (Se avsnittet med sikkerhetsadvarsler). I noen områder må generatorer være registrert hos det lokale strømselskapet. Generatorer som brukes på byggeplasser kan være underlagt lokale regler og forskrifter. La den stå på et flatt, jevnt underlag. Generatorer skal ha minst 5 fot (1,5 meters) klaring til alle brennbare materialer. I tillegg må de ha minst 3 fot (91,4 cm) klaring på alle sider for tilstrekkelig kjøling, vedlikehold og service. Generatorer skal aldri startes eller brukes på steder der det ikke er tilstrekkelig kjøling for generatoren og/eller eksosanlegget.. La generatorer avkjøle seg før lagring og transport. Ikke plasser generatoren i nærheten av ventilasjonsluker eller inntak. Ta hensyn til vind og luftstrømmer ved plassering av generatoren.

Unnlatelse i å følge sikkerhetsforskriftene kan ugyldiggjøre produsentens garanti.

WARNING

Ikke bruk eller oppbevar generatoren i regn, snø, eller fuktig vær.

Bruk av en generator eller et elektrisk apparat i fuktige forhold, slik som regn eller snø, i nærheten av et basseng eller et sprinklersystem, eller der hendene dine er våte, kan føre til elektrisk støt.

WARNING

Under drift blir eksosanlegget og avgassene som produseres varme. Hvis ikke kjøling og lufting er tilstrekkelig, eller hvis generatoren blir blokkert eller stengt inne, kan temperaturen bli ekstremt opphetet, noe som kan føre til brann

Jording

Generatorsystemets jording kobler rammen til jordingskontaktene på strømpanelet.. Systemjordingen er koblet til den nøytrale AC-ledningen.

Overspenningsvern

CAUTION

Spenningsvingninger kan svekke funksjonen til sensitivt elektronisk utstyr.

Elektroniske apparater, inkludert datamaskiner og mange programmerbare apparater, bruker komponenter som er designet for å fungere innenfor et smalt spenningsområde og kan bli påvirket av øyeblikkelige spenningsvariasjoner. Selv om det ikke er noen måte å forhindre spenningsvingninger på, kan du ta noen grep for å beskytte sensitivt elektronisk utstyr.

1. Installer UL1449, CSA-godkjente, overspenningsdempere på koblingsuttakene som gir strøm til det følsomme utstyret ditt.

Overspenningsdempere leveres både til enkeltstikk og til flere. De er utformet for å beskytte mot praktisk talt alle kortvarige spenningsvingninger.

Start av motoren

1. Sørg for at generatoren står på et flatt, jevnt underlag.
2. Koble alle elektriske belastninger fra generatoren. Aldri start eller stopp generatoren med elektriske apparater tilkoblet eller slått på.
3. Vri drivstoffventilen til "PÅ"-posisjon.
4. Flytt chokehendelen til "CHOKE"-stillingen.
5. Vipp tenningsbryteren til "PÅ"-posisjon.
6. For modeller som har ELEKTRISK START: Trykk og hold inne tenningsbryteren i "START"-posisjon. Slipp når motoren starter. Hvis motoren ikke starter innen fem sekunder, slipp bryteren og vent minst ti sekunder før du prøver å starte motoren igjen.
7. SNORSTART: Dra startsnoren sakte til motstand dannes, trekk deretter raskt.
8. Ikke gi for mye choke. Så snart motoren starter, flytter du chokespaken til "RUN"-posisjonen.

NO

OPERATION

Start av motoren (fortsatt)

NOTE

Ikke ha chokehendelen i "CHOKE"-posisjon mer enn ett trekk i startsnoren. Etter det første draget, flytt chokehendelen til "Run"-posisjon de neste 3 dragene i snorstarten. For mye choke gjør at motoren ikke vil starte.

NOTE

Hvis motoren starter, men ikke fortsetter å gå, sørg for at generatoren står på et flatt, jevnt underlag. Motoren er utstyrt med en sensor for lavt oljenivå. Denne hindrer motoren fra å starte hvis oljenivået faller under en kritisk terskelgrense.

NOTE

Når batteribryteren er i "PÅ"-stilling, lyser bryteren hvis batteriet sender ut spenning. Hvis lyset ikke lyser mens bryteren står i "PÅ"-stilling, kontroller batteritilstanden.

NOTE

Det medfølgende 12V 15AH-batteriet lader seg opp mens motoren går, men det anbefales også at batteriet lades helt opp minst en gang i måneden.

Tilkobling av elektriske belastninger

1. La motoren stabilisere seg og varmes opp et par minutter etter oppstart.
2. Koble til og slå på ønsket elektrisk belastning på 220 AC i enkeltfase på 50 Hz.
 - IKKE koble 3-fasede belastninger til generatoren.
 - IKKE koble belastninger på 60 hertz til generatoren.
 - IKKE overbelast generatoren.

Tilkobling av elektriske belastninger (fortsatt)

NOTE

Tilkobling av en generator til kraftselskapets nett eller til en annen strømkilde kan stride mot lovverket. I tillegg kan denne handlingen, hvis den utføres på feil måte, skade generatoren din og apparatene dine, og forårsake alvorlig skade og død for deg eller en ansatt i strømselskapet som jobber på kraftlinjer i nærheten. Hvis du har planer om å bruke en elektrisk generator ved et strømbrudd, gi beskjed til strømselskapet ditt umiddelbart og husk å koble apparatene dine rett inn i generatoren. Ikke koble generatoren til eventuelle stikkontakter i hjemmet ditt. Dette kan føre til at du kobler deg til strømselskapets kraftlinjer. Du er ansvarlig for å påse at elektrisiteten som generatoren din produserer ikke mates tilbake i strømmettet. Dersom generatoren skal kobles til det elektriske anlegget i en bygning, kontakt det lokale strømselskapet eller en kvalifisert elektriker. Koblingene må isolere generatorstrømmen fra strømmettet og må overholde alle gjeldende lover og forordninger.

Stoppe motoren

1. Slå av og koble fra alle elektriske belastninger. Aldri start eller stopp generatoren med elektriske apparater tilkoblet eller slått på.
2. La generatoren gå uten belastning i noen minutter for å stabilisere den innvendige temperaturen på motoren og generatoren.
3. Vri drivstoffventilen til "AV"-posisjon.
4. La motoren gå til den stopper på grunn av drivstoffmangel. Dette tar som regel et par minutter.
5. Skyv tenningsbryteren til "AV"-posisjon.

Viktig: Påse alltid at drivstoffventilen og tenningsbryteren er i "AV"-posisjon når motoren ikke er i bruk.

NOTE

Hvis generatoren ikke skal brukes i mer enn to (2) uker eller mer, se avsnittet for lagring for riktig lagring av motor og drivstoff.

Ikke overbelast generatoren

Kapasitet

Følg disse enkle trinnene for å beregne drifts- og oppstartswatt til dine behov:

1. Velg de elektriske apparatene du skal bruke samtidig.
2. Slå sammen wattstyrken på disse. Dette er den mengden strøm du trenger for å holde enhetene dine i gang.
3. Kartlegg høyeste oppstartswatt fra alle enheter i trinn 1. Legg dette tallet til antallet beregnet i trinn 2. Oppstartswatt er den ekstra kraften som trengs akkurat i det øyeblikket enkelte elektriske apparater starter opp. Ved å følge trinnene som er listet opp under "Strømstyring" garanteres det at bare en enhet starter av gangen.

Strømstyring

Bruk følgende formel til å konvertere volt og ampere til watt:

$$\text{Volt x ampere} = \text{Watt}$$

For å forlenge levetiden til generatoren din og de tilkoblede enhetene, følg disse trinnene for å legge til elektrisk belastning:

1. Start generatoren uten noen elektriske belastninger tilkoblet
2. La motoren gå i noen minutter slik at den får stabilisert seg.
3. Koble til og slå på det første apparatet. Det er best å koble til det apparatet som har den største belastningen først.
4. La motoren stabilisere seg.
5. Koble til og slå på det neste apparatet.
6. La motoren stabilisere seg.
7. Gjenta trinnene 5-6 for hvert ekstra apparat.

NOTE

Aldri overskrid den spesifiserte kapasiteten når generatoren belastes.

Drift i stor høyde

Vær oppmerksom på at motorytelsen kan reduseres og avgassutslippet kan øke ved arbeid i stor høyde. Andre problemer som kan oppstå i stor høyde er startvansker, økt bensinforbruk og svikt i tennpluggen. Dette er naturlig og kan ikke endres på ved å justere på motoren.

MAINTENANCE AND STORAGE

Eieren/brukeren er ansvarlig for alt periodisk vedlikehold. Utfør alt planlagt vedlikehold på riktig måte. Korrigjer

⚠ WARNING

Aldri bruk en skadet eller defekt generator.

⚠ WARNING

Tukling med den fabrikkinnstilte styringen for blanding av luft og drivstoff ugyldiggjør garantien din.

⚠ WARNING

Feil vedlikehold gjør garantien din ugyldig.

NOTE

Vedlikehold, utskiftning eller reparasjon av styringsenheter for avgassutslipp og systemer kan utføres av alle motorverksteder eller individer som ikke driver med kjøretøy.

eventuelle feil før generatoren tas i bruk.

Motorvedlikehold

For å forhindre utilsiktet start, fjern og koble tennpluggen til jord før eventuell service utføres.

Olje

Bytt olje når motoren er varm. Se på oljespesifikasjonen for å velge riktig oljeviskositet til akkurat ditt driftsmiljø.

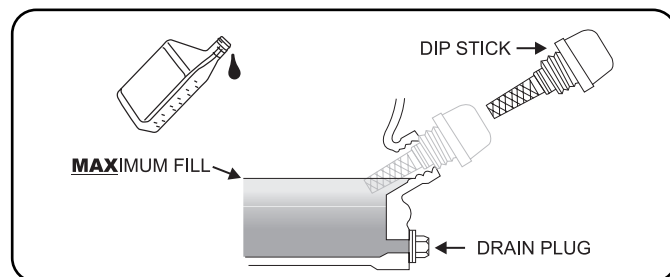
1. Fjern oljetappepluggen med en 15 mm pipe og forlenger (ikke inkludert).
2. La oljen kan tømmes helt.
3. Sett inn tappepluggen igjen.
4. Fjern oljepåfyllingslokket/peilepinnen for å fylle på olje.
5. Fyll på olje og sett på oljepåfyllingslokket/peilepinnen igjen. **IKKE FYLL FOR MYE.**
6. Avhend brukt olje på et godkjent oppsamlingssted.

Olje (fortsett)

NOTE

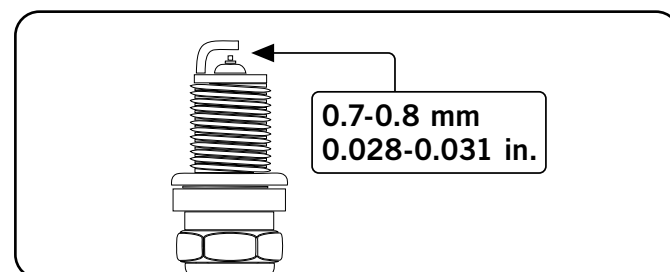
Når olje er fylt på, skal det gjøres en visuell sjekk. Den skal vise olje omtrent 1-2 gjenger ned i påfyllingshullet.

Hvis det benyttes en peilepinne til å kontrollere oljenivået, **IKKE** skru inn peilepinnen når du sjekker.



Luftfilter

1. Fjern klipsdekelet som holder luftfilteret i kassetten.
2. Ta ut skumelementet.
3. Vask i flytende rengjøringsmiddel og vann. Klem det helt tørt i en ren klut.
4. Dynk det i ren motorolje.
5. Klem det i en ren, absorberende klut for å fjerne all overflødig olje.
6. Sett filteret tilbake på plass.
7. Sett på luftfilterdekelet igjen og trykk det på plass.



OEM tennplugg: F6RTC

Erstatningstennplugg: NGK BPR6ES eller tilsvarende

Sørg for at *tennpluggavstanden er 0,7 - 0,8 mm eller (0,028 - 0,031 tommer).

Vedlikeholdsventilklaring

- Inntak: 0.13 - 0.17 mm (0.005 - 0.007 in.)
- Eksos: 0.18 - 0.22 mm (0.007 - 0.009 in.)

Merk: Teknisk bulletin angående ventiljusteringsprosedyren er på

www.championpowerequipment.co.uk

Tennplugger

1. Fjern pluggledningen fra tennpluggen.
2. Fjern pluggen.
3. Undersøk elektroden på pluggen. Den skal være ren og ikke slitt for å lage gnisten som kreves for tenning.
4. Se på tennplugginformasjonen som finnes på "spesifikasjon"-siden for denne modellen.
5. Skru pluggen forsiktig inn i motoren.
6. Bruk pluggnøkkelen (medfølger ikke) til å stramme pluggen med.
7. Fest pluggledningen på tennpluggen.

Gnistfanger

1. La motoren avkjøle seg fullstendig før det utføres service på gnistfangeren.
2. Fjern skruene som holder dekselet som fester enden av gnistfangeren til eksosanlegget.
3. Fjern duken fra gnistfangeren.
4. Fjern forsiktig karbonavleiringene fra gnistfangerduken med en stålbørste.
5. Bytt ut gnistfangeren hvis den er skadet.
6. Sett gnistfangeren på eksosanlegget og fest med de tre skruene.

! CAUTION

Ved å unnlate å rengjøre gnistfangeren reduseres motorens ytelse.

NOTE

Føderale og lokale lover og administrative krav indikerer når og hvor gnistfangerer er påkrevd.

Rengjøring

! CAUTION

IKKE sprut vann på motoren.

Vann kan forurense drivstoffsystemet.

Bruk en fuktig klut for å rengjøre de utvendige flatene på motoren.

Bruk en børste med myk bust til å fjerne smuss og olje. Bruk en luftkompressor (25 PSI) til å fjerne smuss og rusk fra motoren.

Justeringer

Blanding av luft og drivstoff er ikke justerbar. Tukling med styringen for blanding av luft og drivstoff kan skade generatoren og de elektriske apparatene din, og ugyldiggjør garantien din. CPE anbefaler at du kontakter den lokale forhandleren din for all annen service og/eller justeringsbehov.

Vedlikeholdsplan

Følg serviceintervallene som er indikert på følgende vedlikeholdsplan.

Ta service hyppigere på generatoren din når den brukes under ugunstige forhold.

Hver 8. time eller daglig	
	Sjekk oljenivået
	Rengjør rundt luftinntaket og eksosanlegget
De første 5 timene	
	Bytt olje
Hver 50. time eller hver sesong	
	Rengjør luftfilteret
	Bytt olje ved høy belastning eller ved bruk i varme omgivelser
Hver 100. time eller hver sesong	
	Bytt olje
	Rens/juster tennpluggen
	Kontroller/juster ventilklaringen*
	Rengjøring av gnistfanger
	Rengjøring av bensintank og filter*
Hver 250. time	
	Rengjøring av forbrenningskammer*
Hvert 3. år	
	Skift ut drivstoffslangen

*Skal utføres av kunnskapsrike, erfarne eiere eller CPE-sertifiserte servicesentre.

Vedlikehold av generatoren

Sørg for at generatoren holdes ren og lagres riktig. Enheten skal bare brukes på et flatt, jevnt underlag i et rent, tørt driftsmiljø. IKKE utsett enheten for ekstreme forhold, overdrevne støvmengder, smuss, fukt eller etsende damp.

! CAUTION

IKKE bruk hageslangen til å rengjøre generatoren med.

Vann kan trenge inn i generatoren via kjølespaltene og skade generatorviklingene.

Bruk en fuktig klut for å rengjøre de utvendige flatene på generatoren.

Bruk en børste med myk bust til å fjerne smuss og olje. Bruk en luftkompressor (25 PSI) til å fjerne smuss og rusk fra generatoren.

Inspiser alle luftventiler og kjølespalter for å sikre at de er rene og ikke tilstoppet av noe.

MAINTENANCE AND STORAGE

Lagring

Generatoren skal startes minst en gang hver 14. dag og la den gå i minst 20 minutter. For langidslagring, følg disse retningslinjene.

Lagring av generatoren

1. Fyll en drivstoffstabilisator som er riktig formulert på tanken.
2. Sørg for at alle apparater er koblet fra generatoren.
3. Kjør generatoren i et par minutter slik at det behandlede drivstoffet går gjennom drivstoffsystemet og forgasserer.
4. Vri drivstoffventilen til "Av"-posisjon.
5. La generatoren gå til den stopper på grunn av drivstoffmangel. Dette tar som regel et par minutter.
6. Generatoren må avkjøles helt før rengjøring og lagring.
7. Rengjør generatoren i henhold til avsnittet om vedlikehold.
8. Bytt oljen.
9. Fjern tennpluggen og hell omtrent 14,8 ml (2/14 unse) med olje inn i sylindere. Sveiv motoren sakte for å fordele oljen og smøre sylindere.
10. Sett på tennpluggen igjen.
11. Oppbevar enheten på et rent, tørt sted, skjermet mot direkte sollys.

Batteri

Noen rammegeneratorene er utstyrt med en automatisk batteriladekrets. Batteriet tar i mot ladespenning mens motoren går. Batteriet opprettholder riktig lading hvis enheten brukes regelmessig (omtrent en gang annenhver uke). Hvis det brukes sjeldnere, bør batteriet kobles til en vedlikeholdslader eller batterilader for å holde batteriet tilstrekkelig oppladet. Hvis batteriet ikke er i stand til å starte motoren, kan det startes ved å trekke manuelt i snorstarten. Hvis batterispenningen er ekstremt lav, kan det hende at batteriladekretsen ikke er i stand til å lade opp batteriet. Hvis så er tilfelle, må batteriet kobles til en standard billader for opplading før det kan brukes.

Lading av batteriet

For en generator utstyrt med batterier for elektrisk start, bør prosedyrer for riktig batterivedlikehold og lagring følges. En automatisk batterilader (ikke inkludert) med automatisk vedlikeholdslading bør brukes til å lade batteriet. Maksimal lading bør ikke overskride 1,5 ampere. Følg instruksjonene som følger med batteriladeren. Batteriet skal lades helt opp minst en gang i måneden.

NOTE

En vedlikeholdslader opprettholder batteriets tilstand over lengre lagringsperioder.

Frakobling av batteriet

1. Fjern beskyttelsesdekselet fra den sorte/negative ledningen på batteriet.
2. Koble fra den sorte/negative ledningen fra den sorte/negative terminalen på batteriet og legg hetteskruen og mutteren til side.
3. Gjenta trinn 1-2 for den røde/positive batteriledningen.
4. Lagre batteriet på et kjølig, tørt sted.

DANGER

Generatoreksos inneholder karbonmonoksid, en fargeløs og luktfri gass.

For å hindre at din generator med elektrisk start ikke tenner utilsiktet ved lagring, bør følgende forhåndsregler følges:

- Ved lagring av generatoren i kortere tidsperioder, sørg for at tenningsbryteren og drivstoffventilen er i AV-stilling.
- Ved lagring av generatoren i lengre tidsperioder, sørg for at tenningsbryteren og drivstoffventilen er i AV-stilling, og at ledningene er koblet fra batteriet.

Problem	Årsak	Løsning
Generatoren starter ikke	Ikke noe drivstoff	Fyll på drivstoff
	Svikt i tennplugg	Skift ut tennpluggen
	Enhet belastet under oppstart	Fjern belastning fra enheten
Generatoren starter ikke: Generatoren starter, men går ujevnt.	Lavt oljenivå.	Fyll veivhuset til riktig nivå.
		Plasser generatoren på et flatt, jevnt underlag.
	Choken er i feil posisjon.	Juster choken.
	Pluggkabelen er løs.	Fest ledningen til tennpluggen.
Generatoren starter ikke:	Generatorbatteri er dødt	Lad opp generatorbatteriet
Generatoren slår seg av under drift.	Tomt for drivstoff	Fyll tanken med drivstoff.
	Lavt oljenivå.	Fyll veivhuset til riktig nivå. Plasser generatoren på et flatt, jevnt underlag.
Generatoren klarer ikke å levere nok strøm eller den overopphetes	Generatoren er overbelastet.	Se over belastningen og juster. Se "Strømstyring"
	Utilstrekkelig ventilasjon	Se etter luftblokkeringer. Flytt til et område med god ventilasjon
Ingen AC-strøm	Kabel ikke skikkelig tilkoblet	Kontroller alle tilkoblinger
	Tilkoblet enhet er defekt	Skift ut defekt enhet
	Effektbryter er åpen	Tilbakestill effektbryter
	Feil på børster	Skift ut børster (servicesenter)
	Feil på AVR (auto voltage regulator, automatisk spenningsregulator)	Skift ut AVR (servicesenter)
	Løse kabler	Inspiser og stram kabelkoblinger
	Annet	Kontakt hjelpetelefonen.
Generatoren ruser seg.	Motorstyring defekt.	Kontakt hjelpetelefonen
Gjentatte utslag på effektbryter	Overbelastning	Se over belastningen og juster. Se "Strømstyring"
	Svikt i ledninger eller enhet	Se etter ødelagte, bare, eller frynsete ledninger. Skift ut defekt enhet

INTRODUCTION

Johdanto

Onnea generaattorin hankinnasta. Säilytä nämä ohjeet asianmukaisesti.

Kannettava virtageneraattori

Tämä laite on bensiinimootorikäyttöinen vaihtovirtageneraattori, jota käytetään sähkön syöttöön.

Varusteet

CPE valmistaa ja toimittaa erilaisia lisävarusteita. Lisätietoja saa paikalliselta jälleenmyyjältä.

Tämä opas

Pidätämme oikeuden muuttaa tai parantaa tuotetta ja tätä käyttöopasta ilman erillistä ilmoitusta

Kirjaa malli- ja sarjanumerot sekä ostopäivä ja -paikka tulevaa tarvetta varten. Pidä nämä tiedot saatavilla osia tilattaessa ja teknisiä tai takuukyselyjä tehtäessä.

Champion Power Equipment -tuki
Mallinumero
Sarjanumero
Ostopäivä
Ostopaikka
<small>Katso öljytyyppi kohdasta "Moottoriöljyn lisääminen". Katso polttoainetyyppi kohdasta "Polttoaineen lisääminen".</small>

Tutustu seuraaviin symboleihin. Turvasymbolit ja avainsanat ovat turvallisuusvaroituksia. Noudata kaikkia turvaohjeita onnettomuuksien tai loukkaantumisten välttämiseksi.

DANGER

VAARA tarkoittaa välitöntä vaaratilannetta, joka **johtaa** kuolemaan tai vakavaan loukkaantumiseen, jos sitä ei vältetä.

WARNING

VAROITUS tarkoittaa mahdollista vaaratilannetta, joka **voi johtaa** kuolemaan tai vakavaan loukkaantumiseen.

CAUTION

HUOMAUTUS tarkoittaa mahdollista vaaratilannetta, joka **voi johtaa** lievään tai kohtalaiseen loukkaantumiseen.

CAUTION

HUOMAUTUS käytettynä ilman turvahälytyssymbolia tarkoittaa mahdollisesti vaarallista tilannetta, joka **voi johtaa** omaisuusvahinkoihin, jos sitä ei vältetä.

NOTE

Jos sinulla on kysymyksiä generaattoristasi, voimme auttaa. Ota yhteyttä paikalliseen jälleenmyyjään.

SAFETY RULES

WARNING

Lue tämä opas huolellisesti ennen generaattorin käyttöä. Ohjeiden noudattamatta jättäminen voi johtaa vakaviin vammoihin tai kuolemaan.

WARNING

Tämän tuotteen moottorin pakokaasut sisältävät kemikaaleja, joiden tiedetään aiheuttavan vakavia terveysongelmia ja jopa kuoleman.

DANGER

Generaattorin pakokaasu sisältää hiilimonoksidia eli häkää, joka on väritöntä ja hajutonta myrkykaasua. Hiilimonoksidin hengittäminen aiheuttaa pahoinvointia, huimausta, pyörtymisen tai kuoleman. Jos huomaat huimausta tai heikotusta, siirry heti raittiiseen ilmaan.

Käytä generaattoria ulkona hyvin tuulettuvassa tilassa.

ÄLÄ käytä generaattoria rakennuksen sisällä, mukaan lukien autotallit, kellarit, ryömintätilat ja suojat, kotelot tai osastot, mukaan lukien huviajoneuvon generaattoritila.

ÄLÄ päästä pakokaasuja umpinaiseen tilaan ikkunoiden, ovien, tuuletusaukkojen tai muiden aukkojen kautta.

VAARALLISTA HÄKÄÄ: generaattorin käyttö sisätiloissa **VOI TAPPAA MINUUTEISSA.**

DANGER

Pyörivät osat voivat takertua käsiin, jalkoihin, hiuksiin, vaatteisiin ja/tai tarvikkeisiin. Seurauksena voi olla irti repeytyminen tai vakava avohaava.

Pidä kädet ja jalat kaukana pyörivistä osista. Sido pitkät hiukset kiinni ja riisu korut. Käytä laitteita, joissa suojukset ovat paikoillaan. ÄLÄ käytä löysästi istuvia vaatteita, roikkuvia hihnoja tai mitään, mikä voi tarttua kiinni.

DANGER

Generaattori tuottaa tehokasta jännitettä

ÄLÄ kosketa paljaita johtoja tai pistorasioita. ÄLÄ käytä sähköjohtoja, jotka ovat kuluneet, vaurioituneet tai rispaantuneet.

ÄLÄ käytä generaattoria märällä säällä. ÄLÄ anna lasten tai epäpätevien henkilöiden käyttää tai huoltaa generaattoria.

Käytä vikavirtasuojakytkintä (GFCI) kosteissa ja johtavaa materiaalia sisältävissä tiloissa, kuten metallikansilla.

Käytä hyväksytyjä siirtolaitteita eristämään generaattori sähkölaitteistasi ja ilmoita siitä sähköyhtiöllesi ennen generaattorin kytkemistä sähköjärjestelmään.

WARNING

Kipinät voivat aiheuttaa tulipalon tai sähköiskun.

Generaattoria huollettaessa:

Irrota sytytystulpan johto ja pistoke.

ÄLÄ tarkista kipinää tulpan ollessa irrotettuna.

Käytä vain hyväksytyjä sytytystulppien testilaitteita.

WARNING

Käynnissä olevat moottorit tuottavat lämpöä. Kosketus voi aiheuttaa vakavia palovammoja. Palava materiaali voi syttyä kosketuksesta.

ÄLÄ kosketa kuumia pintoja.

Vältä kosketusta kuumien pakokaasujen kanssa.

Anna laitteen jäähtyä ennen sen koskettamista.

Jätä vähintään 3 jalan (noin 90 cm:n) etäisyys laitteen ympärille ilmankierron varmistamiseksi.

Jätä vähintään 5 jalan (1,5 metrin) etäisyys syttyviin materiaaleihin.

WARNING

Lääketieteelliset ja elämää ylläpitävät käyttötarkoitukset

Soita hätätilanteissa heti hätänumeroon.

ÄLÄ KOSKAAN käytä tätä tuotetta elämän ylläpitämiseen tai tukemiseen tarkoitettujen laitteiden virtalähteenä.

ÄLÄ KOSKAAN käytä tätä tuotetta lääkinnällisten laitteiden tai varusteiden virtalähteenä.

Ilmoita heti sähköntoimittajallesi, jos sinä tai joku kotitaloudestasi olette riippuvaisia sähkölaitteista.

Ilmoita välittömästi sähkötoimittajallesi, jos virran katkeaminen aiheuttaisi sinulle tai kenellekään kotitaloudestasi hätätilanteen.

⚠ DANGER

Polttoaine ja polttoainehöyryt ovat helposti syttyviä ja erittäin räjähtäviä. Tulipalo tai räjähdys voi aiheuttaa vakavia palovammoja tai kuoleman. Tahaton käynnistys voi johtaa kiinni takertumiseen, raajojen irtoamiseen tai avohaavoihin.

Kun lisää tai poistat polttoainetta:

Sammuta generaattori ja anna sen jäähtyä vähintään kaksi minuuttia ennen polttoainesäiliön korkin irrottamista. Avaa korkkia hitaasti paineen vähentämiseksi säiliössä. Täytä tai tyhjennä polttoainetta vain ulkona hyvin tuulettuvassa tilassa. ÄLÄ pumpkaa kaasua huoltoasemalla suoraan generaattoriin. Käytä hyväksytyä säiliötä polttoaineen siirtämiseksi generaattoriin. ÄLÄ täytä polttoainesäiliötä liikaa. Pidä polttoaine aina suojassa kipinöiltä, avotulelta, merkkivaloilta, lämmöltä ja muista syttymislähteistä.

ÄLÄ sytytä tai polta savukkeita.**Generaattoria käynnistettäessä:**

ÄLÄ yritä käynnistää vaurioitunutta generaattoria. Varmista, että kaasukorkki, ilmansuodatin, sytytystulppa, polttoaineletkut ja pakojärjestelmä ovat kunnolla paikoillaan. Anna läikkyneen polttoaineen haihtua kokonaan ennen moottorin käynnistämistä. Varmista, että generaattori lepää tiukasti tasaisella pinnalla.

Generaattoria käytettäessä:

ÄLÄ siirrä tai kallista generaattoria käytön aikana. ÄLÄ kallista generaattoria tai anna polttoaineen tai öljyn vuotaa ulos.

Generaattoria kuljetettaessa tai huollettaessa:

Varmista, että polttoaineen sulkuventtiili on kiinni ja polttoainesäiliö on tyhjä. Irrota sytytystulpan johto.

Generaattoria varastoitaessa:

Varastoi suojassa kipinöiltä, avotulelta, merkkivaloilta, lämmöltä ja muista syttymislähteistä.

⚠ WARNING

Tämän laitteen käyttö voi aiheuttaa kipinöitä, jotka voivat aiheuttaa tulipalon kuivassa kasvillisuudessa.

Kipinäsuojaa voidaan tarvita. Käyttäjän on otettava yhteyttä paikalliseen palontorjuntaviranomaiseen saadakseen tietoja palontorjuntaa koskevista vaatimuksista.

⚠ WARNING

Käynnistysnarun nopea vetäminen vetää käsiä ja käsivarsia moottoria kohti nopeammin kuin voit vapauttaa narun. Tahaton käynnistäminen voi johtaa vakaviin vammoihin. Seurauksena voi olla luunmurtumia, mustelmia tai nyrjähdyksiä.

Käynnistäessäsi moottoria vedä käynnistysnarusta hitaasti, kunnes tuntuu vastusta, ja vedä sitten narusta nopeasti välttääksesi takaiskun. ÄLÄ käynnistä tai pysäytä moottoria, joka on kytkettynä sähkölaitteisiin.

! CAUTION

Generaattorin käyttökapasiteetin ylittäminen voi vaurioittaa generaattoria ja/tai siihen kytkettyjä sähkölaitteita.

ÄLÄ ylikuormita generaattoria.

Käynnistä generaattori ja anna moottorin vakautua ennen sähkökuormien kytkemistä.

Kytke sähkölaitteet pois päältä ja kytke ne sitten takaisin päälle.

Sammuta sähkölaitteet ennen generaattorin sammuttamista.

ÄLÄ peukaloi säädelyä nopeutta.

ÄLÄ muuta generaattoria millään tavalla.

! CAUTION

Virheellinen käsittely tai generaattorin käyttö voi vahingoittaa sitä, lyhentää sen käyttöikää ja mitätöidä takuun.

Käytä generaattoria vain sille osoitettuihin käyttötarkoituksiin.

Käytä vain tasaisilla pinnoilla.

ÄLÄ altista generaattoria liialliselle kosteudelle, pölylle tai lialle.

ÄLÄ anna minkään materiaalin tukkia jäähdytysaukkoja.

Jos kytketyt laitteet ylikuumenevat, sammuta ne ja irrota ne generaattorista.

ÄLÄ käytä generaattoria, jos:

- Sähköä ei synny
- Laite kipinöi, savuaa tai liekehtii
- Laite tärisee voimakkaasti

ASSEMBLY

Generaattori vaatii jonkin verran kokoonpanoa. Tämä yksikkö toimitetaan tehtaalta ilman öljyä. Se on täytettävä asianmukaisesti polttoaineella ja öljyllä ennen käyttöä.

Jos sinulla on kysyttävää generaattorisi kokoonpanosta, ota yhteyttä paikalliseen jälleenmyyjään. Pidä sarjanumero ja mallinumero käsillä.

Poista generaattori pakkauksesta

1. Aseta toimituspakkaus tukevalle, tasaiselle alustalle.
2. Poista pakkauksesta kaikki paitsi generaattori.
3. Leikkaa varovasti laatikon kulmat ylhäältä alas. Taita molemmat sivut tasaisesti maahan, jotta saadaan pinta-alaa pyöräpaketin ja tukijalan asentamiseksi.

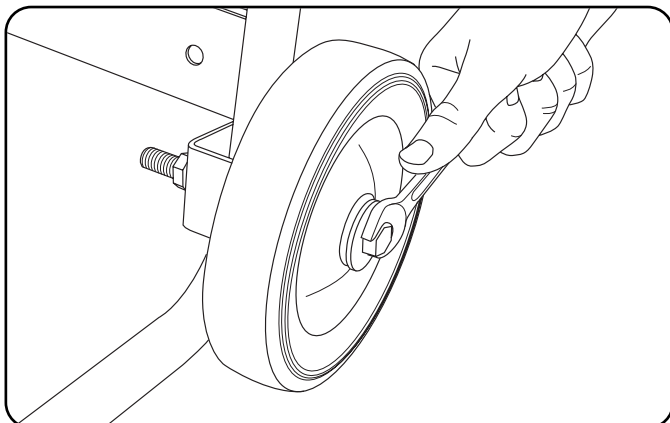
Pyöräsarjan (lisävaruste) asentaminen

! CAUTION

Pyöräsarjaa ei ole tarkoitettu tiekäyttöön.

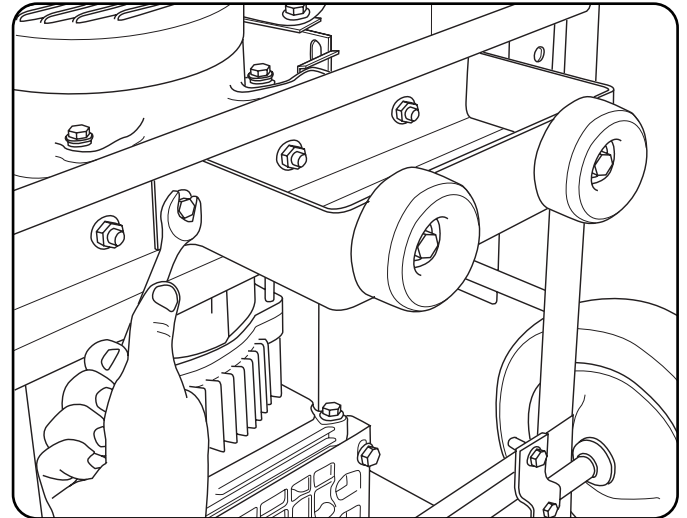
Tarvitset seuraavat työkalut pyörien asentamiseen:

- 17 mm jakoavain TAI säädettävä jakoavain (ei sisälly toimitukseen)
 - Räikkäävain 16 mm:n kannalla (ei mukana)
 - Pihdit (ei mukana)
1. Ennen kuin lisäät polttoainetta ja öljyä, kallista generaattoria kyljelleen.
 2. Liu'uta M10x120-laippapultti aluslevyn, holkin ja pyörän läpi.
 3. Liu'uta pultti rungon kiinnityskohdan läpi.
 4. Kiinnitä tiukasti M10-lukkomutterilla.
 5. Toista vaiheet 2–4 toisen pyörän kiinnittämiseksi.



Tukijalan asentaminen

1. Kiinnitä tärinätelineet tukijalkaan laippapultilla M8 x 25 ja laipan lukkomuttereilla.
2. Kiinnitä tukijalka generaattorikehykseen laippapulteilla M8 x 16 ja laipan lukkomuttereilla ja kiinnitä kunnolla. ÄLÄ kiristä lukkomuttereita liikaa.
3. Kallista generaattoria hitaasti niin, että se lepää pyörillä ja tukijalalla.



Akun kytkeminen (vain sähköstartilla varustetut mallit)

1. Poista suojakotelo akun punaisesta plusjohdosta (+).
2. Kiinnitä punainen (+) johdin akun punaiseen (+) napaan ruuvilla (M5x10) ja kiinnitä lukkolevyllä (M5).
3. Toista vaiheet 1-2 mustan miinusjohdon (-) kohdalla.

Moottoriöljyn lisääminen

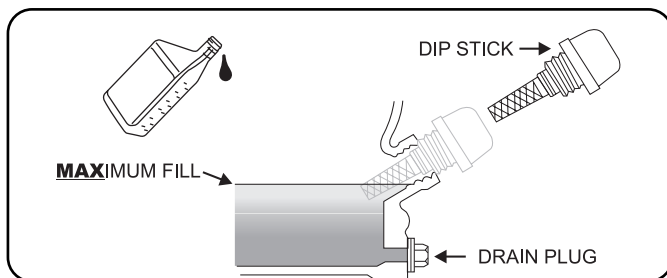
! CAUTION

ÄLÄ yritä pyörittää tai käynnistää moottoria ennen kuin sen öljymäärä on täynnä ja käytä oikeaa, suositeltua tyyppiä. Näiden ohjeiden laiminlyönnistä generaattorille aiheutuvat vauriot mitätöivät takuun.

NOTE

Suosittelemme autojen moottoriöljyä 10W-30.

1. Sijoita generaattori tasaiselle alustalle.
2. Irrota öljytäyttökorkki/mittatikku öljyn lisäämiseksi.
3. Lisää öljy ja aseta öljytäyttökorkki/mittatikku paikalleen. ÄLÄ TÄYTÄ LIIKAA.
4. Tarkista moottoriöljyn taso päivittäin ja lisää tarvittaessa.



NOTE

Kun öljyä on lisätty, silmämääräisessä tarkastuksessa tulee näkyä öljyä noin 1-2 kierteen mitalta täyttöaukosta. Jos käytät mittatikkaa öljytason tarkistamiseen, ÄLÄ ruuvaa mittatikkaa tarkistuksen aikana.

CAUTION

Moottori sammuu öljyn määrän ollessa liian vähäinen, ja käynti pysähtyy, kun kampikammion öljymäärä laskee alle kynnystason.

Moottoriöljyn lisääminen, jatkoa

NOTE

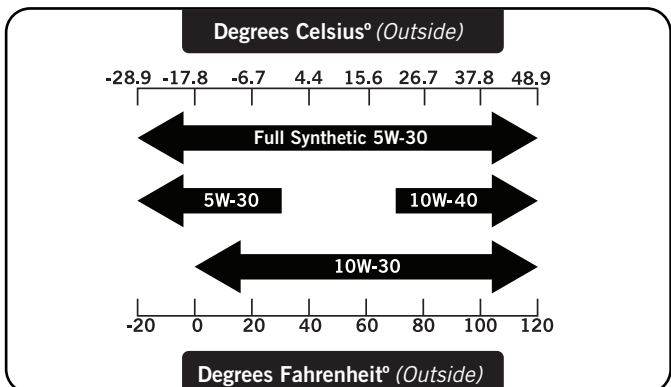
Tarkista öljyt usein sisäänajon aikana. Katso huolto-osioista suositellut huoltovälit.

NOTE

Generaattorin roottorissa on suljettu, esivoideltu kuulalaakeri, joka ei vaadi lisävoitelua koko laakerin eliniän aikana.

NOTE

Pidämme ensimmäisiä 5 käyttötuntia yksikön sisäänajojaksona. Taukojakson aikana tulee käyttää 50 % tai vähemmän käyttötehosta. Vaihda kuormaa ajoittain, jotta staattorin käämit voivat kuumentua ja jäähtyä. Kuorman säätäminen muuttaa myös moottorin nopeutta ja auttaa männänrenkaita asettumaan. Vaihda öljy 5 tunnin sisäänajojakson jälkeen.



NOTE

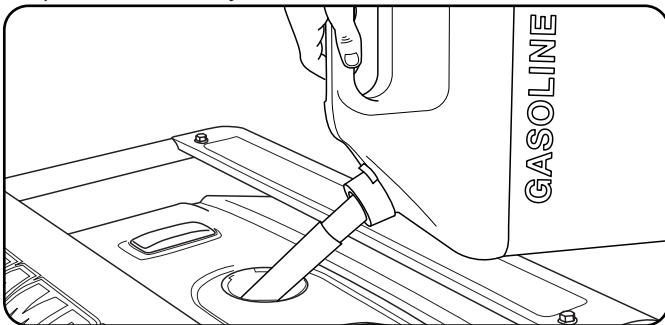
Sää vaikuttaa moottoriöljyyn ja moottorin suorituskykyyn. Vaihda käytettyä moottoriöljytyyppiä sääolosuhteiden perusteella moottorin tarpeisiin sopivaksi.

NOTE

Viiden tunnin sisäänajojakson jälkeen voidaan käyttää synteettistä öljyä. Synteettisen öljyn käyttö ei pidennä suositeltua öljynvaihtoväliä. Täyssynteettinen 5W-30-öljy helpottaa käynnistystä kylmässä ympäristössä <math>< 5\text{ }^\circ\text{C}</math> (41 °F)

Polttoaineen lisääminen

1. Käytä puhdasta, tuoretta, normaalia lyijytöntä polttoainetta, jonka oktaaniarvo on vähintään 85 ja etanolipitoisuus alle 10 tilavuusprosenttia.
2. ÄLÄ sekoita öljyä polttoaineeseen.
3. Puhdista alue polttoainesäiliön korkin ympäriltä.
4. Irrota polttoainesäiliön korkki.
5. Lisää polttoainetta hitaasti säiliöön. ÄLÄ TÄYTÄ LIIKAA. Polttoaine voi laajentua täytön jälkeen. Vähintään (6,4 mm) jäljellä olevaa tilaa polttoainesäiliössä tarvitaan polttoaineen laajenemisen varalta. Suositus on yli 1/4 tuumaa (6,4 mm). Polttoaine voi tulla ulos säiliöstä laajenemisen seurauksena, jos se on liian täynnä, ja se voi vaikuttaa tuotteen käyttäytymiseen. Kun säiliötä täytetään, on suositeltavaa jättää tarpeeksi tilaa polttoaineen laajentumiselle.



6. Ruuvaa polttoainesäiliön korkki paikalleen ja pyyhi pois vuotanut polttoaine.

! CAUTION

Käytä tavallista lyijytöntä bensiiniä, jonka oktaaniluku on vähintään 85.

Älä sekoita öljyä ja bensiiniä keskenään. Täytä säiliö noin 1/4 tuumaa (6,4 mm) ylärajasta, jotta polttoaineelle jää tilaa laajentua. ÄLÄ pumpkaa kaasua huoltoasemalla suoraan generaattoriin. Käytä hyväksytyä säiliötä polttoaineen siirtämiseksi generaattoriin. ÄLÄ täytä polttoainesäiliötä sisätiloissa. ÄLÄ täytä polttoainesäiliötä moottorin käydessä tai ollessa kuuma. ÄLÄ täytä polttoainesäiliötä liikaa. ÄLÄ sytytä savukkeita tai tupakoi polttoainesäiliötä täytettäessä.

! WARNING

Polttoaineen liian nopea kaataminen polttoainesuodattimen läpi voi johtaa polttoaineen takaisinvirtaukseen.

Polttoaineen lisääminen, jatkoa

NOTE

Moottorimme toimivat hyvin 10 % tai sen alle olevilla etanolisekoitepolttoaineilla. Sekoitettua polttoainetta käytettäessä on huomioitava joitain asioita:

- Etanoli-bensiiniseokset voivat imeä enemmän vettä kuin pelkkä bensiini.
- Nämä seokset voivat lopulta erottua ja jättää vettä tai vetistä lietettä säiliöön, polttoaineventtiiliin ja kaasuttimeen.
- Painovoimalla toimivissa polttoainesyötöissä tämä pilaantunut polttoaine voi imeytyä kaasuttimeen ja aiheuttaa vahinkoa moottorille ja/tai vaaratilanteita.
- On olemassa vain muutama polttoaineiden stabilointiaineiden toimittaja, joiden tuotteet on suunniteltu toimimaan etanolisekoitepolttoaineiden kanssa.
- Valmistajan takuu ei kata vaurioita tai vaaroja, jotka aiheutuvat väärän polttoaineen, väärin varastoidun polttoaineen ja/tai väärin annosteltujen stabilointiaineiden käytöstä.

Suosittellemme sammuttamaan polttoaineensyötön, ajamaan polttoaine tyhjiin ja tyhjentämään säiliön, jos laitetta ei käytetä yli 30 vuorokauteen.

Maadoitus

Generaattorisi on kytkettävä oikein asianmukaiseen maadoitukseen sähköiskun estämiseksi.

! WARNING

Generaattorin maadoittamatta jättäminen voi johtaa sähköiskuun.

Maadoitusliitin, joka on kytketty generaattorin runkoon, on valmiiksi virtapaneelissa. Etämaadoitusta varten tulee kytkeä pitkä raskas (vähintään 12 AWG) kuparijohdin generaattorin maadoitusliittimen ja maadoituksessa kulkevien kuparitankojen väliin. Suosittelemme, että otat yhteyttä valtuutettuun sähköasentajaan varmistaaksesi paikallisten sähkömääräysten noudattamisen.

Generaattorin sijoittaminen

Älä koskaan käytä generaattoria rakennuksen sisällä! (Katso kohta Turvavaroitukset). Joillakin alueilla generaattorit on rekisteröitävä paikallisella sähkölaitoksella. Rakennustyömailla käytettäviin generaattoreihin voidaan soveltaa paikallisia lisäsääntöjä. Sijoita tasaiselle alustalle. Generaattoreilla on oltava vähintään 1,5 m etäisyys kaikesta palavasta materiaalista. Lisäksi niillä on oltava vähintään 3 jalan (noin 3 cm:n) väli kaikilta sivuilta riittävän jäähdytysten ja huollon mahdollistamiseksi. Generaattoreita ei saa koskaan käynnistää tai käyttää paikoissa, jotka eivät mahdollista generaattorin ja/tai äänenvaimentimen riittävää jäähdytystä. Anna generaattoreiden jäähtyä ennen varastointia tai kuljetusta. Älä sijoita generaattoria aukkojen tai imuaukkojen läheisyyteen. Ota huomioon tuuli- ja ilmavirrat generaattoria sijoittaessasi.

Asianmukaisten turvatoimenpiteiden noudattamatta jättäminen voi mitätöidä valmistajan takuun.

WARNING

Älä käytä tai säilytä generaattoria sateessa, lumessa tai märässä.

Generaattorin tai sähkölaitteen käyttö märissä olosuhteissa, kuten sateessa tai lumessa, uima-altaan tai sprinklerijärjestelmän lähellä tai käsien ollessa märkä, voi johtaa sähköiskuun.

WARNING

Käytön aikana äänenvaimentimet ja syntyvät pakokaasut kuumenevat. Jos riittävää jäähdytys- ja ilmankiertotilaa ei ole saatavana tai jos generaattori on tukossa tai peitetty, lämpötilat voivat kuumentua erittäin voimakkaasti ja aiheuttaa tulipalon.

Maadoitus

Generaattorijärjestelmän maadoitus yhdistää rungon virtapaneelin maadoitusliittimiin. Järjestelmän maadoitus on kytketty AC-neutraalijohtoon.

Ylijännitesuoja

CAUTION

Jännitteenvaihtelut saattavat heikentää herkkien elektronisten laitteiden toimintaa.

Elektroniikkalaitteet, mukaan lukien tietokoneet ja monet ohjelmoitavat laitteet, käyttävät komponentteja, jotka on suunniteltu toimimaan kapealla jännitealueella ja joihin hetkelliset jännitteenvaihtelut voivat vaikuttaa. Jännitteen heilahteluja ei voida estää, mutta voit suojata herkkiä elektronisia laitteita.

1. *Asenna CSA-luettelossa olevat UL1449-lisälaitteiden ylijännitesuojat herkkiä laitteita syöttäviin pistorasioihin.*

Ylijännitesuojat toimitetaan yhdelle tai useammalle pistorasialle. Ne on suunniteltu suojaamaan käytännöllisesti katsoen kaikilta lyhytaikaisista jännitteenvaihteluilta.

Moottorin käynnistäminen

1. Sijoita generaattori tasaiselle alustalle.
2. Kytke irti kaikki sähkökuormat generaattorista. Älä koskaan käynnistä tai pysäytä generaattoria, joka on kytkettynä sähköverkkoon tai päällä.
3. Käännä polttoaineventtiili ON-asentoon.
4. Vedä rikastinvipu CHOKE-asentoon.
5. Taita virta-avain ON-asentoon.
6. Mallit, joissa on SÄHKÖSTARTTI: Pidä virta-avain painettuna START-asentoon. Vapauta moottorin alkaessa pyöriä. Jos moottori ei käynnisty viiden sekunnin kuluessa, vapauta kytkin ja odota vähintään kymmenen sekuntia ennen kuin yrität käynnistää moottorin uudelleen.
7. VETOSTARTTI: Vedä käynnistysnarusta hitaasti, kunnes tuntuu vastusta, ja vedä sitten narusta nopeasti.
8. Älä ryppytä liikaa. Heti kun moottori käynnistyy, siirrä rikastinvipu asentoon RUN.

Moottorin käynnistäminen, jatkoa

NOTE

Pidä rikastinvipu Choke-asennossa vain yhden käynnistysvedon ajan. Siirrä ensimmäisen vedon jälkeen rikastinvipu Run-asentoon sisään enintään 3 vedon ajan. Liiallinen ryyppyttäminen aiheuttaa sen, että moottori ei käynnisty.

NOTE

Jos moottori käynnistyy, mutta ei jatka käymistä varmista, että generaattori on tasaisella pinnalla. Moottori on varustettu öljytason anturilla, joka estää moottoria käymästä, jos öljymäärä laskee kriittisen kynnyksen alapuolelle.

NOTE

Kun akkukytkin on ON-asennossa, kytkin syttyy, jos akku lähettää latausta. Jos kytkin ei syty, kun se on ON-asennossa, tarkista, että akkuliitäntä on edelleen kunnossa.

NOTE

Mukana toimitettu 12 V 15 AH -akku latautuu moottorin käydessä, mutta on myös suositeltavaa, että akku ladataan täyteen vähintään kerran kuukaudessa.

Sähkökuormien kytkeminen

1. Anna moottorin vakautua ja lämmitä muutama minuutti käynnistysjälkeen.
2. Kytke pistoke ja kytke haluamasi 220 voltin yksivaiheinen vaihtovirta, 50 Hz.
 - ÄLÄ kytke 3-vaiheisia kuormia generaattoriin.
 - ÄLÄ kytke 60 Hz kuormia generaattoriin.
 - ÄLÄ ylikuormita generaattoria.

Sähkökuormien kytkeminen, jatkoa

NOTE

Generaattorin kytkeminen sähköyhtiösi linjoihin tai muuhun virtalähteeseen saattaa olla lain vastaista. Lisäksi tämä toimenpide, jos se tehdään väärin, voi vahingoittaa generaattoriasi ja laitteitasi ja aiheuttaa vakavia vammoja tai jopa kuoleman sinulle tai työntekijälle, tai hänelle, joka työskentelee läheisillä voimalinjoilla. Jos aiot käyttää kannettavaa sähkögeneraattoria seisokin aikana, ilmoita siitä välittömästi sähköyhtiöllesi ja muista kytkeä laitteet suoraan generaattoriin. Älä kytke generaattoria kotisi pistorasiaan. Se voi muodostaa yhteyden sähköyhtiön sähkölinjoihin. Olet vastuussa siitä, että generaattorisi sähkö ei johdu takaisin sähköverkkoihin. Jos generaattori kytketään rakennuksen sähköjärjestelmään, ota yhteys paikalliseen sähköyhtiöön tai valtuutettuun sähköasentajaan. Liitäntöjen on eristettävä generaattorin virta sähköverkosta ja niiden on noudatettava kaikkia sovellettavia lakeja ja määräyksiä.

Moottorin pysäyttäminen

1. Sammuta ja irrota kaikki sähkökuormat. Älä koskaan käynnistä tai pysäytä generaattoria, joka on kytkettynä sähköverkkoon tai päällä.
2. Anna generaattorin käydä ilman kuormaa useita minutteja moottorin ja generaattorin sisäisten lämpötilojen tasaamiseksi.
3. Käännä polttoaineventtiili OFF-asentoon.
4. Anna moottorin käydä, kunnes polttoaineen puute on pysäyttänyt moottorin. Tämä kestää yleensä muutaman minuutin.
5. Paina virta-avain OFF-asentoon.

Tärkeää: Varmista aina, että polttoaineventtiili ja virta-avain ovat OFF-asennossa, kun moottoria ei käytetä.

NOTE

Jos moottoria ei käytetä vähintään kahteen (2) viikkoon, katso kohdasta Varastointi lisätietoja moottorin ja polttoaineen asianmukaisesta varastoinnista.

Älä ylikuormita generaattoria

Kapasiteetti

Noudata näitä yksinkertaisia ohjeita laskeaksesi käyttötarkoituksesi kannalta tarpeellinen käyttö- ja käynnistysteho.

1. Valitse sähkölaitteet, joita aiot käyttää samanaikaisesti.
2. Näiden kohteiden käytönaikainen wattien kokonaisuus. Tämä on se määrä tehoa, joka tarvitaan niiden pitämiseen käynnissä.
3. Tunnista kaikkien vaiheissa 1 yksilöityjen laitteiden suurin lähtöteho. Lisää tämä numero vaiheissa 2 laskettuun numeroon. Ylijännite on ylimääräinen virranpurkaus, jota tarvitaan joidenkin sähkökäyttöisten laitteiden käynnistämiseen. Kohdassa "Virranhallinta" lueteltujen vaiheiden noudattaminen takaa, että vain yksi laite käynnistyy kerrallaan.

Virranhallinta

Käytä seuraavaa kaavaa muuntaaksesi jännite ja ampeerit wateiksi:

$$\text{Voltti} \times \text{ampeeri} = \text{watti}$$

Voit pidentää generaattorisi ja siihen liitettyjen laitteiden käyttöikää lisäämällä sähkökuormaa seuraavia ohjeita noudattaen:

1. Käynnistä generaattori ilman sähkökuormaa
2. Anna moottorin käydä useita minutteja tasaantumista varten.
3. Kytke virta ja käynnistä ensimmäinen laite. On parasta kiinnittää ensin laite, jolla on suurin kuorma.
4. Anna moottorin tasaantua.
5. Kytke virta ja käynnistä seuraava laite.
6. Anna moottorin tasaantua.
7. Toista vaiheet 5-6 jokaisen uuden laitteen kohdalla.

Käyttö korkealla

Huomaa, että moottorin teho voi laskea ja pakokaasupäästöt kasvaa käytettäessä laitetta korkealla. Muita korkean ongelmia voivat olla kovat käynnistykset, lisääntynyt polttoaineenkulutus ja sytytystulppien likaantuminen. Tämä on luonnollista, eikä asiaa voida muuttaa säätämällä moottoria.

NOTE

Älä koskaan ylitä määritettyä kapasiteettia lisättäessä kuormia generaattoriin.

MAINTENANCE AND STORAGE

Omistaja/käyttäjä on vastuussa kaikista määräaikaishuolloista.

⚠ WARNING

Älä koskaan käytä vaurioitunutta tai viallista generaattoria.

⚠ WARNING

Tehdasasetusten muuttaminen mitätöi takuun.

⚠ WARNING

Väärä huolto mitätöi takuun.

NOTE

Päästöjenrajoituslaitteiden ja -järjestelmien huoltoa, vaihtoa tai korjausta voi suorittaa kuka tahansa korjaamo tai luvan saanut henkilö.

Suorita kaikki määräaikaishuollot oikeaan aikaan. Korjaa kaikki ongelmat ennen generaattorin käyttöä.

Moottorin huolto

Tahattoman käynnistymisen estämiseksi pitää sytytystulpan johdin irrottaa ja maadoittaa ennen minkään huollon suorittamista.

Öljy

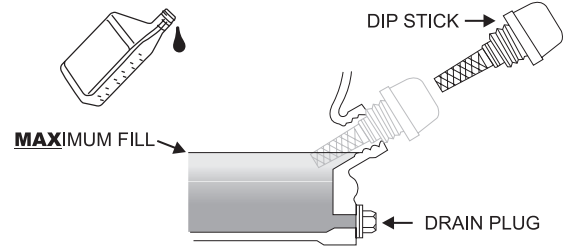
Vaihda öljy moottorin ollessa lämmin. Katso öljytiedoista sopiva öljyalaatu käyttöympäristöllesi.

1. Irrota öljyn tyhjennystulppa 15 mm:n kannalla ja jatkeella (ei sisälly toimitukseen).
2. Anna öljyn valua kokonaan pois.
3. Kiinnitä tyhjennystulppa takaisin.
4. Irrota öljytäyttökorkki/mittatikku öljyn lisäämiseksi.
5. Lisää öljy ja aseta öljytäyttökorkki/mittatikku paikalleen. ÄLÄ TÄYTÄ LIIKAA.
6. Hävitä käytetty öljy hyväksytyssä jätehuoltolaitoksessa.

Öljy, jatkoa

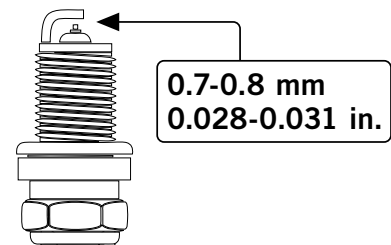
NOTE

Kun öljyä on lisätty, silmämääräisessä tarkastuksessa tulee näkyä öljyä noin 1-2 kierteen mitalta täyttöaukosta. Jos käytät mittatikkua öljytason tarkistamiseen, ÄLÄ ruuvaa mittatikkua tarkistuksen aikana.



Sytytystulpat

1. Irrota sytytystulpan johto.
2. Irrota tulppa.
3. Tarkasta tulpan elektrodi. Sen on oltava puhdas eikä se saa olla kulunut syttymiseen tarvittavan kipinän tuottamiseksi.
4. Katso sytytystulpan tiedot tämän mallin "Tekniset tiedot" -sivulta.
5. Kierrä tulppa huolellisesti kiinni.
6. Asenna tulppa tukevasti sytytystulpan työkaluun (ei sisälly toimitukseen).
7. Kiinnitä sytytystulpan johto pistokkeeseen.



OEM-sytytystulppa: F6RTC

Varasytytystulppa: NGK BPR6ES tai vastaava

Varmista, että *sytytystulpan väli on 0,7 - 0,8 mm tai (0,028 - 0,031 tuumaa).

Huoltoventtiilin välys

- Saanti: 0.13 - 0.17 mm (0.005 - 0.007 in.)

- Pakokaasu: 0.18 - 0.22 mm (0.007 - 0.009 in.)

Huomautus: Tekninen tiedote venttiilin säädöstä menettely on osoitteessa www.championpowerequipment.com

Ilmansuodatin

1. Irrota napsautuskansi, joka pitää ilmansuodatinta kiinni.
2. Poista vaahtomuovielementti.
3. Pese nestemäisessä pesuaineessa ja vedessä. Kuivaa huolellisesti puhtaalla liinalla.
4. Kyllästä puhtaalla moottoriöljyllä.
5. Kuivaa huolellisesti imukykyisellä liinalla ylimääräinen öljy pois.
6. Aseta suodatin paikalleen.
7. Asenna ilmansuodattimen kansi takaisin paikalleen.

Kipinäestín

1. Anna moottorin jäähtyä kokonaan ennen kipinäestimen huoltoa.
2. Irrota ruuvit, jotka pitävät kansilevyä kiinni, joka puolestaan pitää kipinäestimen päätä kiinni äänenvaimentimessa.
3. Irrota kipinäestín.
4. Poista hiilijäämät varovasti kipinäestimestä teräsharjalla.
5. Vaihda kipinäestín, jos se on vaurioitunut.
6. Aseta kipinäestín äänenvaimentimeen ja kiinnitä kolmella ruuvilla.

! CAUTION

Kipinäestimen puhdistamatta jättäminen heikentää moottorin suorituskykyä.

NOTE

Lainsäädännössä ja hallinnollisissa vaatimuksissa ilmoitetaan, milloin ja missä kipinävaimentimia vaaditaan.

Puhdistaminen

! CAUTION

ÄLÄ suihkuta moottoria vedellä.

Vesi voi saastuttaa polttoainejärjestelmän.

Puhdista moottorin ulkopinnat kostealla liinalla. Poista lika ja öljy pehmeällä harjalla. Puhdista lika ja roskat moottorista kompressorilla (25 PSI).

Säädöt

Ilma-polttoaineseosta ei voida säätää. Säätimen muuttaminen voi vahingoittaa generaattoriasi ja sähkölaitteitasi ja mitätöidä takuun. CPE suosittelee, että otat yhteyttä paikalliseen jälleenmyyjään kaikissa muissa huolto- ja / tai säätötarpeissa.

Huoltovälit

Noudata seuraavassa huoltoaikataulussa ilmoitettuja huoltovälejä.

Huolla generaattoria useammin, jos työskentelet epäsuotuisissa olosuhteissa.

Aina 8 tunnin välein tai päivittäin	
	Tarkista öljyn määrä
	Puhdista ilman imuaukon ja äänenvaimentimen ympäriltä
Ensimmäiset 5 käyttötuntia	
	Vaihda öljy
Aina 50 käyttötunnin jälkeen tai kerran kaudessa	
	Puhdista ilmansuodatin
	Vaihda öljy, jos työskentelet raskaalla kuormituksella tai kuumassa ympäristössä
Aina 100 tunnin välein tai kerran kaudessa	
	Vaihda öljy
	Puhdista/säädä sytytystulppa
	Tarkista/säädä venttiilin vällys *
	Puhdista kipinäestín
	Puhdista polttoainesäiliö ja suodatin*
Aina 250 tunnin välein	
	Puhdista palokammio*
Aina 3 vuoden välein	
	Vaihda polttoaineletku

*Suorittavat asiantuntevat, kokeneet omistajat tai Champion Power Equipment -sertifioidut jälleenmyyjät.

Generaattorin huolto

Varmista, että generaattori pysyy puhtaana ja että sitä varastoidaan oikein. Käytä laitetta vain tasaisella alustalla puhtaassa ja kuivassa käyttöympäristössä. ÄLÄ altista laitetta ääriolosuhteille, liialliselle pölylle, lialle, kosteudelle tai syövyttävälle höyryille.

! CAUTION

ÄLÄ käytä puutarhaletkua generaattorin puhdistamiseen.

Vesi voi päästä generaattoriin jäähdytysaukkojen kautta ja vaurioittaa generaattorin käämejä.

Puhdista generaattorin ulkopinnat kostealla liinalla. Poista lika ja öljy pehmeällä harjalla. Puhdista lika ja roskat generaattorista kompressorilla (25 PSI). Tarkasta kaikki tuuletusaukot ja jäähdytysaukot varmistaaksesi, että ne ovat puhtaat ja esteettömät.

MAINTENANCE AND STORAGE

Varastointi

Generaattori on käynnistettävä vähintään kerran 14 päivässä ja annettava käydä vähintään 20 minuutin ajan. Noudata näitä ohjeita pidempään varastoitaessa.

Generaattorin varastointi

1. Lisää oikeaa polttoainetta säiliöön.
2. Varmista, että kaikki laitteet on irrotettu generaattorista.
3. Käytä generaattoria muutama minuutti, jotta käsitelty polttoaine ehtii kiertää polttoainejärjestelmän ja kaasuttimen läpi.
4. Käännä polttoaineventtiili OFF-asentoon.
5. Anna generaattorin käydä, kunnes polttoaineen puute on pysäyttänyt moottorin. Tämä kestää yleensä muutaman minuutin.
6. Generaattorin täytyy jäähtyä täysin ennen puhdistamista ja varastointia.
7. Puhdista generaattori huolto-osion mukaisesti.
8. Vaihda öljyt.
9. Irrota sytytystulppa ja kaada noin 15 ml öljyä sylinteriin. Kierrä moottoria hitaasti öljyn jakamiseksi tasaisesti ja sylinterin voitelemiseksi.
10. Kiinnitä sytytystulppa takaisin.
11. Säilytä laitetta puhtaassa, kuivassa paikassa, joka ei ole suorassa auringonvalossa.

Akku

Osa runkotyypeistä on varustettu automaattisella akun latauspiirillä. Akku saa latausjännitteensä moottorin käydessä. Akku ylläpitää asianmukaista latausta, jos laitetta käytetään säännöllisesti (noin joka toinen viikko). Jos akkua käytetään harvemmin, akku on kytkettävä laturiin tai akun ylläpitäjään, jotta akku pysyy oikein ladattuna. Jos akku ei pysty käynnistämään moottoria, moottori voidaan käynnistää vetämällä manuaalisesti moottorin käynnistysnarua. Jos akun jännite on erittäin alhainen, latauspiiri ei ehkä pysty lataamaan akkua uudelleen. Siinä tapauksessa akku on kytkettävä tavalliseen auton akkulaturiin uudelleenlatausta varten, ennen kuin sitä voidaan käyttää.

Akun lataaminen

Akulla varustetun generaattorin kohdalla sähkökäynnistyksessä on noudatettava akkujen asianmukaista huolto- ja varastointiohjeita. Automaattista akkulaturia (ei sisälly toimitukseen), jossa on automaattinen latausominaisuus, tulisi käyttää akun lataamiseen. Suurin latausnopeus ei saa ylittää 1,5 ampeeria. Noudata akkulaturin mukana toimitettuja ohjeita. Akku on ladattava täyteen vähintään kerran kuukaudessa.

NOTE

Kelluva laturi ylläpitää akun tilaa pitkiä varastointiaikoja.

Akun irrottaminen

1. Poista suojakotelo akun mustasta miinusjohdosta.
2. Irrota musta / miinusjohto akun mustasta / miinusnavasta ja säilytä kantaruuvi ja lukkoaluslevy.
3. Toista vaiheet 1-2 punaisen/plusjohdon kohdalla.
4. Säilytä akkua viileässä, kuivassa paikassa.

⚠ DANGER

Generaattorin pakokaasu sisältää hajutonta ja väritöntä hiilimonoksidikaasua.

Seuraavia varoimenpiteitä on noudatettava, jotta vältetään sähkökäynnistysgeneraattorin vahingossa tapahtuva käynnistyminen varastoinnin aikana:

- Kun varastoit generaattoria lyhyemmän ajan varmista, että virta-avain ja polttoaineventtiili ovat OFF-asennossa.
- Kun varastoit generaattoria pidemmän ajan varmista, että virta-avain ja polttoaineventtiili ovat OFF-asennossa ja että akkukaapelit on irrotettu akusta.

Ongelma	Syy	Ratkaisu
Generaattori ei käynnisty	Ei polttoainetta	Lisää polttoainetta
	Viallinen sytytystulppa	Vaihda sytytystulppa
	Laitetta on ladattu käynnistyksen aikana	Poista laitteen kuormitus
Generaattori ei käynnisty. Generaattori käynnistyy, mutta käy karkeasti.	Öljyn määrä alhainen	Täytä kampikammio oikeaan tasoon
		Sijoita generaattori tasaiselle alustalle
	Rikastin on väärässä asennossa.	Säädä rikastinta.
Sytytystulpan johdin löysällä	Kiinnitä johdin sytytystulppaan	
Generaattori ei käynnisty sähköisesti	Generaattorin akku on tyhjä	Lataa generaattorin akku
Generaattori sammuu kesken käytön	Polttoaine lopussa	Täytä polttoainesäiliö
	Öljyn määrä alhainen	Täytä kampikammio oikeaan tasoon. Sijoita generaattori tasaiselle alustalle
Generaattori ei pysty toimittamaan tarpeeksi virtaa tai ylikuumentuu	Generaattori on ylikuormittunut	Tarkista kuorma ja säädä. Lue "Virranhallinta"
	Ilmankierto ei riitä	Tarkista ilmankierroon esteet. Siirrä hyvin tuuletettuun tilaan
Ei vaihtovirtasyöttöä	Kaapeli on väärin kytketty	Tarkista kaikki liitännät
	Liitetty laite on viallinen	Vaihda viallinen laite
	Vikavirtasuoja on avoinna	Kuittaa vikavirtasuoja
	Viallinen harjakokoonpano	Vaihddata harjakokoonpano (huollossa)
	Viallinen automaattinen jännitteensäädin	Vaihda automaattinen jännitteensäädin (huollossa)
	Johdotus löysällä	Tarkista ja kiristä johtoliitokset
	Muu	Ota yhteys tukeen.
Generaattori laukkaa	Moottorin ohjain viallinen	Ota yhteys tukeen
Toistuva vikavirtasuojan laukeaminen	Ylikuorma	Tarkista kuorma ja säädä. Lue "Virranhallinta"
	Vialliset johdot tai laite	Tarkista vaurioiden, paljaiden tai kuluneiden johtojen varalta. Vaihda viallinen laite

INTRODUCTION

Sissejuhatus

Õnnitleme generaatori ostmise puhul. Palun järgige neid juhiseid ja hooldage masinat õigesti.

Kaasaskantav Elektrigeneraator

See seade on bensiinimootoriga töötav vahelduvvoolu generaator, mida kasutatakse elektritoiteks.

Lisatarvikud

CPE toodab ja tarnib mitmeid tarvikuid. Lisateabe saamiseks pöörduge kohaliku edasimüüja poole.

See brošüür

Me jätame endale õiguse muuta või täiustada toodet ja käesolevat kasutusjuhendit ilma eelneva etteteatamiseta.

Märkige mudeli- ja seerianumber ning ostukuupäev ja -koht edaspidiseks kasutamiseks. Hoidke see teave käepärast varuosade tellimisel ja tehniliste või garantiipäringute tegemisel.

Champion Power seadmete tugi
Mudeli number
Seerianumber
Ostukuupäev
Ostu asukoht
Õlitüübi kohta vaadake jaotist „Mootoriõli lisamine“. Kütuse tüübi kohta vaadake jaotist „Kütuse lisamine“.

Palun tutvuge järgmiste sümbolitega. Ohutussümbol ja võtmesõnad on hoiatused. Õnnetuste ja vigastuste vältimiseks järgige kõiki hoiatussõnumeid.

DANGER

OHT tähistab ohtlikku olukorda, mille vältimise korral **võib** see põhjustada surma või raskeid vigastusi.

WARNING

HOIATUS tähistab potentsiaalselt ohtlikku olukorda, mille vältimise korral **võib** tagajärjeks olla surm või tõsine vigastus.

CAUTION

ETTEVAATUST tähistab potentsiaalselt ohtlikku olukorda, mille vältimine **võib** põhjustada kergeid või mõõdukaid vigastusi.

CAUTION

ETTEVAATUST, mida kasutatakse ilma ohutushoiatuse sümbolita, viitab potentsiaalselt ohtlikule olukorrale, mille vältimise korral **võib** tekkida varaline kahju.

NOTE

Kui teil on küsimusi oma generaatori kohta, siis saame aidata. Võtke ühendust kohaliku edasimüüjaga.

SAFETY RULES

WARNING

Enne generaatori kasutamist lugege see kasutusjuhend põhjalikult läbi. Juhiste eiramine võib põhjustada tõsiseid vigastusi või surma.

WARNING

Selle toote mootori heitgaas sisaldab kemikaale, mis võivad põhjustada tõsiseid terviseprobleeme ja isegi surma.

DANGER

Generaatori heitgaasid sisaldavad süsinikmonoksiidi, värvitut ja lõhnatut mürggaasi. Süsinikmonoksiidi sissehingamine põhjustab iiveldust, pearinglust, minestust või surma. Kui teil hakkab pea ringi käima või tunnete end nõrgalt, minge kohe värske õhu kätte.

Kasutage generaatorit väljas ainult hästi ventileeritud kohas.

ÄRGE kunagi kasutage generaatorit mis tahes hoones, sealhulgas garaažides, keldrites, tunnelites ja varjualustes, kambrites või ruumides, sealhulgas rahvarohketes kohtades.

VÄLTIGE heitgaaside sattumist kinnistesse ruumidesse akende, uste, tuulutusavade või muude avade kaudu.

SÜSINIKDIOKSIIDI OHT: generaatori kasutamine siseruumides **VÕIB TEID MINUTIDEGA TAPPA.**

DANGER

Käed, jalad, juuksed, riided ja tarvikud võivad takerduda pöörlevatesse osadesse. Tulemuseks võib olla traumaatiline amputatsioon või raske rebenemine.

Hoidke käed ja jalad pöörlevatest osadest eemal. Siduge pikad juuksed kokku ja eemaldage ehted. Kasutage seadmeid, millele on kohaldatud kaitsevahendid.

ÄRGE kandke lahtiseid ja rippuvaid riideid või esemeid, mis võivad kinni jääda.

DANGER

Generaator toodab võimsat pinget.

ÄRGE puudutage lahtiseid juhtmeid ega pistikupesasid.

ÄRGE kasutage kulunud ega kahjustatud elektrijuhtmeid.

ÄRGE kasutage generaatorit märja ilmaga.

ÄRGE lubage lastel või kvalifitseerimata isikutel generaatorit kasutada või hooldada.

Kasutage maandusvoolukatkestajat (GFCI) niisketes ruumides ja ruumides, mis sisaldavad elektrit juhtivat materjali, nagu näiteks metallplaadid.

Kasutage heakskiidetud ülekandeseadmeid, et isoleerida generaator oma elektrivõrgust ja teavitada oma kommunaaltevõtet enne generaatori elektrisüsteemiga ühendamist.

WARNING

Sädemed võivad põhjustada tulekahju või elektrilöögi.

Generaatori hooldamisel:

Ühendage süüteküünla juhe lahti ja asetage see nii, et see ei saaks süüteküünlaga kokku puutuda.

ÄRGE kontrollige voolu olemasolu eemaldatud pistikuga. Kasutage ainult heakskiidetud süüteküünla testereid.

WARNING

Töötavad mootorid toodavad soojust. Kokkupuutel võivad tekkida rasked põletused.

Kergestisüttiv materjal võib kokkupuutel süttida.

ÄRGE puudutage kuumi pindu.

Vältige kokkupuudet kuumade heitgaasidega.

Laske seadmetel jahtuda, enne kui neid puudutate.

Hoidke vähemalt 3 jalga (91,4 cm) ruumi igast küljest, et tagada piisav jahutus.

Hoidke vähemalt 5 jalga (1,5 m) kaugust kergestisüttivatest materjalidest.

WARNING

Meditsiiniline ja elutegevust toetavad tegevused.

Hädaolukorras helistage kohe hädaabiteenistusele.

Ärge kunagi kasutage seda toodet elustamisaparaatide või elustamiseseadmete toiteallikana.

Ärge kunagi kasutage seda toodet meditsiiniseadmete ja meditsiini aparatuuride toiteks. Teavitage viivitamatult oma elektritarnijat, kui teie või kellegi teie leibkonnaliikme elu sõltub elektriseadmetest.

Teavitage viivitamatult oma elektritarnijat, kui voolukatkestus põhjustab teile või mõnele teie leibkonnaliikmele hädaabi.

⚠ DANGER

Kütus ja kütuseaurud on väga tule- ja plahvatusohtlikud. Tulekahju või plahvatus võib põhjustada raskeid põletusi või surma. Ebateadlik käivitamine võib põhjustada käe takerdumist, traumaatilist amputatsiooni või rebenemist.

Kütuse lisamisel või eemaldamisel:

Lülitage generaator välja ja laske sellel jahtuda vähemalt kaks minutit enne bensiinikorgi eemaldamist. Paagis oleva rõhu vabastamiseks vabastage kork aeglaselt.

Täitke või tühjendage kütust ainult väljas, hästi ventileeritud kohas.

ÄRGE pumbake bensiini otse generaatorisse bensiinjaamas. Bensiini transportimiseks generaatorisse kasutage alati heakskiidetud kütusemahutit.

ÄRGE täitke bensiinipaaki üle.

Hoidke bensiini alati eemal sädemetest, lahtisest leegist, signaallampidest, kuumusest ja muudest süttimisallikatest.

ÄRGE süüdake lahtist tuld ega suitsetage sigarette generaatori lähedal.

Generaatori käivitamisel:

ÄRGE üritage kahjustatud generaatorit käivitada. Veenduge, et kütusepaagi kork, õhufilter, süüteküünal, kütusevoolikud ja väljalaskesüsteem on korralikult paigas.

Enne mootori käivitamist laske alati välja voolanud bensiinil täielikult aurustuda.

Veenduge, et generaator seisab kindlalt tasasel pinnal.

Generaatori kasutamisel:

Ärge liigutage ega kallutage generaatorit töö ajal. ÄRGE kallutage generaatorit ega laske kütusel või õilil välja voolata.

Generaatori transportimisel või hooldamisel:

Veenduge, et kütusejuurdevool on kinnises asendis ja bensiinipaak on tühi.

Ühendage süüteküünla juhe lahti.

Generaatori ladustamisel:

Hoidke eemal sädemetest, lahtisest leegist, signaallampidest, kuumusest ja muudest süüteallikatest.

⚠ WARNING

Käivitusnööri tagasitõmbamine võib kätt kiiremini mootori poole tagasi tõmmata, kui olete suuteline lahti laskma. Tahtmatu käivitamine võib põhjustada tõsiseid vigastusi. Tulemuseks võivad olla luumurrud, mõrad, verevalumid või nihestused.

Mootori käivitamisel tõmmake käivitusnööri aeglaselt, kuni tunnete vastupanu, ja tõmmake seejärel kiiresti, et vältida tagasilööki. ÄRGE käivitage ega peatage mootorit, kui sellega on ühendatud elektriseadmed.

⚠ CAUTION

Generaatori töövõimsuse ületamine võib kahjustada generaatorit ja/või sellega ühendatud elektriseadmeid.

ÄRGE koormake generaatorit üle. Käivitage generaator ja laske mootoril stabiliseeruda enne elektriliste koormuste ühendamist. Ühendage elektriseadmed väljalülitatud asendis ja seejärel lülitage need tööks sisse. Enne generaatori väljalülitamist lülitage elektriseadmed välja. ÄRGE muutke reguleeritud kiirust. ÄRGE muutke generaatorit mingil viisil.

⚠ CAUTION

Generaatori ebakorrektne kasutamine võib seda kahjustada, lühendada selle kasutusiga ja tühistada garantii.

Kasutage generaatorit ainult ettenähtud otstarbeks. Töötage ainult tasasel pinnal.

Hoidke generaatorit liigse niiskuse, tolmu, mustuse ja vee eest. ÄRGE laske ühelgi materjalil blokeerida jahutusavasid. Kui ühendatud seadmed kuumenevad üle, lülitage need välja ja ühendage generaatorist lahti.

ÄRGE kasutage generaatorit, kui:

- Elektriline väljund on kadunud
- Seadmetest tuleb sädemeid, suitsu või leeki
- Seade vibreerib liigselt

⚠ WARNING

Seadmete kasutamisel võib tekkida sädemeid, mistõttu nende kasutamine kuiva taimestikuga

Vajalik võib olla sädemepüüdja. Operaator peaks võtma ühendust kohalike tuletõrjeasutustega, et saada teavet tuleohutusnõuetega seotud seaduste ja määruste kohta.

ASSEMBLY

Teie generaator nõuab mõningast kokkupanekut. See seade saadetakse meie tehast ilma õlita. Enne kasutamist tuleb seda nõuetekohaselt kütuse ja õliga hooldada.

Kui teil on generaatori kokkupaneku kohta küsimusi, võtke ühendust kohaliku edasimüüjaga. Palun pange seerianumber ja mudelinumber valmis.

Eemaldage generaator transpordikarbist

1. Asetage transpordikarp kindlale, tasasele pinnale.
2. Eemaldage karbist kõik peale generaatori.
3. Lõika kasti iga nurk ettevaatlikult ülevalt alla lahti. Pöörake mõlemad küljed tasaseks vastu maad, et jätta ruumi rattakomplekti ja tugijala paigaldamiseks.

Paigaldage rattakomplekt (valikuline lisavarustus)

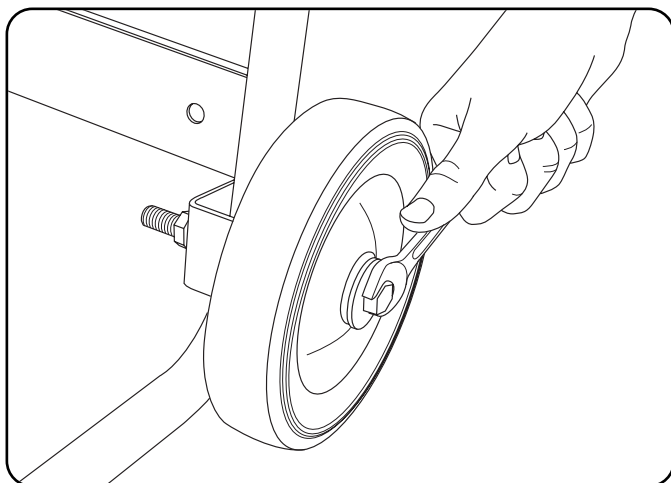
⚠ CAUTION

Rattakomplekt ei ole ette nähtud pikaajaliseks kasutamiseks.

Rataste paigaldamiseks vajate järgmisi tööriistu:

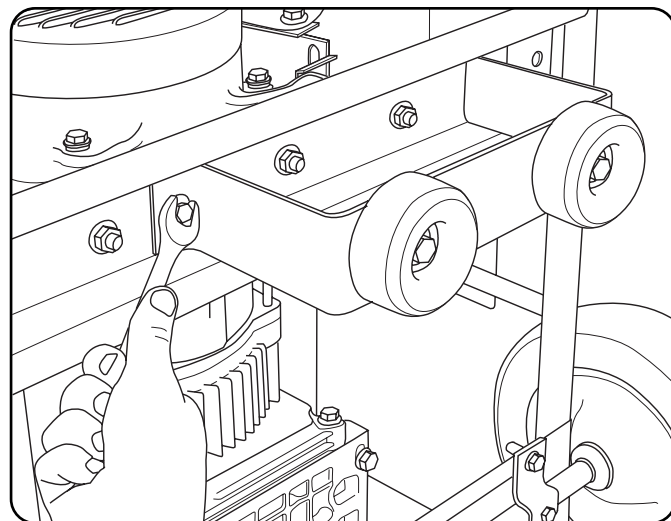
- 17 mm mutrivõti VÕI reguleeritav mutrivõti (ei kuulu komplekti)
- Padrunvõti 16 mm padruniga (ei kuulu komplekti)
- Näpitsad (ei kuulu komplekti)

1. Enne kütuse ja õli lisamist kallutage generaator küljele.
2. Lükake M10x120 äärikupolt läbi seibi, hülsi ja ratta.
3. Lükake polt läbi raami kinnituspunkti.
4. Kinnitage kindlalt M10 lukustusmutriga.
5. Teise ratta kinnitamiseks korrake samme 2–4.



Paigaldage tugijalg

1. Kinnitage vibratsioonialused tugijala külge äärikupoldi M8 x 25 ja ääriku lukustusmutritega.
2. Kinnitage tugijalg generaatori raami külge äärikupoltide M8 x 16 ja ääriku lukustusmutritega ning kinnitage kindlalt. ÄRGE pingutage lukustusmutreid üle.
3. Kallutage generaatorit aeglaselt nii, et see toetuks ratastele ja tugijalale.



Ühendage aku (ainult elektrikäivitusega mudelid)

1. Eemaldage aku punaselt (+) klemmilt kaitsekate.
2. Ühendage punane (+) juhe poldiga (M5x10) aku punase (+) klemmi külge ja kinnitage lukustusseibiga (M5).
3. Korrake samme 1-2 musta (-) akujuhtme jaoks.

Mootoriõli lisamine

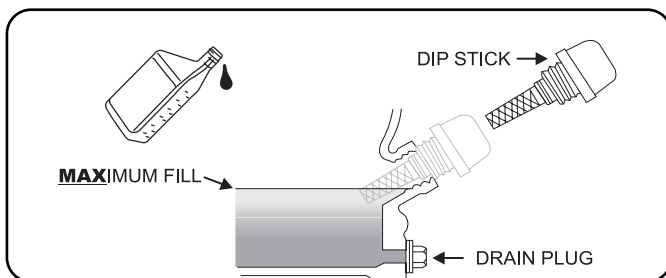
! CAUTION

ÄRGE üritage mootorit käivitada enne, kui see on eelnevalt täidetud õiget tüüpi ja õiges koguses õliga. Nende juhiste eiramise tagajärjel generaatorile tekitatud kahju muudab teie garantii kehtetuks.

NOTE

Soovitatav õlitüüp on 10W-30 mootoriõli.

1. Asetage generaator tasasele ja ühtlasele pinnale.
2. Õli lisamiseks eemaldage õlikork/õlimõõtevarras.
3. Lisage õli ja asetage õlikork/õlimõõtevarras tagasi. ÄRGE TÄITKE ÜLE.
4. Kontrollige mootoriõli taset iga päev ja lisage seda vastavalt vajadusele.



NOTE

Kui õli on lisatud, peaks visuaalne kontroll näitama, et õli on umbes 1-2 kerme kaugusel täitmisavast. Kui kasutate õlitaseme kontrollimiseks mõõtevarrast, ÄRGE keerake seda kontrollimiseks sisse.

CAUTION

See mootor on varustatud madala õlitaseme sulguriga, mis peatab mootori, kui karteri õlitase langeb alla künnise.

Mootoriõli lisamine jätkub.

NOTE

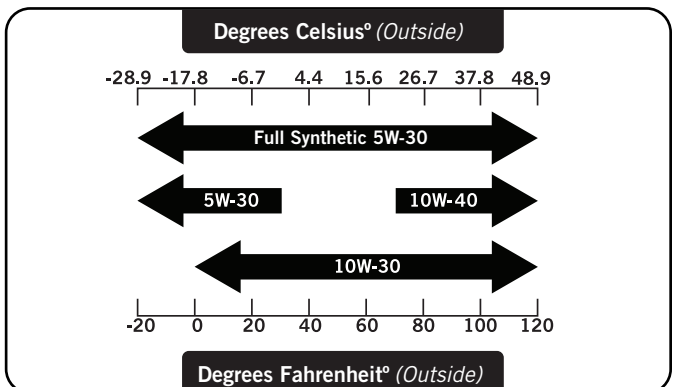
Sissetöötamisperioodi ajal kontrollige õli sagedasti. Soovituslikke hooldustähtaegu vt jaotisest Hooldus.

NOTE

Generaatori rootoril on kinnine, eelmääritud kuullaager, mis ei vaja laagri eluea jooksul täiendavat määret.

NOTE

Me loeme esimesed 5 tundi tööaega seadme sissetöötamisperioodiks. Sissetöötamisperioodi ajal püsige 50% koormuse juures või alla selle ja muutke aeg-ajalt koormust, et staatori mähised saaksid kuumeneda ja jahtuda. Koormuse reguleerimine põhjustab ka mootori pöörlemiskiiruse muutumist ja aitab kolvirõngastel kohale asetuda. Pärast 5-tunnist sissetöötamisperioodi vahetage õli.



NOTE

Temperatuur mõjutab mootoriõli ja mootori jõudlust. Muutke kasutatava mootoriõli tüüpi vastavalt temperatuurile, et see vastaks mootori vajadustele.

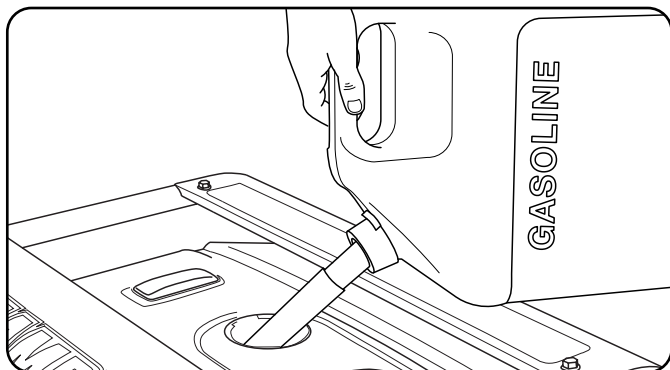
NOTE

Süntetilist õli võib kasutada pärast 5-tunnist esialgset sissetöötamisperioodi. Süntetilise õli kasutamine ei pikenda soovitud õlivahetusintervalli. Täissüntetilise 5W-30 õli aitab käivitada külmas keskkonnas <math>< 5^{\circ}\text{C}</math> (41°F)

ASSEMBLY

Lisage kütust

1. Kasutage puhast, värsket, tavalist pliivaba bensiini, mille minimaalne oktaanarv on 85 ja mille etanoolisisaldus on kuni 10% kogumahust.
2. ÄRGE segage õli kütusega.
3. Puhastage kütusekorgi ümbrus.
4. Eemaldage kütusekork.
5. Lisage aeglaselt kütust paaki. ÄRGE TÄITKE ÜLE. Kütus võib pärast täitmist paisuda. Vähemalt ¼ tolli. Kütuse paisumiseks on paaki vaja jätta ruumi (6,4 mm), rohkem kui ¼ tolli (6,4 mm) on soovitatav. Ületäitmise korral võib kütus paisumise tagajärjel paagist välja tungida ja mõjutada generaatori stabiilset tööseisundit. Paagi täitmisel on soovitatav jätta kütusele piisavalt ruumi, et see saaks paisuda.
6. Keerake bensiini kork kinni ja pühkige ära välja



tilkunud kütus.

! CAUTION

Kasutage tavalist pliivaba bensiini minimaalse oktaanarvuga 85.

Ärge segage õli ja bensiini.

Täitke paak umbes ¼ tollini (6,4 mm) allpool paagi ülemist osa, et võimaldada bensiini paisumist.

ÄRGE pumbake bensiini otse generaatorisse bensiinjaamas. Bensiini transportimiseks generaatorisse kasutage alati heakskiidetud kütusemahutit. ÄRGE täitke kütusepaaki siseruumides. ÄRGE täitke kütusepaaki, kui mootor töötab või on kuum. ÄRGE täitke bensiinipaaki üle. Kütusepaagi täitmisel ÄRGE süüdake sigarette ega suitsetage.

! WARNING

Kui kütust valatakse liiga kiiresti läbi kütusesõela, võib kütus tankimise ajal operaatori peale sattuda.

Kütuse lisamine jätkub.

NOTE

Meie mootorid töötavad hästi 10% või vähem etanooliga segatud kütustega. Kütusesegude kasutamisel on mõned probleemid, mida tasub tähele panna:

- Etanooli ja bensiini segud võivad imada rohkem niiskust kui bensiin üksi.
- Need segud võivad lõpuks eralduda, jättes paaki, kütuseventiili ja karburaatorisse vett või vesist lima.
- Gravitatsioonijõuga kütusevarustuse puhul võib see kahjustatud kütus sattuda karburaatorisse ja põhjustada mootorikahjustusi ja/või võimalikke ohte.
- On vaid mõned kütusestabilisaatori tooted, mis on loodud töötama etanooli segukütustega.
- Tootja garantii ei hõlma mis tahes kahjustusi või ohte, mis on põhjustatud ebaõigesti kasutatud kütuse, valesti ladustatud kütuse ja/või valesti valmistatud stabilisaatorite kasutamisest.

Kui seadet ei kasutata kauem kui 30 päeva, on soovitatav alati kütusevarustus sulgeda, mootor kütusest tühjaks töötada ja paak tühjendada.

! WARNING

Kui generaator ei ole korralikult maandatud, võib see põhjustada elektrilöögi.

Toitepaneelil on maandusklemm, mis on ühendatud generaatori raami külge. Kaugmaandamiseks ühendage suuregabariidiline (vähemalt 12 AWG) vasktraat generaatori maandusklemmide ja maapinnale paigaldatud vaskvarda vahele. Soovitame tungivalt konsulteerida kvalifitseeritud elektrikuga, et tagada vastavus kohalikele elektriseadustikele.

Maandus

Teie generaator peab olema korralikult ühendatud maandusega, et vältida elektrilööki.

Generaatori asukoht

Ärge kunagi kasutage generaatorit üheski hoones! (Vt ohutuseeskirja jaotist). Mõnes piirkonnas tuleb generaatorid registreerida kohalikus kommunaalettevõttes. Ehitusplatsidel kasutatavate generaatorite suhtes võivad kehtida kohalikud eeskirjad ja regulatsioonid. Hoida tasasel, ühtlasel pinnal. Generaatorid peavad olema vähemalt 1,5 m (5 jalga) kaugusel kergesti süttivatest materjalidest. Lisaks peab nende kõikidel külgedel olema vähemalt 3 jalga (91,4 cm) vaba ruumi, et võimaldada piisavat jahutamist, ning ruumi hoolduse ja teeninduse jaoks. Generaatoreid ei tohi kunagi käivitada ega kasutada kohas, mis ei võimalda generaatori ja/või summuti piisavat jahutamist. Enne ladustamist või transportimist laske generaatoritel jahtuda. Ärge asetage generaatorit ventilatsiooni- või sisselaskeavade lähedusse. Generaatori paigutamisel arvestage hoolikalt tuule ja õhuvooludega.

Nõuetekohaste ohutusabinõude eiramine võib tühistada tootja garantii.

WARNING

Ärge kasutage ega hoiustage generaatorit vihma, lume või märja ilmaga.

Generaatori või elektriseadme kasutamine niisketes tingimustes, näiteks vihma või lume korral või basseini või vihmuti lähedal või kui teie käed on märjad, võib põhjustada elektrilöögi.

WARNING

Töö ajal muutuvad nii summuti kui ka tekkivad heitgaasid kuumaks. Kui puudub piisav jahutusruum või kui generaator on blokeeritud või suletud, võib temperatuur väga kuumaks minna ja põhjustada tulekahju.

Maandus

Generaatorisüsteemi maandus ühendab raami toitepaneeli maandusklemmidega. Süsteemi maandus on ühendatud AC vahelduvvoolu neutraalse juhtmega.

Liigpingekaitse

CAUTION

Pinge kõikumine võib kahjustada tundlike elektroonikaseadmete nõuetekohast toimimist.

Elektroonikaseadmed, sealhulgas arvutid ja paljud teised programmeeritavad seadmed kasutavad komponente, mis on kavandatud töötama kitsas pingevahemikus ja mida võivad mõjutada hetkelised pingekõikumised. Kuigi pingekõikumisi pole võimalik vältida, võite võtta meetmeid tundlike elektroonikaseadmete kaitsmiseks.

1. Paigaldage UL1449, CSA-loetletud liigpingekaitse tundlike seadmete jaoks.

Liigpinge summutajad on saadaval ühe või mitme pistikupesaga. Need on loodud kaitsma peaaegu kõigi lühiajaliste pingekõikumiste eest.

Mootori käivitamine:

1. Veenduge, et generaator on tasasel ja ühtlasel pinnal.
2. Ühendage kõik elektrilised koormused generaatorist lahti. ÄRGE käivitage ega peatage mootorit, kui sellega on ühendatud elektriseadmed.
3. Keerake bensiini kütuseklapp asendisse „ON“.
4. Viige õhuklapi hoob asendisse „CHOKE“.
5. Keerake süütelüliti asendisse „ON“.
6. Elektrikäivitusega mudelite puhul: Vajutage ja hoidke süütelüliti (Ignition) asendis „START“. Vabastage, kui mootor hakkab käivituma. Kui mootor ei käivitu viie sekundi jooksul, vabastage lüliti ja oodake vähemalt kümme sekundit, enne kui proovite mootorit uuesti käivitada.
7. KÄSITSI KÄIVITAMINE: Tõmmake käivitusnööri aeglaselt, kuni tunnete vastupanu, ja tõmmake seejärel kiiresti
8. Ärge hoidke õhuklappi (CHOKE) liigselt kinni. Niipea kui mootor käivitub, viige õhuklapi hoob asendisse „RUN“.

Mootori käivitamine Jätkub.

NOTE

Hoidke õhuklapi hooba „Choke“ asendis ainult üheks tõmbeks. Pärast esimest tõmmet liigutage õhuklapi hoob tagasitõmbekäiviti järgmiseks 3 tõmbeks asendisse „Run“. Liigne õhuklapi kinnihoidmine ei lase mootoril käivituda.

NOTE

Kui mootor käivitub, kuid ei jätkata töötamist, veenduge, et generaator on tasasel ja ühtlasel pinnal. Mootor on varustatud madala õlitase anduriga, mis takistab mootori töötamist, kui õlitase langeb alla kriitilise piirmäära.

NOTE

Kui aku lüliti on asendis „ON“ ja akus on vool, siis tuluke põleb. Kui tuluke ei põle „ON“ asendis, kontrollige, et aku ühendus oleks endiselt korras.

NOTE

Kaasasolev 12V 15AH aku laeb mootori töötamise ajal, kuid samuti on soovitatav aku täis laadida vähemalt kord kuus.

Elektriliste koormuste ühendamine

1. Laske mootoril pärast käivitamist paar minutit rahulikult töötada ja üles soojeneda.
2. Ühendage ja lülitage sisse soovitud 220 V vahelduvvoolu ühefaasiline, 50 Hz elektrikoormus.
 - ÄRGE ühendage generaatoriga kolmefaasilisi koormusi.
 - ÄRGE ühendage generaatoriga 60 Hz koormusi.
 - ÄRGE koormake generaatorit üle.

Elektrikoormuste ühendamine Jätkub.

NOTE

Generaatori ühendamine elektrivõrguettevõtte elektriliinidega või mõne muu vooluallikaga võib olla seadusega vastuolus. Lisaks võib see tegevus kahjustada teie generaatorit ja seadmeid ning põhjustada tõsiseid vigastusi või isegi surma nii teile kui ka läheduses asuvatele elektriliinidel töötavatele inimestele. Kui te kavatsete elektrikatkestuse ajal kasutada kaasaskantavat elektrigeneraatorit, teavitage sellest kohe oma elektritootjat ja ärge unustage ühendada oma seadmeid otse generaatoriga. Ärge ühendage generaatorit ühegi koduse pistikupesaga külge. See võib tekitada ühenduse kommunaalettevõtte elektriliinidega. Te vastutate selle eest, et teie generaatori elekter ei satuks tagasi elektriliinidesse. Kui generaator ühendatakse hoone elektrisüsteemiga, konsulteerige kohaliku kommunaalettevõtte või kvalifitseeritud elektrikuga. Ühendused peavad eraldama generaatori voolu elektrivõrgust ning vastama kõigile kohaldatavatele seadustele ja eeskirjadele.

Mootori seiskamine

1. Lülitage välja ja eemaldage kõik ühendatud elektrilised koormused. ÄRGE käivitage ega peatage mootorit, kui sellega on ühendatud elektriseadmed.
2. Laske generaatoril mitu minutit ilma koormuseta töötada, et stabiliseerida mootori ja generaatori sisetemperatuur.
3. Keerake kütuseklapp asendisse „OFF“ (KINNI).
4. Laske mootoril töötada, kuni kütuse puudus mootori seiskab. See võtab tavaliselt paar minutit.
5. Vajutage süütelüliti (Ignition) asendisse „OFF“.

Tähtis: Kui mootorit ei kasutata, veenduge alati, et kütuseklapp ja süütelüliti oleksid asendis „OFF“.

NOTE

Kui generaatorit ei kasutata kahe (2) nädala jooksul või kauem, vaadake mootori ja kütuse nõuetekohast ladustamist jaotisest Ladustamine.

Ärge koormake generaatorit üle.

Mahutavus

Järgige neid lihtsaid samme, et arvutada teie jaoks vajalikud alg- ja töövõimsused.

1. Valige elektriseadmed, mida kavatsete samaaegselt kasutada.
2. Arvutage nende seadmete töövattide summa. See on energia hulk, mida vajate oma esemete töös hoidmiseks.
3. Määrake kõigi punktis 1 tuvastatud seadmete suurim algvõimsus. Lisage see arv punktis 2 arvatud arvule. Mõne elektriga töötava seadme käivitamiseks on vaja lisavõimsust. Kui järgite jaotises „Toitejuhtimine“ loetletud samme, on tagatud, et korraga käivitub ainult üks seade.

Toitejuhtimine

Kasutage järgmist valemit, et teisendada pinge ja voolutugevus vattideks:

$$\text{Volt} \times \text{Amper} = \text{Vatt}$$

Et pikendada oma generaatori ja sellega ühendatud seadmete eluiga, järgige elektrilise koormuse lisamiseks järgmisi samme:

1. Käivitage generaator ilma elektrilise koormuseta
2. Laske mootoril mitu minutit töötada, et see stabiliseeruks.
3. Ühendage ja lülitage esimene seade sisse. Mõistlik on kõigepealt ühendada kõige suurema võimsusega seade.
4. Laske mootoril stabiliseeruda.
5. Ühendage ja lülitage järgmine seade sisse.
6. Laske mootoril stabiliseeruda.
7. Korrake samme 5-6 iga järgneva seadme puhul.

Töötamine suurtel kõrgusel

Pidage meeles, et suurel kõrgusel töötades võib mootori efektiivsus väheneda ja heitgaaside emissioon suurened. Muude kõrgustes esinevate probleemide hulka võivad kuuluda raskendatud käivitamine, suurenenud kütusekulu ja süüteküünla määrdumine. See on loomulik suundumus ja seda ei saa mootori reguleerimisega muuta.

Oluline sõnum temperatuuri kohta

Teie Champion Power Equipment toode on loodud pidevaks tööks õhu temperatuuril kuni 40°C (104°F). Kui on vaja, siis võib teie toodet lühiajaliselt kasutada temperatuurivahemikus -15°C (5°F) kuni 50°C (122°F). Kui toode puutub ladustamise ajal kokku sellest temperatuurivahemikust väljapoole jääva temperatuuriga, tuleb see enne kasutamist sellesse vahemikku tagasi viia. Igal juhul tuleb toodet alati kasutada õues, hästi ventileeritavas kohas ning eemal ustest, akendest ja muudest tuulutussavadest.

NOTE

Ärge kunagi ületage ettenähtud võimsust, kui lisate generaatorile koormusi.

MAINTENANCE AND STORAGE

Omanik/operatuur vastutab kogu perioodilise hoolduse eest.

! WARNING

Ärge kunagi kasutage kahjustatud või defektset generaatorit.

! WARNING

Tehases seadistatud regulaatoriga manipuleerimine muudab teie garantii kehtetuks.

! WARNING

Ebaõige hooldus muudab teie garantii kehtetuks.

NOTE

Heitkoguste kontrollseadmete ja -süsteemide hooldust, asendamist või remonti võib teostada iga remondiettevõtte või üksikisik.

Viige kõik kavandatud hooldustööd õigeaegselt lõpule. Enne generaatori käivitamist kõrvaldage kõik probleemid.

Mootori hooldus

Juhusliku käivitamise vältimiseks eemaldage ja maandage süüteküünla juhe enne mis tahes hooldustöid.

Õli

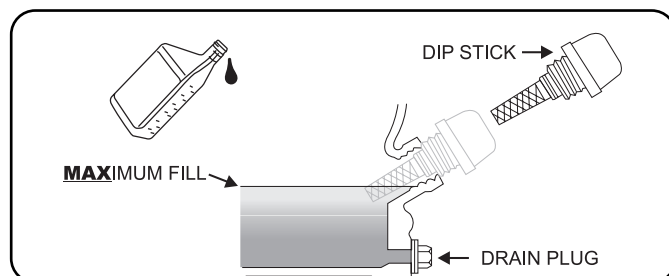
Vahetage õli, kui mootor on soe. Vaadake õli spetsifikatsiooni, et valida teie töökeskkonnale sobiv õliklass.

1. Eemaldage õli äravoolukork 15 mm padrunvõtme ja pikendusega (ei kuulu komplekti).
2. Laske õlil täielikult tühjaks nõrguda.
3. Asetage äravoolukork tagasi.
4. Õli lisamiseks eemaldage õlikork/õlimõõtevarras.
5. Lisage õli ja asetage õlikork/õlimõõtevarras tagasi. **ÄRGE TÄITKE ÜLE.**
6. Kõrvaldage kasutatud õli heakskiidetud jäätmekäitluskeskuses.

Õli jätkub.

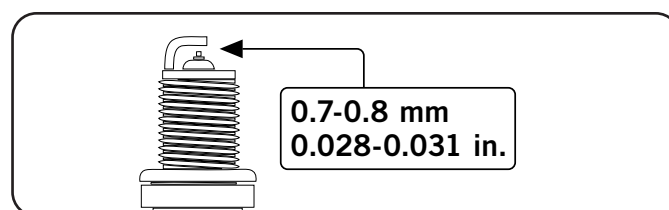
NOTE

Kui õli on lisatud, peaks visuaalne kontroll näitama, et õli on umbes 1-2 keerme kaugusel täitmisavast. Kui kasutate õlitaseme kontrollimiseks mõõtevarrast, ÄRGE keerake seda kontrollimiseks sisse.



Süüteküünlad

1. Eemaldage süüteküünla kaabel süüteküünalt.
2. Eemaldage pistik.
3. Kontrollige pistiku elektroodi. See peab olema puhas ja mitte kulunud, et tekitada süütamiseks vajalik säde.
4. Vaadake süüteküünla teavet, mis asub selle mudeli spetsifikatsiooni lehel.
5. Ettevaatlikult keerake süüteküünal oma pessa.
6. Kasutage küünla tugevaks kinnitamiseks süüteküünla tööriista (ei ole kaasas).
7. Kinnitage süüteküünla juhe süüteküünla külge.



OEM-süüteküünal: F6RTC

Asendussüüteküünal: NGK BPR6ES või samaväärne
Veenduge, et süüteküünla vahe on 0,7-0,8 mm või (0,028-0,031 tolli).

Hooldusventiili tühimik

- Sisselase: 0,13–0,17 mm (0,005–0,007 tolli)
- Väljalase: 0,18–0,22 mm (0,007–0,009 tolli)

Märkus: Tehniline infoleht klapi reguleerimise protseduuri kohta on aadressil www.championpowerequipment.co.uk

Õhufilter

1. Eemaldage pealeklõpsatav kate, mis hoiab õhufiltrit omal kohal.
2. Eemaldage vahtelement.
3. Peske vedela pesuvahendi ja veega. Pigista puhta lapi sees põhjalikult kuivaks.
4. Immutage puhtas mootoriõlis.
5. Üleliigse õli eemaldamiseks väänake puhta, imava lapi sees.
6. Asetage filter oma kohale.
7. Kinnitage õhufiltri kate uuesti ja kinnitage see kohale.

Sädemepüüdja

1. Laske mootoril täielikult jahtuda enne sädemepüüdja hooldamist.
2. Eemaldage katteplaadi kruvid, mis hoiavad sädemepüüdja otsa summuti küljes.
3. Eemaldage sädemepüüdja paneel.
4. Eemaldage ettevaatlikult süsiniku tahm sädemepüüdja paneelilt traatharjaga.
5. Kui sädemepüüdja on kahjustatud, siis asendage see.
6. Asetage sädemepüüdja summutisse ja kinnitage kolme kruviga.

! CAUTION

Sädemepüüdja puhastamata jätmine toob kaasa mootori töövõime vähenemise.

NOTE

Kohalikud seadused ja regulatsioonid näitavad, millal ja kus sädemepüüdjaid vaja on.

Puhastamine

! CAUTION

ÄRGE piserdage mootorit veega.

Vesi võib reostada kütusesüsteemi.

Mootori välispindade puhastamiseks kasutage niisket lappi.

Kasutage mustuse ja õli eemaldamiseks pehmet harja. Kasutage mootorist mustuse ja prahi puhastamiseks õhukompressorit (25 PSI).

Kohandused

Õhu ja kütuse segu ei ole reguleeritav. Regulaatoriga manipuleerimine võib kahjustada teie generaatorit ja elektriseadmeid ning muudab teie garantii kehtetuks. CPE soovib kõigi muude hooldus- ja/või reguleerimisvajaduste osas pöörduda kohaliku edasimüüja poole.

Hooldusgraafik

Järgige järgmises hooldusgraafikus märgitud hooldustähtaegu.

Hooldage oma generaatorit sagedamini, kui see töötab ebasoodsates tingimustes.

Iga 8 tunni järel või iga päev	
	Kontrollige õlitaset
	Puhastage õhu sisselaskeava ja summuti ümbrus
Esimesed 5 tundi	
	Vahetage õli
Iga 50 tunni järel või igal hooajal	
	Puhastage õhufilter
	Vahetage õli, kui töötate suure koormusega või kuumas keskkonnas.
Iga 100 tunni järel või igal hooajal	
	Vahetage õli
	Puhastage/reguleerige süüteküünlaid
	Kontrolli/reguleeri klapivaheid*
	Puhastage sädemepüüdja
	Puhastage kütusepaak ja filter*
Iga 250 tunni järel	
	Puhastage põlemiskamber*
Iga 3 aasta tagant	
	Vahetage kütusevoolik

*Oluline, et seda teostaksid asjatundlikud ja kogenud omanikud või Champion Power Equipmenti sertifitseeritud edasimüüjad.

Generaatori hooldus

Veenduge, et generaator hoitakse puhtana ja seda hoitakse nõuetekohaselt. Kasutage seadet ainult tasasel, ühtlasel pinnal puhtas ja kuivas töökeskkonnas. ÄRGE hoidke generaatorit äärmuslikes tingimustes, liigse

! CAUTION

ÄRGE kasutage generaatori puhastamiseks aiavoolikut.

Vesi võib siseneda generaatorisse läbi jahutusavade ja kahjustada generaatori mähiseid.

tolmu, mustuse, niiskuse või söövitava auru sees.

Mootori välispindade puhastamiseks kasutage niisket lappi.

Kasutage mustuse ja õli eemaldamiseks pehmet harja. Kasutage mootorist mustuse ja tahma puhastamiseks õhukompressorit (25 PSI).

Kontrollige kõiki õhu- ja jahutusavasid, et need oleksid puhtad ja takistusteta.

MAINTENANCE AND STORAGE

Ladustamine

Generaatorit tuleks käivitada vähemalt kord 14 päeva jooksul ja lasta sellel töötada vähemalt 20 minutit. Pikemaajaliseks ladustamiseks järgige järgmisi juhiseid.

Generaatori ladustamine

1. Lisage bensiinipaaki nõuetekohane kütuse stabilisaator.
2. Veenduge, et kõik seadmed on generaatorist lahti ühendatud.
3. Laske generaatoril paar minutit töötada, et töödeldud bensiin läbiks kütusesüsteemi ja karburaatorit.
4. Keerake kütuseklapp asendisse "OFF" (KINNI).
5. Laske generaatoril töötada, kuni kütusevarustuse lõppemine peatab mootori. See võtab tavaliselt paar minutit.
6. Enne puhastamist ja ladustamist peab generaator täielikult jahtuma.
7. Puhastage generaator vastavalt hooldusjuhendile.
8. Vahetage õli.
9. Eemaldage süüteküünel ja valage silindrisse umbes 1/2 untsi (14,8 ml) õli. Õli jaotamiseks ja silindri määrimiseks käivita mootorit aeglaselt.
10. Kinnitage süüteküünel uuesti.
11. Ladustage seadet puhtas ja kuivas kohas, kus ei ole otsesest päikesevalgust.

Aku

Mõned raami tüüpi generaatorid on varustatud automaatse aku laadimisahelaga. Aku laeb iseend, kui mootor töötab. Aku säilib korralikult laetuna, kui seadet kasutatakse regulaarselt (umbes kord iga kahe nädala tagant). Kui seda kasutatakse harvemini, tuleks aku korralikult laetuna hoida laadija või aku hooldajaga. Kui aku ei suuda mootorit käivitada, saab seda teha tagasitõmbenööri käsitsi tõmmates. Kui aku pinge on väga madal, ei pruugi laadimisahel olla võimeline akut laadima. Sel juhul tuleb aku enne kasutamist ühendada tavalise automaatse akulaadijaga, et seda uuesti laadida.

Laadige akut

Elektrikäivitamisega varustatud generaatorite puhul tuleks järgida akude nõuetekohast hooldust ja ladustamist. Aku laadimiseks tuleks kasutada automaatset akulaadijat (ei ole kaasas), millel on automaatse täislaetavuse võimalus. Maksimaalne laadimiskiirus ei tohiks ületada 1,5 amprit. Järgige akulaadijaga kaasasolevaid juhiseid. Aku peaks olema täis laetud vähemalt kord kuus.

NOTE

Float Charger säilitab aku seisundi pika ladustamisperioodi jooksul.

Ühendage aku lahti

1. Eemaldage musta/negatiivse akujuhtme kaitsekate.
2. Ühendage must/negatiivne juhe aku musta/negatiivse klemmi küljest lahti ning hoidke polt ja lukustusseib alles.
3. Korrake samme 1-2 punase/positiivse akujuhtme jaoks.
4. Hoidke akut jahedas ja kuivas kohas.

DANGER

Generaatori heitgaasid sisaldavad süsinikmonooksiidi, värvitut ja lõhnatut mürkgaasi.

Elektrikäivitusega generaatori juhusliku või tahtmatu käivitamise vältimiseks hoiustamise ajal tuleb järgida järgmisi ettevaatusabinõusid:

- Kui hoiustate generaatorit lühikese aja jooksul, veenduge, et süütelüliti ja kütuseventiil oleksid asendis OFF.
- Kui hoiustate generaatorit pikemat aega, veenduge, et süütelüliti ja kütuseklapp on asendis OFF ja aku juhtmed on akust lahti ühendatud.

Probleem	Põhjus	Lahendus
Generaator ei käivitu	Kütus puudub	Lisage kütust
	Vigane süüteküünal	Vahetage süüteküünal välja
	Seade laaditi käivitamise ajal	Eemaldage koormus seadmest
Generaator ei käivitu; Generaator käivitub, kuid töötab halvasti	Madal õlitase	Täitke karterikamber nõuetekohase tasemeni
		Asetage generaator tasasele, ühtlasele pinnale
	Õhuklapp vales asendis. Süüteküünla juhe lahti	Reguleerige õhuklappi. Kinnitage juhe süüteküünla külge
Generaator ei käivitu elektriliselt	Generaatori aku on tühi	Laadige generaatori akut
Generaator lülitub töö ajal välja	Kütus on otsas	Täitke kütusepaak
	Madal õlitase	Täitke karterikamber nõuetekohase tasemeni. Asetage generaator tasasele, ühtlasele pinnale
Generaator ei suuda anda piisavalt voolu või ülekuumeneb	Generaator on ülekoormatud	Vaadake koormus üle ja kohandage. Vt „Toitejuhtimine“
	Ebapiisav ventilatsioon	Otsige õhku piiravaid põhjuseid. Liikuge hästi ventileeritavasse kohta
Vahelduvvoolu väljund puudub	Kaabel ei ole korralikult ühendatud	Kontrollige kõiki ühendusi
	Ühendatud seade on defektne	Vahetage defektne seade.
	Kaitselüliti on sisse lülitatud	Lähtestage kaitselüliti
	Vigane harjade kokkupanek	Vahetage harjade komplekt (teeninduskeskuses)
	Vigane AVR (automaatne pingeregulaator)	Asenda AVR (teeninduskeskuses)
	Lahtine juhtmestik	Kontrollige ja pingutage juhtmestikuühendusi
	Muud	Helistage hädaabi telefonile
Generaator puperdab	Mootori regulaator defektne	Helistage hädaabi telefonile
Korduv kaitselüliti väljalöömine.	Ülekoormus.	Vaadake koormus üle ja kohandage. Vt „Toitejuhtimine“
	Vigased juhtmed või seade	Kontrollige, kas juhtmeid on kahjustatud, katmata või kulunud. Vahetage defektne seade.

INTRODUCTION

Félicitations pour votre achat d'un produit Champion Power Equipment (CPE). CPE conçoit, construit et prend en charge tous nos produits selon des spécifications et directives strictes. Avec les connaissances adéquates du produit, une utilisation sécurisée et un entretien régulier, ce produit devrait vous apporter de nombreuses années de service satisfaisant.

Tout est mis en œuvre pour assurer l'exactitude et le caractère exhaustif des informations de ce manuel au moment de la publication. Nous nous réservons le droit de modifier, d'altérer et/ou d'améliorer le produit et ce document à tout moment, sans préavis.

CPE accorde une grande valeur à la manière dont nos produits sont conçus, fabriqués, opérés et entretenus, ainsi qu'à fournir une sécurité à l'opérateur et aux personnes se trouvant aux alentours du générateur. Par conséquent, il est **IMPORTANT** de consulter attentivement ce manuel du produit et les autres documents du produit et d'être pleinement conscient et bien connaître le montage, l'opération, les dangers et l'entretien du produit avant utilisation. Familiarisez-vous pleinement avec celui-ci et veillez à ce que les autres personnes qui ont l'intention d'utiliser le produit se familiarisent également pleinement avec les procédures correctes de sécurité et d'opération avant chaque utilisation. Merci de toujours faire preuve de bon sens et de précaution lors de l'opération du produit pour veiller à ce qu'aucun accident, dommage matériel ni blessure ne survienne. Nous souhaitons que vous puissiez utiliser et être satisfait de votre produit CPE pour les années à venir.

Si vous contactez CPE concernant des pièces de rechange et/ou un entretien, vous devrez fournir les numéros de modèle et de série complets de votre produit. Retranscrivez les informations indiquées sur l'étiquette signalétique de votre produit dans le tableau ci-dessous.

ÉQUIPE D'ASSISTANCE TECHNIQUE CPE

NUMÉRO DU MODÈLE

NUMÉRO DE SÉRIE

DATE D'ACHAT

LIEU D'ACHAT

DÉFINITIONS DE SÉCURITÉ

L'objectif des symboles de sécurité est d'attirer votre attention sur les possibles dangers. Les symboles de sécurité et leurs explications méritent votre attention complète et votre compréhension. Les avertissements de sécurité n'éliminent pas tous les dangers à eux seuls. Les instructions ou les avertissements qu'ils donnent ne se substituent pas des mesures adéquates de prévention des accidents.

DANGER

DANGER indique une situation de danger qui, si elle ne peut être évitée, résultera en le décès ou des blessures graves.

AVERTISSEMENT

AVERTISSEMENT indique une situation de danger qui, si elle ne peut être évitée, pourrait résulter en le décès ou des blessures graves.

PRÉCAUTION

PRÉCAUTION indique une situation de danger qui, si elle ne peut être évitée, pourrait résulter en des blessures mineures ou modérées.

REMARQUE

REMARQUE indique des informations considérées comme importantes, mais non liées à un danger (par ex. des messages concernant des dégâts matériels).

INSTRUCTIONS IMPORTANTES DE SÉCURITÉ

⚠️ AVERTISSEMENT

Cancer et effets nocifs sur la reproduction www.P65Warnings.ca.gov

⚠️ DANGER

Les gaz d'échappement du générateur contiennent du monoxyde de carbone, un gaz incolore, inodore et toxique. Le fait de respirer du monoxyde de carbone cause des nausées, des étourdissements, des évanouissements ou le décès. Si vous connaissez à ressentir des étourdissements ou à vous sentir faible, sortez immédiatement respirer de l'air frais.

FAITES FONCTIONNER LE GÉNÉRATEUR EN EXTÉRIEUR, UNIQUEMENT DANS UNE ZONE BIEN VENTILÉE ET FAITES S'ÉVACUER LES GAZ D'ÉCHAPPEMENT.

NE faites PAS fonctionner le générateur en intérieur dans un bâtiment, y compris dans des garages, des caves, des vides sanitaires et des hangars, des enceintes ou compartiments, y compris le compartiment du générateur d'un véhicule de loisir ou de n'importe quel véhicule.

NE laissez PAS les gaz d'échappement pénétrer dans une zone confinées par des fenêtres, des portes, des aérations ou autres ouvertures.

N'ajoutez PAS et n'installez PAS sur le générateur un silencieux/un conduit de rallonge d'évacuation ou de système de filtration. Agir de la sorte annulera toute garantie donnée.

⚠️ DANGER

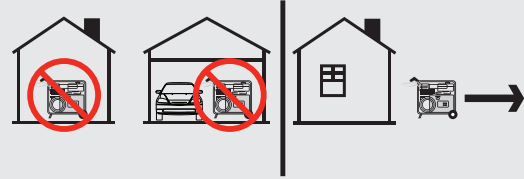
Utiliser un générateur en intérieur ou dans un espace confiné **PEUT VOUS TUER EN QUELQUES MINUTES**. Les gaz d'échappement du générateur contiennent du monoxyde de carbone. Il s'agit d'un gaz incolore, inodore et toxique.

N'UTILISEZ JAMAIS en intérieur dans des bâtiments ou des véhicules, **MÊME SI LES** portes et les fenêtres sont ouvertes.

UTILISEZ UNIQUEMENT en extérieur et loin des fenêtres, portes et aérations.

⚠️ DANGER

Utiliser un générateur en intérieur ou dans un espace confiné **PEUT VOUS TUER EN QUELQUES MINUTES**. Les gaz d'échappement du générateur contiennent du monoxyde de carbone. Il s'agit d'un gaz incolore, inodore et toxique.



Installez des détecteurs de monoxyde de carbone fonctionnant sur pile ou des détecteurs de monoxyde de carbone à brancher avec batterie de secours, selon les instructions du fabricant.

⚠️ AVERTISSEMENT

Bien que le générateur comprenne un pare-étincelles, maintenez une distance minimale de 5 pieds (1,5 m) avec la végétation sèche pour éviter les incendies.

⚠️ DANGER

Le générateur produit une puissante tension.

NE touchez PAS des câbles nus ni des récipients.

N'utilisez PAS de cordons électriques usés, endommagés ou effilochés. Utilisez uniquement des cordons électriques Champion pour une application correcte.

NE faites PAS fonctionner le générateur dans des conditions météorologiques humides.

NE laissez PAS des enfants ni des personnes non qualifiées faire fonctionner ou entretenir le générateur.

Utilisez un disjoncteur différentiel de fuite à la terre (DDFT) dans les zones humides et dans les zones comprenant des matériaux conducteurs, comme des revêtements métalliques.

Le raccordement au système électrique de votre domicile nécessite un commutateur de transfert 30 A homologué installé par un électricien agréé et approuvé par l'autorité locale compétente. La connexion doit isoler le générateur de l'électricité du réseau et doit se conformer à toutes les lois applicables et à tous les codes de l'électricité.

AVERTISSEMENT

N'utilisez pas le générateur pour des systèmes médicaux ou de survie.

En cas d'urgence, appelez immédiatement les services de secours (911 ou 112).

N'utilisez JAMAIS ce produit pour alimenter des appareils ou dispositifs de réanimation.

N'utilisez JAMAIS ce produit pour alimenter des appareils ou des dispositifs médicaux.

Informez immédiatement votre fournisseur d'électricité si vous ou une personne de votre foyer dépendez d'un équipement électrique pour survivre.

Informez immédiatement votre fournisseur d'électricité si une coupure de courant vous mettrait vous ou une personne de votre foyer dans une situation d'urgence médicale.

AVERTISSEMENT

L'étincelle du fil de bougie retiré peut résulter en un incendie ou un choc électrique.

Lors de l'entretien du générateur :

Déconnectez le fil de bougie et placez-le là où il ne peut pas entrer en contact avec la bougie ni tout autre objet en métal.

NE vérifiez PAS l'étincelle avec la bougie retirée.

Utilisez uniquement des testeurs de bougies d'allumage approuvés.

AVERTISSEMENT

Les moteurs en fonctionnement peuvent produire de la chaleur. Des graves brûlures peuvent avoir lieu lors d'un contact. Le matériau combustible peut s'enflammer lors d'un contact.

NE touchez PAS les surfaces chaudes.

Évitez un contact avec les gaz d'échappement chauds.

Laissez l'équipement refroidir avant de le toucher.

Maintenez au moins 3 pieds (91,4 cm) d'espace de tous les côtés pour assurer un refroidissement adéquat.

Maintenez au moins 5 pieds (1,5 m) d'espace par rapport aux matériaux combustibles.

AVERTISSEMENT

Une rétractation rapide du cordon de recul tirera la main et le bras vers le moteur plus rapidement qu'il vous serait possible de lâcher. Un démarrage non intentionnel peut résulter en un enchevêtrement, une amputation traumatique ou une lacération. Il pourrait en résulter des os cassés, des fractures, des contusions ou des entorses.

Lors du démarrage du moteur, tirez lentement le cordon de recul jusqu'à ce que vous sentiez une résistance puis tirez rapidement pour éviter un rebond.

NE démarrez ni n'arrêtez PAS le moteur avec des appareils électriques branchés et allumés.

PRÉCAUTION

Le fait d'excéder la capacité de fonctionnement du générateur peut endommager le générateur et/ou les appareils électriques qui y sont connectés.

NE surchargez PAS le générateur.

N'altérez PAS la vitesse régulée.

NE modifiez PAS le générateur en aucune façon.

PRÉCAUTION

Démarrez le générateur et laissez le moteur se stabiliser avant de connecter des charges électriques.

Connectez des équipements électriques en position fermée, puis allumez-les pour le fonctionnement.

Éteignez l'équipement électrique et déconnectez-le avant d'arrêter le générateur.

PRÉCAUTION

Un mauvais traitement ou une mauvaise utilisation du générateur peut l'endommager, raccourcir sa durée de vie ou annuler la garantie.

Utilisez le générateur uniquement pour ses utilisations prévues.

Utilisez uniquement sur des surfaces de niveau.

N'exposez PAS le générateur à une humidité excessive, à de la poussière ni à de la saleté.

NE laissez PAS de matériau obstruer les fentes de refroidissement.

Si les appareils connectés surchauffent, éteignez-les et déconnectez-les du générateur.

N'utilisez PAS le générateur si :

- La puissance électrique s'arrête
- L'équipement émet des étincelles, des fumées ou des flammes
- L'équipement vibre de manière excessive

MONTAGE

Votre générateur nécessite un certain assemblage. Cet appareil est expédié de l'usine sans huile. Il doit être correctement fourni en essence et en huile avant le fonctionnement.

Déballage

1. Posez le carton d'expédition sur une surface solide et plate.
2. Retirez tout du carton sauf le générateur.
3. À l'aide des poignées de transport de l'appareil, sortez doucement le générateur de la boîte (deux personnes sont recommandées pour le soulever).

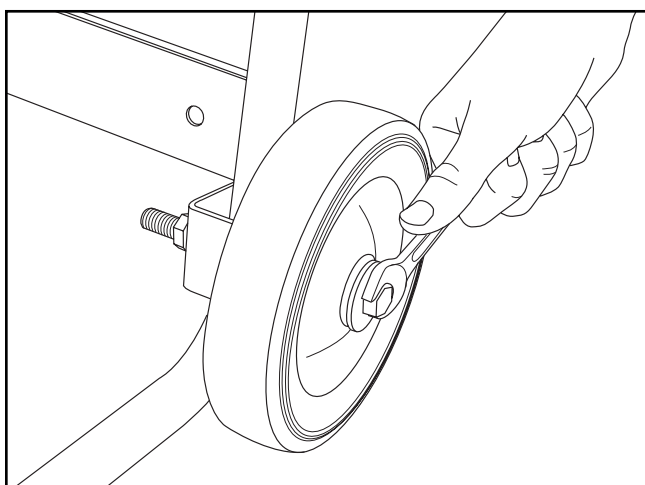
Installer le kit de roues

PRÉCAUTION

Le kit de roues n'est pas destiné à une utilisation sur route.

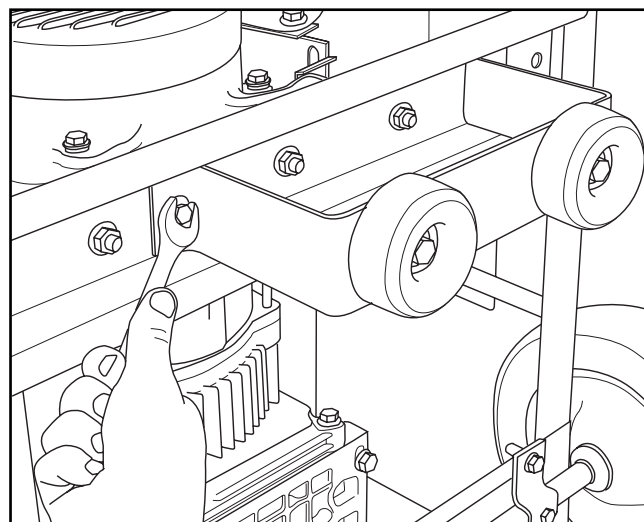
Vous aurez besoin des outils suivants pour installer les roues :

- Clé à molette (non incluse)
 - Clé à douille (non incluse)
 - Pincettes (non incluses)
1. Avant d'ajouter du carburant et de l'huile, inclinez le générateur sur le côté
 2. Faites glisser le boulon de roue à travers la rondelle plate, la douille et la roue.
 3. Faites glisser le boulon à travers le point de montage sur le cadre.
 4. Fixez solidement avec le contre-écrou.
 5. Répétez les étapes 2 à 4 pour fixer la deuxième roue.



Installez la jambe de force

Fixez le pied de support au châssis du générateur avec un boulon à bride et des contre-écrous à bride. Basculez lentement le générateur pour qu'il repose sur les roues et le pied de support.



Connectez la batterie

1. Retirez le couvercle de protection du fil rouge (+) de la batterie.
2. Fixez le fil rouge (+) à la borne rouge (+) de la batterie avec le boulon à bride et fixez avec l'écrou à bride.
3. Répétez les étapes 1 et 2 pour le câble de batterie noir (-).

Ajout d'huile moteur

⚠ PRÉCAUTION

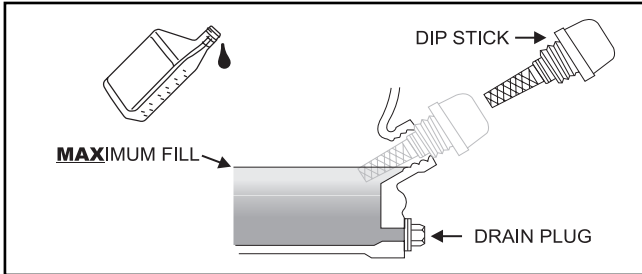
N'essayez PAS de faire tourner ni de démarrer le moteur avant qu'il ne soit correctement rempli avec le type et la quantité d'huile recommandée. En cas de non-respect de ces instructions, les dégâts résultant faits au générateur annuleront votre garantie.

💬 REMARQUE

Le type d'huile recommandé pour une utilisation typique est de **l'huile pour automobile 10W-30**.

En cas de fonctionnement du générateur dans des températures extrêmes, référez-vous au tableau suivant pour le type d'huile recommandé.

1. Placez le générateur sur une surface plate et de niveau.
2. Desserrez les vis du couvercle et retirez le couvercle d'entretien.
3. Retirez le bouchon de remplissage d'huile/la jauge pour ajouter de l'huile.
4. À l'aide d'un entonnoir, ajoutez l'huile et remplacez le bouchon de remplissage d'huile/la jauge. **NE REMPLISSEZ PAS DE MANIÈRE EXCESSIVE.**
5. Vérifiez chaque jour le niveau d'huile du moteur et ajoutez-en si nécessaire.



REMARQUE

Une fois l'huile ajoutée, une inspection visuelle devrait montrer l'huile à 1-2 marques de déborder du trou de remplissage.

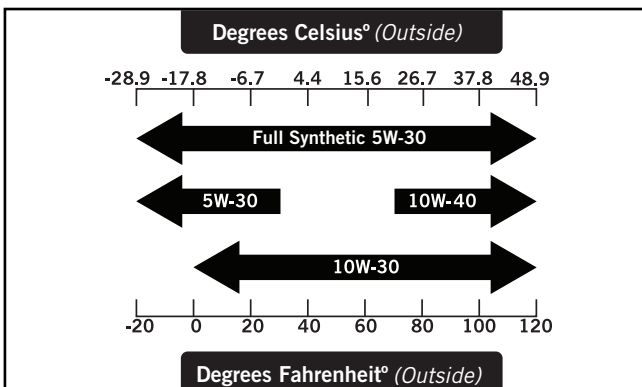
Lors de l'utilisation de la jauge pour vérifier le niveau d'huile, **NE vissez PAS** la jauge lors de la vérification.

REMARQUE

Vérifiez souvent le niveau d'huile pendant la période de rodage. Référez-vous à la section Entretien pour les intervalles d'entretien recommandés.

PRÉCAUTION

Ce moteur est équipé d'un coupe en cas de faible niveau d'huile et s'arrêtera quand le niveau d'huile du carte se situe en-dessous du niveau seuil.



REMARQUE

Les 5 premières heures de fonctionnement constituent la période de rodage de l'appareil. Pendant la période de rodage, restez à ou en-dessous de 50 % de la puissance nominale en watts et variez la charge occasionnellement pour permettre aux enroulements du stator de chauffer et de refroidir. L'ajustement de la charge fera également que la vitesse du moteur varie légèrement et aidera à asseoir les segments de piston. Changez l'huile après la période de rodage de 5 heures.

REMARQUE

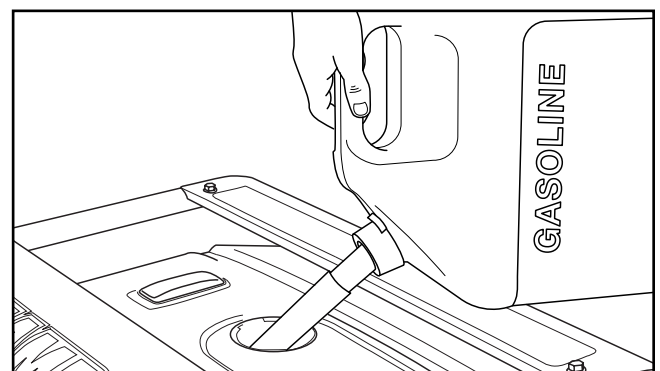
Il est possible d'utiliser de l'huile synthétique après la période initiale de rodage de 5 heures. L'utilisation d'huile synthétique n'augmente pas l'intervalle recommandé de changement d'huile. Une huile entièrement synthétique 5W-30 aidera au démarrage dans des températures ambiantes froides < 41° F (5° C).

Ajout de carburant

Utilisez de l'essence sans plomb propre, fraîche et régulière avec un indice d'octane minimum de 85 et une teneur en éthanol de 10 % ou moins en volume.

NE mélangez **PAS** l'huile avec l'essence.

1. Retirez le bouchon d'essence.
2. Ajoutez lentement l'essence dans le réservoir. **NE REMPLISSEZ PAS DE MANIÈRE EXCESSIVE.** Il est possible que l'essence se dilate après le remplissage. Un minimum de ¼ in. (6,4 mm) d'espace restant dans le réservoir est requis pour la dilatation de l'essence, bien que plus de ¼ in. (6,4 mm) soit recommandé. L'essence peut sortir de force du réservoir en cas de dilatation en cas de remplissage excessif. Cela peut affecter la condition de fonctionnement stable du générateur.



3. Vissez le bouchon d'essence jusqu'à ce que vous entendiez un « clic ». Essayez tout déversement d'essence.

PRÉCAUTION

Utilisez de l'essence sans plomb avec un indice d'octane minimum de 85 et une teneur en éthanol de 10 % ou moins en volume.

N'allumez et ne fumez PAS de cigarettes lors du remplissage du réservoir.

NE mélangez PAS l'huile et l'essence.

NE remplissez PAS le réservoir de manière excessive.

Remplissez le réservoir à environ ¼ in.

(6,4 mm) en-dessous de la partie supérieure du réservoir pour permettre la dilatation de l'essence.

N'insérez PAS directement la pompe à essence dans le générateur à la station-service. Utilisez un contenant approuvé pour transférer l'essence au générateur.

NE remplissez PAS le réservoir en intérieur.

NE remplissez PAS le réservoir quand le moteur tourne ou est chaud.

AVERTISSEMENT

Le fait de verser l'essence trop rapidement dans le filtre à carburant peut résulter en des éclaboussures d'essence autour du générateur et de l'opérateur lors du remplissage.

REMARQUE

Le moteur du générateur fonctionne bien avec de l'essence mélangée à 10 % ou moins d'éthanol. Lors de l'utilisation de mélanges éthanol-essence, il est important de noter certains problèmes :

- Les mélanges éthanol-essence peuvent absorber plus d'eau que l'essence seule.
- Ces mélanges peuvent éventuellement se séparer, laissant de l'eau ou une substance aqueuse dans le réservoir, la vanne de carburant et le carburateur. L'essence non utilisable peut être introduite dans le carburateur et causer des dommages au moteur et/ou créer des dangers potentiels.
- Si un stabilisateur de carburant est utilisé, confirmez que celui-ci est formulé pour être utilisé avec des mélanges éthanol-essence.
- Tout dégât ou danger causé par une utilisation d'essence inadaptée, d'essence stockée de manière inadaptée et/ou de stabilisateurs formulés de manière inadaptée, ne sont pas couverts par la garantie du fabricant.

Il est conseillé de toujours couper l'alimentation en essence et de faire fonctionner le moteur jusqu'à l'épuisement du carburant après chaque utilisation. Voir les Instructions de stockage en cas d'inutilisation prolongée.

Mise à la terre

Votre générateur doit être correctement raccordé à une mise à la terre appropriée pour prévenir les chocs électriques.

AVERTISSEMENT

Une mauvaise mise à la terre du générateur peut résulter en un choc électrique.

Il a été fourni une borne de masse reliée au châssis (voir Commandes et fonctionnalités pour l'emplacement de la borne). Pour une mise à la terre à distance, connectez une longueur de fil de cuivre de gros calibre (12 AWG minimum) entre la borne de masse du générateur et une tige de cuivre enfoncée dans le sol. Nous vous recommandons fortement de consulter un électricien qualifié pour assurer un respect des codes d'électricité locaux.

FONCTIONNEMENT

Emplacement du générateur

Ne faites JAMAIS fonctionner le générateur en intérieur dans un bâtiment, y compris dans des garages, des caves, des vides sanitaires et des hangars, des enceintes ou compartiments, y compris le compartiment du générateur d'un véhicule de loisir ou de n'importe quel véhicule. Veuillez consulter votre autorité locale. Dans certaines zones, les générateurs doivent être enregistrés auprès du service public local. Les générateurs utilisés sur des sites de construction peuvent être sujets à des règles et réglementations supplémentaires. Les générateurs doivent à tout moment être sur une surface plate et de niveau. (Même lorsqu'ils ne fonctionnent pas) Les générateurs doivent disposer d'au moins 5 pieds (1,5 m) d'espace par rapport à tous les matériaux combustibles. En plus de l'espace par rapport à tous les matériaux combustibles, les générateurs doivent également disposer d'au moins 3 pieds (91,4 cm) d'espace de tous les côtés pour assurer un refroidissement adéquat, la maintenance et l'entretien. Les générateurs ne doivent jamais être démarrés ni utilisés à l'arrière d'un SUV, dans un camping-car, dans une remorque, dans le lit d'un camion (ordinaire, plat ou autre), sous des escaliers/cages d'escalier, près de murs ou de bâtiments, ou tout autre emplacement qui ne permettrait pas un refroidissement adéquat du générateur et/ou du silencieux. NE contenez PAS les générateurs pendant le fonctionnement. Laissez les générateurs refroidir correctement avant le transport ou le stockage.

Placez le générateur dans une zone bien ventilée. NE placez PAS le générateur près d'aérations ni d'admissions où des vapeurs d'échappement pourraient être aspirées dans des espaces occupés ou confinés. Pensez soigneusement au vent et aux courants d'air avant de positionner le générateur.

Le non-respect des précautions de sécurité peut annuler la garantie du fabricant.

AVERTISSEMENT

Ne faites pas fonctionner et ne stockez pas le générateur sous la pluie, la neige ou dans des conditions météorologiques humides.

Le fait d'utiliser un générateur ou un appareil électrique dans des conditions météorologiques humides, comme de la pluie ou de la neige, ou près d'une piscine ou d'un système d'arrosage, ou quand vos mains sont mouillées, peut résulter en une électrocution.

AVERTISSEMENT

Lors du fonctionnement, le silencieux et les vapeurs d'échappement deviennent chauds. Si un espace adéquat de refroidissement et de respiration n'est pas fourni, ou si le générateur est bloqué ou clos, les températures peuvent devenir extrêmement élevées et peuvent mener à un incendie.

Mise à la terre

La masse du système de générateur relie le châssis aux bornes de masse du panneau d'alimentation. La masse du système est connectée au fil neutre CA.

Protection contre les surtensions

Les appareils électroniques, y compris les ordinateurs et de nombreux appareils programmables, utilisent des composants conçus pour fonctionner à une plage de tension étroite et peuvent être affectés par des fluctuations temporaires de tension. Bien qu'il n'existe pas de moyen d'éviter les fluctuations de tension, vous pouvez prendre des mesures pour protéger les équipements électroniques sensibles.

- Installez des supprimeurs de surtension enfichables homologués UL1449 et CSA sur les prises qui alimentent vos équipements sensibles. Les supprimeurs de surtension sont disponibles dans des modèles à une prise et à multiprises. Ils sont conçus pour protéger contre presque toutes les fluctuations de tension de courte durée.

Démarrer le moteur

1. Veillez à ce que le générateur soit placé sur une surface plate et de niveau.
2. Déconnectez toutes les charges électriques du générateur. Ne démarrez ni n'arrêtez jamais le générateur avec des appareils électriques branchés ou allumés.
3. Tournez le levier d'aération du bouchon de carburant sur la position « OUVERT ».
4. Tournez le sélecteur de carburant dans le sens horaire sur la position « ouvert » complète.
5. Tirez le bouton du starter hors de la position « STARTER ».
6. Tirez lentement le cordon de recul jusqu'à ce que vous sentiez une résistance puis tirez rapidement.
7. Tandis que le moteur chauffe, poussez le bouton du starter dans la position « FONCTIONNEMENT ».

REMARQUE

Gardez le levier du starter dans la position « STARTER » pendant seulement 1 tir sur le cordon de recul. Après le premier tir, appuyez sur le bouton du starter pour le mettre en position « FONCTIONNEMENT » pendant les 3 prochains tirs du cordon de recul. Trop de starter conduit à l'encrassement des bougies et à l'inondation du moteur en raison d'un manque d'air entrant. Ceci fera que le moteur ne démarrera pas.

REMARQUE

When the battery switch is in the "ON" position, the switch will light up if the battery is sending out a charge. If the switch does not light up while in the "ON" position, check that the battery connection is still good.

REMARQUE

The supplied 12V 15AH battery does re-charge while the engine is running, but it is also recommended that the battery be fully charged at least once per month.

REMARQUE

Si le moteur démarre mais que le fonctionnement s'interrompt, vérifiez que le générateur est sur une surface plate et de niveau. Le moteur est équipé d'un capteur de faible niveau d'huile qui évitera que le moteur ne fonctionne quand le niveau d'huile se situe sous le seuil critique.

Connecter des charges électriques

Laissez le moteur se stabiliser et chauffer pendant quelques minutes après le démarrage.

Branchez et allumez les charges électriques souhaitées de 220/240 (si applicable) V CA monophasées, 50 Hz.

- NE connectez PAS des charges triphasées au générateur.
- NE surchargez PAS le générateur.

AVERTISSEMENT

Il peut être interdit par la loi de connecter un générateur aux lignes électriques de votre compagnie d'électricité ou à une autre source d'alimentation. De plus, cette action, si effectuée d'une mauvaise manière, pourrait endommager votre générateur et les appareils et causer de graves blessures voire même le décès, à vous ou à un employé de service public qui pourrait travailler sur des lignes de courant à proximité. Si vous planifiez d'utiliser un générateur électrique portable pendant une coupure de courant, veuillez en informer immédiatement votre compagnie d'électricité et n'oubliez pas de branchez directement vos appareils sur le générateur. Ne branchez pas le générateur dans une prise électrique de votre domicile. Vous créeriez une connexion aux lignes de courant de la compagnie d'électricité. Il relève de votre responsabilité de veiller à ce que l'électricité de votre générateur ne soient pas renvoyées dans les lignes de courant de la compagnie d'électricité.

Si le générateur sera connecté à un système électrique de bâtiment, consultez votre compagnie d'électricité locale ou un électricien qualifié. Les connexions doivent isoler l'électricité du générateur de l'électricité du réseau et doivent se conformer à toutes les lois et à tous les codes applicables.

Arrêter le moteur

1. Éteignez et débranchez toutes les charges électriques. Ne démarrez ni n'arrêtez jamais le générateur avec des appareils électriques branchés ou allumés.
2. Laissez le générateur tourner sans charge pendant plusieurs minutes pour stabiliser les températures internes du moteur et du générateur.
3. Tournez le sélecteur de carburant dans le sens antihoraire sur la position ARRÊT.

Important : Veillez toujours à ce que le sélecteur de carburant et le levier d'aération du carburant soient dans la position « FERMÉ » lorsque le générateur n'est pas utilisé.

REMARQUE

Si le générateur ne sera pas utilisé pendant une période de deux (2) semaines ou plus, retirez toujours le carburant. Voir la section Stockage pour le stockage approprié du moteur et du carburant.

Ne surchargez pas le générateur

Capacité

Suivez ces étapes simples pour calculer les watts de fonctionnement et de démarrage nécessaires à vos objectifs :

1. Sélectionnez les appareils électriques que vous planifiez d'utiliser en même temps.
2. Faites le total des watts de fonctionnement de ces appareils. Voici la quantité de puissance dont vous avez besoin pour que vos appareils fonctionnent.
3. Identifiez les watts de démarrage les plus élevés de tous les appareils identifiés à l'étape 1. Ajoutez ce nombre au nombre calculé à l'étape 2. Les watts de démarrage sont la pointe de puissance nécessaire au démarrage de certains équipements électriques. Suivez les étapes répertoriées sous « Gestion de la puissance » pour garantir que seul un appareil sera démarré à la fois.

Gestion de la puissance

Utilisez la formule suivante pour convertir la tension et les ampères en watts :

$$\text{Volts} \times \text{Ampères} = \text{Watts}$$

Afin de prolonger la durée de vie de votre générateur et des appareils branchés, suivez ces étapes pour ajouter une charge électrique :

1. Démarrez le générateur sans charge électrique branchée.
2. Laissez le moteur fonctionner pendant quelques minutes pour qu'il arrive à température.
3. Branchez et allumez le premier appareil. Il est préférable de brancher en premier l'appareil ayant la plus importante charge.
4. Laissez le moteur se stabiliser.
5. Branchez et allumez l'appareil suivant.
6. Laissez le moteur se stabiliser.
7. Répétez les étapes 5-6 pour chaque appareil supplémentaire.

REMARQUE

N'excédez jamais la capacité spécifiée lors de l'ajout de charges au générateur.

de l'augmentation de l'enrichissement du rapport air-carburant. La haute altitude peut inclure d'autres problèmes, notamment un démarrage difficile, une augmentation de la consommation de carburant et l'encrassement des bougies.

REMARQUE

Un message important concernant la température : votre produit est conçu et évalué pour un fonctionnement continu à des températures ambiantes allant jusqu'à 104°F (40°C). Si besoin, il peut être utilisé à des températures allant de 5°F (-15°C) à 122°F (50°C) pour de courtes périodes de temps. En cas d'exposition à des températures en dehors de cette plage pendant le stockage, l'appareil doit être ramené dans cette plage avant le fonctionnement. Le produit doit toujours être utilisé en extérieur, dans une zone bien ventilée et loin des portes, des fenêtres et des aérations.

Fonctionnement à haute altitude

La densité de l'air à haute altitude est plus faible qu'au niveau de la mer. La puissance du moteur est réduite car la masse d'air et le rapport air-carburant diminuent. La puissance du moteur et la sortie du générateur seront réduites d'environ 3½ % pour chaque 1000 pieds d'altitude au-dessus du niveau de la mer. À haute altitude, il peut également en résulter une augmentation des émissions des gaz d'échappement en raison

ENTRETIEN

Assurez-vous que le générateur reste propre et soit correctement stocké. Ne faites fonctionner l'appareil que sur une surface plate et de niveau dans un environnement opérationnel propre et sec. N'exposez PAS l'appareil à des conditions extrêmes, à une poussière excessive, à de la saleté, à de la moisissure ou à des vapeurs corrosives.

⚠ AVERTISSEMENT

Ne faites jamais fonctionner un générateur endommagé ou défectueux.

⚠ AVERTISSEMENT

Un mauvais entretien annulera votre garantie.

💬 REMARQUE

Pour les Dispositifs et systèmes de contrôle des émissions, lisez et comprenez vos responsabilités concernant l'entretien comme indiqué dans la Déclaration de garantie du contrôle des émissions de ce manuel.

Le propriétaire/opérateur est responsable de tout l'entretien périodique.

Réalisez tout l'entretien planifié dans les délais.

Corrigez tout problème avant de faire fonctionner le générateur.

Pour un entretien ou pour une assistance concernant les pièces, contactez notre Technical Support Team au +44 (0)1942 715 407.

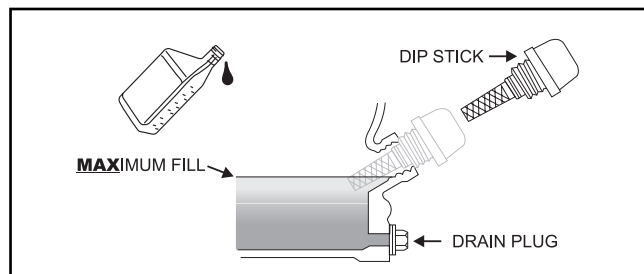
Changer l'huile moteur

Changez l'huile quand le moteur est chaud. Référez-vous aux spécifications de l'huile pour sélectionner le type approprié à votre environnement opérationnel.

1. Placez le générateur sur le dessus d'un plan ou d'une table de travail.
2. Retirez le bouchon de remplissage d'huile/la jauge.
3. Inclinez le générateur sur le côté et laissez l'huile se vider complètement.
4. Ajoutez de l'huile conformément à *Ajout d'huile moteur* à la section *Montage*.
NE REMPLISSEZ PAS DE MANIÈRE EXCESSIVE. L'huile d'entretien de routine n'est pas incluse.
5. Réinstallez le couvercle d'entretien.
6. Éliminez l'huile usagée dans une installation de gestion des déchets agréée.

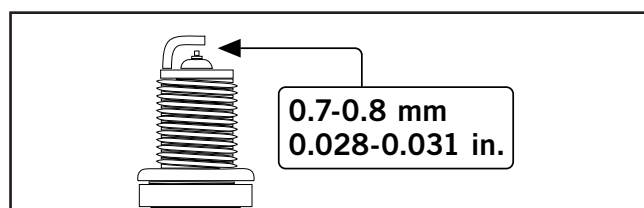
💬 REMARQUE

Une fois l'huile ajoutée, une inspection visuelle devrait montrer l'huile à 1-2 marques de débordement du trou de remplissage. Lors de l'utilisation de la jauge pour vérifier le niveau d'huile, NE vissez PAS la jauge lors de la vérification.



Nettoyage et ajustement de la bougie d'allumage

1. Retirez le câble de bougie d'allumage de la bougie d'allumage.
2. Inspectez l'électrode présente sur la bougie. Celle-ci doit être propre et non usée afin de produire l'étincelle requise pour l'allumage.
3. Veillez à ce que l'écart de bougie d'allumage soit 0.028 - 0.031 in. (0.7 - 0.8 mm).
4. Référez-vous aux types de bougie d'allumage dans Spécifications lors du remplacement de la bougie.
5. Réinstallez fermement la bougie.
6. Fixez le câble de bougie d'allumage à la bougie d'allumage.
7. Réinstallez le bouchon d'accès à la bougie d'allumage et le couvercle d'entretien.



Bougie d'origine : F6RTC

Bougie de rechange : NGK BPR6ES ou équivalent

Assurez-vous que *l'écartement de la bougie est de 0,7 à 0,8 mm ou (0,028 à 0,031 po).

Jeu des soupapes d'entretien

- Admission : 0,13 - 0,17 mm (0,005 - 0,007 pouces)
- Échappement : 0,18 - 0,22 mm (0,007 - 0,009 po)

Remarque : Le bulletin technique concernant la procédure de réglage des soupapes se trouve sur www.championpowerequipment.co.uk.

Nettoyage du filtre à air

1. Retirez le couvercle d'entretien.
2. Retirez l'élément en mousse.
3. Nettoyez-le dans du détergent liquide et de l'eau. Pressez soigneusement jusqu'à ce qu'il soit sec dans un chiffon propre.
4. Saturer d'huile moteur propre.
5. Pressez dans un chiffon propre et absorbant pour retirer l'excès d'huile.
6. Placez le filtre dans l'assemblage.
7. Réassemblez le couvercle du filtre à air.

Nettoyage du pare-étincelles

1. Laissez le moteur refroidir complètement avant d'effectuer l'entretien du pare-étincelles.
2. Retirez les vis qui maintiennent la plaque de couvercle sur le côté du silencieux du générateur.
3. Retirez l'écran du pare-étincelles.
4. Retirez soigneusement les dépôts de carbone de l'écran du pare-étincelles à l'aide d'une brosse métallique.
5. Remplacez le pare-étincelles si celui-ci est endommagé.
6. Positionnez le pare-étincelles sur le silencieux et fixez-le en inversant les étapes ci-dessus.

PRÉCAUTION

Ne pas nettoyer le pare-étincelles résultera en une dégradation de la performance du moteur.

REMARQUE

Les lois fédérales et locales et les exigences administratives indiquent quand et où des pare-étincelles sont requis. Lorsque commandés, des pare-étincelles sont requis pour le fonctionnement de ce générateur dans les forêts nationales.

PRÉCAUTION

NE PAS vaporiser d'eau sur le moteur. L'eau peut contaminer le système de carburant.

Utilisez un chiffon humide pour nettoyer les surfaces extérieures du moteur.

Utilisez une brosse à poils doux pour enlever la saleté et l'huile.

Utilisez un compresseur d'air (25 PSI) pour nettoyer la saleté et les débris du moteur.

Ajuster le régulateur

AVERTISSEMENT

Le fait d'altérer le régulateur réglé en usine annulera votre garantie.


Le mélange air-carburant n'est pas ajustable. Altérer le régulateur peut endommager votre générateur et vos appareils électriques, et annulera votre garantie.

Calendrier d'entretien

Suivez les intervalles d'entretien indiqués dans le calendrier d'entretien suivant.

Effectuez plus fréquemment un entretien sur votre générateur en cas de fonctionnement dans des conditions difficiles.



CHAQUE 8 HEURES OU AVANT CHAQUE UTILISATION

-  Vérifiez le niveau d'huile
-  Nettoyez autour de l'admission d'air et du silencieux





LES 5 PREMIÈRES HEURES (RODAGE)

-  Changez l'huile



CHAQUE 50 HEURES OU ANNUELLEMENT

-  Nettoyez le filtre à air
-  Changez l'huile en cas de fonctionnement sous une charge lourde ou dans des environnements chauds


CHAQUE 100 HEURES OU ANNUELLEMENT

-  Changez l'huile
-  Nettoyez/ajustez la bougie d'allumage
-  Nettoyez le pare-étincelles
-  Nettoyez le filtre de la vanne de carburant*

CHAQUE 250 HEURES

-  Nettoyez la chambre de combustion*
-  Vérifiez/ajustez le jeu de soupape*

CHAQUE 3 ANS

-  Remplacez la conduite de carburant*

*Doit être effectué par des propriétaires compétents et expérimentés ou dans des centres d'entretien agréés par CPE.

STOCKAGE

Le générateur doit être démarré au moins une fois tous les 14 jours et doit fonctionner pendant au moins 20 minutes. Pour un stockage à plus long terme, veuillez suivre ces directives.

Stockage du générateur

1. Ajouter un stabilisateur de carburant correctement formulé dans le réservoir.
2. Assurez-vous que tous les appareils sont débranchés du générateur.
3. Faites fonctionner le générateur pendant quelques minutes afin que le carburant traité circule dans le système de carburant et le carburateur.
4. Tourner le robinet de carburant à la position "Off".
5. Laissez le générateur fonctionner jusqu'à ce que la panne de carburant ait arrêté le moteur. Cela prend généralement quelques minutes.
6. Le générateur doit refroidir complètement avant de le nettoyer et de le ranger.
7. Nettoyez le générateur conformément à la section d'entretien.
8. Changer l'huile.
9. Retirez la bougie et versez environ 14,8 ml (1/2 once) d'huile dans le cylindre. Lancez le moteur lentement pour répartir l'huile et lubrifier le cylindre.
10. Remettez la bougie d'allumage..
11. Rangez l'appareil dans un endroit propre et sec, à l'abri de la lumière directe du soleil.

Stockage à court terme (jusqu'à 30 jours)

L'essence dans le réservoir d'essence a une durée de conservation maximum de 1 an avec l'ajout de stabilisants de carburant correctement formulés et si stockée dans un endroit frais et sec. L'essence dans le carburateur, cependant, peut encrasser le carburateur si elle n'est pas utilisée ni vidée dans les 2-4 semaines. Nous vous recommandons de toujours retirer le carburant lorsque le générateur n'est pas utilisé pendant 30 jours.

Si vous utilisez le générateur dans les 2 semaines, suivez les étapes selon la section *Arrêter le moteur*.

1. Si vous n'utilisez pas le générateur pendant 2-4 semaines, commencez par vous assurer que tous les appareils sont déconnectés du générateur.
2. Démarrez le générateur comme indiqué à la section *Démarrer le moteur*.
3. Laissez le moteur tourner jusqu'à ce qu'il s'arrête en raison d'un épuisement du carburant.
4. Un fois le moteur éteint, tournez le sélecteur dans le sens antihoraire sur la position « ARRÊT ».

Stockage à moyen terme (30 jours - 1 an)

L'essence dans le réservoir a une durée de conservation maximum de 1 an avec l'ajout d'un stabilisant de carburant correctement formulé et stockée dans un endroit frais et sec.

1. Assurez-vous que tous les appareils sont déconnectés du générateur.
2. Ajoutez un stabilisant de carburant correctement formulé au réservoir d'essence.
3. Démarrez le moteur en suivant les instructions de la section *Démarrer le moteur*.
4. Faites fonctionner le générateur pendant 10 minutes afin que l'essence traitée effectue des cycles dans le système de carburant et le carburateur.
5. Laissez le moteur tourner jusqu'à ce qu'il s'arrête en raison d'un épuisement du carburant.
6. Un fois le moteur éteint, tournez le sélecteur dans le sens antihoraire sur la position « ARRÊT ».
7. Une fois que le carburant est épuisé et que le moteur s'est arrêté, laissez le moteur refroidir.
8. Retirez le couvercle d'entretien.
9. Retirez la bougie d'allumage et versez environ une cuillère à soupe d'huile dans le cylindre.
10. Tirez LENTEMENT le cordon pour faire tourner le moteur afin de distribuer et de lubrifier le cylindre.
11. Réinstallez la bougie d'allumage et le fil de la bougie d'allumage.
12. Réinstallez le couvercle d'entretien.
13. Nettoyez le générateur selon *Nettoyage du générateur*.
14. Stockez le générateur dans un endroit frais et sec à l'abri de la lumière directe du soleil.

Stockage à long terme (plus de 1 an)

Pour un stockage supérieur à 1 an, le réservoir d'essence et le carburateur doivent être complètement vidés de l'essence.

1. Assurez-vous que tous les appareils sont déconnectés du générateur.
2. Placez l'onduleur sur des blocs pour permettre au contenant d'essence ou au bac approprié de glisser sous l'onduleur.
3. Retirez le couvercle d'entretien.
4. Tournez le sélecteur sur la position « FONCTIONNEMENT » de l'essence.
5. À l'aide d'un tournevis Phillips, faites pivoter la vis de vidange dans le sens antihoraire (3) jusqu'à un tour complet. L'essence vidangera par le tube transparent sous l'onduleur. Veillez à ce que l'essence vidangée se vide dans un contenant approprié.

DANGER

Les gaz d'échappement du générateur contiennent du gaz de monoxyde de carbone, qui est inodore et incolore.

Pour éviter un allumage accidentel ou non intentionnel de votre générateur pendant les périodes de stockage, les précautions suivantes doivent être prises :

- Lors du stockage du générateur, veillez à ce que le sélecteur de carburant soit placé sur la position « ARRÊT ».

Batterie du générateur

Ce produit est équipé d'un circuit de charge automatique de la batterie. La batterie recevra une tension de charge lorsque le moteur tourne. La batterie maintiendra une charge appropriée si l'appareil est utilisé régulièrement (environ une fois toutes les deux semaines). Si elle est utilisée moins fréquemment, la batterie doit être connectée à un chargeur d'entretien (non inclus) ou à un mainteneur de batterie (non inclus) pour maintenir la batterie correctement chargée. Si la batterie n'est pas en mesure de démarrer le moteur, il peut être démarré en tirant manuellement sur le cordon de rappel du moteur. Si la tension de la batterie est extrêmement basse, le circuit de charge peut ne pas être en mesure de recharger la batterie. Dans ce cas, la batterie doit être connectée à un chargeur de batterie de style automobile standard pour être rechargée avant de pouvoir être utilisée

Charger la batterie

Pour un générateur équipé de batteries pour le démarrage électrique, un entretien et un stockage appropriés des batteries doivent être suivis. Un chargeur de batterie automatique (non inclus) avec capacité de charge d'entretien automatique doit être utilisé pour charger la batterie. Le taux de charge maximal ne doit pas dépasser 1,5 ampères. Suivez les instructions fournies avec le chargeur de batterie. La batterie doit être complètement chargée au moins une fois par mois

REMARQUE

Un chargeur flottant maintiendra l'état de la batterie pendant de longues périodes de stockage.

Débranchez la batterie

1. Retirez le couvercle de protection du câble noir/négatif de la batterie.
2. Débranchez le fil noir/négatif de la borne noire/négative de la batterie et rangez la vis à capuchon (M5x10) et l'écrou

(M5).

3. Répétez les étapes 1 et 2 pour le fil rouge/positif de la batterie.
4. Stockez la batterie dans un endroit frais et sec.

DÉPANNAGE

Problème	Cause	Solution
Le moteur ne démarre pas.	Pas de carburant.	Ajoutez du carburant.
	Bougie d'allumage défectueuse.	Nettoyez et ajustez la bougie d'allumage ou remplacez-la.
	Niveau d'huile faible.	Remplissez le carter jusqu'au niveau approprié.
		Placez le générateur sur une surface plate et de niveau.
	Fil de la bougie d'allumage desserré.	Fixez le fil à la bougie d'allumage.
	La vanne de carburant est fermée.	Ouvrez la vanne de carburant.
	Ancien carburant ou eau dans le carburant.	Videz le carburant et remplacez-le par du carburant frais.
Inondé par du carburant.	Laissez l'appareil reposer pendant 10 mn.	
Le moteur démarre mais tourne difficilement.	Starter dans la mauvaise position.	Déplacez le starter jusqu'à ce qu'il s'arrête dans la position FONCTIONNEMENT ou poussez-le complètement.
	Filtre à air sale.	Nettoyez ou remplacez le filtre à air.
	Vanne de carburant sale.	Nettoyez la vanne de carburant.
	Pare-étincelles obstrué.	Nettoyez le pare-étincelles.
Le moteur se coupe pendant le fonctionnement.	Plus de carburant.	Remplissez le réservoir de carburant.
	Niveau d'huile faible.	Remplissez le carter jusqu'au niveau approprié. Placez le générateur sur une surface plate et de niveau.
	Pare-étincelles obstrué.	Nettoyez le pare-étincelles.
Le générateur ne fournit pas assez de puissance ou surchauffe.	Le générateur est en surcharge.	Vérifiez la charge et ajustez-la. Voir « Connecter des charges électriques ».
	Filtre à air sale.	Nettoyez ou remplacez le filtre à air.
	Starter dans la mauvaise position.	Déplacez le starter jusqu'à ce qu'il s'arrête dans la position FONCTIONNEMENT ou poussez-le complètement.
Le moteur fonctionne mais pas de sortie CA.	Mauvaise connexion du cordon.	Vérifiez toutes les connexions.
	Le disjoncteur est ouvert.	Réinitialisez le disjoncteur.
	Câblage desserré.	Inspectez et resserrez les connexions de câblage.
	Surcharge CA : bouton allumé en rouge	Réduisez la charge CA et appuyez sur le Bouton de réinitialisation de surcharge jusqu'à ce qu'il s'allume en vert.
	Autre.	Contactez la ligne d'assistance.
Le générateur ne démarre pas électriquement.	la batterie du générateur est vide.	recharger la batterie du générateur
	L'interrupteur de la batterie est en position «OFF»	tournez l'interrupteur de la batterie en position «ON»
Déclenchement répété du disjoncteur.	Surcharge.	Vérifiez la charge et ajustez-la. Voir « Connecter des charges électriques ».
	Cordons d'alimentation ou appareil défectueux.	Vérifiez que les fils ne sont pas endommagés, dénudés ou effilochés. Remplacez l'appareil défectueux.
	Le disjoncteur est encore trop chaud.	Laissez l'appareil reposer pendant 5 mn.

Pour d'autres problèmes et l'assistance technique.

GARANTIE*

CHAMPION POWER EQUIPMENT
GARANTIE LIMITÉE DE 3 ANS

Qualifications de la garantie

Pour enregistrer votre produit pour la garantie et une assistance technique du centre d'appels à vie GRATUITE, veuillez consulter :

<https://www.championpowerequipment.co.uk>

Pour compléter l'enregistrement, vous devrez inclure une copie du reçu d'achat comme preuve de l'achat original. La preuve d'achat est requise pour le service de garantie. Veuillez vous enregistrer dans les dix (10) jours suivants la date d'achat.

Garantie réparation/remplacement

CPE garantit à l'acheteur original que les composants mécaniques et électriques seront exempts de défauts de matériau et de fabrication pendant une durée de trois (3) ans pour un usage domestique ou 1 000 heures, selon ce qui survient en premier, et un (1) an d'utilisation commerciale et industrielle ou 1 000 heures, selon ce qui survient en premier. Les frais de transport du produit soumis pour une réparation ou un remplacement dans le cadre de la présente garantie sont à entièrement à la charge de l'acheteur. La présente garantie ne s'applique qu'uniquement à l'acheteur original et n'est pas transférable. Pour les Conditions générales complètes, consultez www.championpowerequipment.co.uk.

Ne retournez pas l'appareil au point d'achat

Contactez le Service technique de CPE et CPE dépannera votre problème par téléphone ou par e-mail. Si le problème n'est pas corrigé par cette méthode, CPE pourra, à sa discrétion, autoriser une évaluation, une réparation ou un remplacement de la pièce défectueuse ou du composant défectueux dans un Centre après-vente CPE. CPE vous fournira un numéro de cas pour le service de garantie. Veuillez le conserver pour toute référence future. Les réparations ou les remplacements sans autorisation préalable, ou dans un établissement de réparations non agréé, ne seront pas couverts par la présente garantie.

Exclusions de la garantie

La présente garantie ne couvre pas les réparations ni l'équipement suivants :

Usure normale

Les produits dont les composants mécaniques et électriques ont besoin de pièces et de services périodiques pour fonctionner correctement. La présente garantie ne couvre pas la réparation quand l'usure normale a abîmé une pièce ou l'équipement dans son ensemble.

Installation, utilisation et entretien

La présente garantie ne s'applique pas aux pièces et/ou à la main-d'œuvre si le produit est réputé avoir été mal utilisé,

négligé, impliqué dans un accident, maltraité, chargé au-delà des limites du produit, modifié, installé d'une mauvaise manière ou connecté d'une mauvaise manière à un composant électrique. Un entretien normal n'est pas couvert par la présente garantie et ne doit pas obligatoirement avoir lieu dans un établissement ni par une personne agréé(e) par CPE.

Autres exclusions

La présente garantie exclut ce qui suit :

- Défaut esthétique comme la peinture, les autocollants, etc.
- Les éléments soumis à usure comme les éléments de filtre, les joints toriques, etc.
- Les pièces accessoires comme les batteries de démarrage, les segments de piston et les couvercles de stockage.
- Les défauts dus à des catastrophes naturelles et autres cas de force majeure échappant au contrôle du fabricant.
- Les problèmes causés par des pièces qui ne sont pas des pièces d'origine de Champion Power Equipment.

Toute pièce réputée être endommagée par l'utilisateur.

Lorsqu'applicable, la présente garantie ne s'applique pas aux produits utilisés pour l'alimentation principale à la place d'un service public.

Limites de la garantie implicite et des dommages indirects

Champion Power Equipment décline toute obligation de couvrir toute perte de temps, d'utilisation de ce produit, de fret, ou toute réclamation accessoire ou consécutive par quiconque de l'utilisation de ce produit. LA PRÉSENTE GARANTIE ET LES GARANTIES ANNEXES SUR LES SYSTÈMES DE CONTRÔLE DES ÉMISSIONS DE L'EPA BRITANNIQUE ET/OU DE LA CARB (LE CAS ÉCHÉANT) REMPLISSENT TOUTES LES AUTRES GARANTIES, EXPRESSES OU IMPLICITES, Y COMPRIS LES GARANTIES DE QUALITÉ MARCHANDE OU D'ADAPTATION À UN USAGE PARTICULIER.

Un appareil fournit en échange sera soumis à la garantie de l'appareil d'origine. La durée de la garantie régissant l'appareil échangé sera calculée en faisant référence à la date d'achat de l'appareil d'origine.

La présente garantie vous donne certains droits légaux qui peuvent changer selon l'État ou la Province. Votre État ou Province peut également avoir d'autres droits auxquels vous pourriez prétendre qui ne sont pas répertoriés dans la présente garantie.

SPECIFICATIONS

SPECIFICATIONS	CPG3500 (EU/SC)	CPG4000 E1 (EU/SC)
Gasoline Starting Watts	2800W	3750W
Gasoline Running Watts	2500W	3000W
Gasoline Starting Amps at 220V	12.73A	17.05A
Gasoline Running Amps at 220V	11.36A	13.64A
Volts	220	220
Frequency	50Hz	50Hz
Outlets	220V 16A Euro 2Pin	220V 16A Euro 2Pin
GFCI Outlets	No	No
Covered Outlets	Yes	Yes
Gasoline Run Time at 1/2 Load	10.0 h.	10.0 h.
Noise Level	65.0 dBA	68.0 dBA
Inverter	No	No
Parallel Capability	No	No
DC Operation	Yes	Yes
Voltmeter	Yes	Intelligauge
Automatic Voltage Regulation	Yes	Yes
Battery	No	Yes
Start Type	Recoil	Recoil/Electric Start
Engine Brand	Champion	Champion
Engine Size	196cc	224cc
Engine Type	4-stroke	4-stroke
Engine Speed	3000	3000
Fuel Type	Gasoline	Gasoline
Fuel Gauge	Yes	Yes
Gasoline Capacity	15L	15L
Gasoline Tank Material	Steel	Steel
Engine Oil Type	10W-30	10W-30
Engine Oil Capacity	0.6 L	0.6 L
Engine Oil Included	No	No
Low Oil Shut-Off	Yes	Yes
Wheels	No	No
CE Certified	Yes	Yes

SPECIFICATIONS	CPG6500 E2 (EU/SC)	CPG9000 E2 (EU/SC)
Gasoline Starting Watts	6250W	9375W
Gasoline Running Watts	5000W	7500W
Gasoline Starting Amps at 220V	28.41A	42.61A
Gasoline Running Amps at 220V	22.73A	34.09A
Volts	220	220
Frequency	50Hz	50Hz
Outlets	220V 16A Euro 2Pin 220V 32A Euro 3Pin	220V 16A Euro 2Pin 220V 32A Euro 3Pin
GFCI Outlets	No	No
Covered Outlets	Yes	Yes
Gasoline Run Time at 1/2 Load	8.0 h.	8.0 h.
Noise Level	73.0 dBA	74.0 dBA
Inverter	No	No
Parallel Capability	No	No
DC Operation	Yes	Yes
Voltmeter	Intelligauge	Intelligauge
Automatic Voltage Regulation	Yes	Yes
Battery	Yes	Yes
Start Type	Recoil/Electric Start	Recoil/Electric Start
Engine Brand	Champion	Champion
Engine Size	389cc	459cc
Engine Type	4-stroke	4-stroke
Engine Speed	3000	3000
Fuel Type	Gasoline	Gasoline
Fuel Gauge	Yes	Yes
Gasoline Capacity	22.7L	22.7L
Gasoline Tank Material	Steel	Steel
Engine Oil Type	10W-30	10W-30
Engine Oil Capacity	1.1 L	1.1 L
Engine Oil Included	No	No
Low Oil Shut-Off	Yes	Yes
Wheels	Yes	Yes
CE Certified	Yes	Yes

EC Declaration of Conformity

Zertifikatnr. / Certificat nr / Certificate No. DW2017CE0239 01-V1-BPE

Lieferant und Emittent / Fournisseur et émetteur / Supplier and Issuer:

BPE Solutions Deutschland GmbH, Altrottstrasse 31, 69190 Walldorf, Deutschland

Gerät(e) / Dispositif (s) / Equipment	Champion Low Power Generating Sets
Modell / Modéle / Model	CPG3500-EU, CPG3500E2-DF-EU, CPG4000E1-EU, CPG6500E2-EU, CPG7500E2-DF-EU, CPG9000E2-EU
Seriennummer / numéro de série / Serial Number	

Gemäß den folgenden Richtlinien / Conformément aux directives suivantes
In accordance with the following directives :

Machinery Directive 2006/42/EC
Low Voltage Directive 2014/35/EU
Electromagnetic Compatibility Directive 2014/30/EU
Emission of Gaseous and Particulate Pollutants 2012/46/EU
Noise Directive 2005/88/EC
RoHS Directive 2011/65/EU

Gemäß den folgenden Normen / Selon les normes suivantes /
In accordance with the following Standards:

BS EN ISO 8528-13:2016	BS EN 60204-1:2018	BS EN IEC 61000-6-1:2019
BS EN 12601:2010	BS EN 55012:2007+A1:2009	BS EN ISO 3744:1995

Hiermit erkläre ich, dass das/die obengenannte(n) Gerät(e) gemäß den relevanten Abschnitten der obigen Anforderungen entworfen und hergestellt wurde(n). Die Produkte entsprechen den Grundanforderungen der relevanten Richtlinien und Normen. Dieses Zertifikat ist nur bei den obengenannten Produkten und Konfigurationen im Zusammenhang mit detaillierten Testdaten sowie mit allen zutreffenden rechtlichen Vorschriften des Produktes gültig.

Je déclare par la présente que le(s) dispositif(s) ci – dessus ont été conçus et fabriqués conformément aux sections pertinentes des exigences ci-dessus. Les produits satisfont aux exigences de base des directives et normes applicables. Ce certificat n'est valable que pour les produits et configurations ci-dessus en relation avec des données de test détaillées ainsi qu'avec toutes les réglementations légales applicables du produit.

I hereby declare that the equipment named above has been designed and manufactured to comply with relevant sections of the above referenced specifications. The products comply with the essential requirements of the relevant directives and standards. This certificate is only valid for the product(s) and configuration described in conjunction with details test data and with all applicable legal requirements of this product.

This declaration of conformity is issued under the exclusive responsibility of the manufacturer.

Datum / Date:	01.06.2022 09:52
Land / Pays / Issuing Country:	Deutschland

X *P Bimson*

Raul Bimson
QA & Development Manager



Registered Technical File Holders Address
BPE Solutions Deutschland GmbH
Altrottstrasse 31
69190 Walldorf
Deutschland
DE 347460020

EC Declaration of Conformity

Zertifikatnr. / Certificat nr / Certificate No. DW2017CE0239 01-V1-BPE

Lieferant und Emittent / Fournisseur et émetteur / Supplier and Issuer:

BPE Holding Ltd, Unit 17/18A Bradley Hall Trad Est, Bradley Lane, Wigan, WN6 0XQ, UK

Gerät(e) / Dispositif (s) / Equipment	Champion Low Power Generating Sets
Modell / Modéle / Model	CPG3500, CPG3500E2-DF, CPG4000E1, CPG6500E2, CPG7500E2-DF, CPG9000E2
Seriennummer / numéro de série / Serial Number	

Gemäß den folgenden Richtlinien / Conformément aux directives suivantes
In accordance with the following directives :

Machinery Directive 2006/42/EC
Low Voltage Directive 2014/35/EU
Electromagnetic Compatibility Directive 2014/30/EU
Emission of Gaseous and Particulate Pollutants 2012/46/EU
Noise Directive 2005/88/EC
RoHs Directive 2011/65/EU

Gemäß den folgenden Normen / Selon les normes suivantes /
In accordance with the following Standards:

BS EN ISO 8528-13:2016	BS EN 60204-1:2018	BS EN IEC 61000-6-1:2019
BS EN 12601:2010	BS EN 55012:2007+A1:2009	BS EN ISO 3744:1995

Hiermit erkläre ich, dass das/die obengenannte(n) Gerät(e) gemäß den relevanten Abschnitten der obigen Anforderungen entworfen und hergestellt wurde(n). Die Produkte entsprechen den Grundanforderungen der relevanten Richtlinien und Normen. Dieses Zertifikat ist nur bei den obengenannten Produkten und Konfigurationen im Zusammenhang mit detaillierten Testdaten sowie mit allen zutreffenden rechtlichen Vorschriften des Produktes gültig.

Je déclare par la présente que le(s) dispositif(s) ci – dessus ont été conçus et fabriqués conformément aux sections pertinentes des exigences ci-dessus. Les produits satisfont aux exigences de base des directives et normes applicables. Ce certificat n'est valable que pour les produits et configurations ci-dessus en relation avec des données de test détaillées ainsi qu'avec toutes les réglementations légales applicables du produit.

I hereby declare that the equipment named above has been designed and manufactured to comply with relevant sections of the above referenced specifications. The products comply with the essential requirements of the relevant directives and standards. This certificate is only valid for the product(s) and configuration described in conjunction with details test data and with all applicable legal requirements of this product.

This declaration of conformity is issued under the exclusive responsibility of the manufacturer.

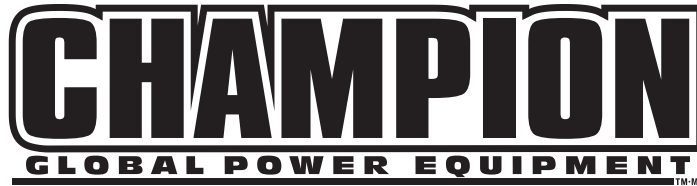
Datum / Date:	01.06.2022 09:52
Land / Pays / Issuing Country:	United Kingdom

X *P. Binson*
Paul Simson
QA & Development Manager

**UK
CA**

**Registered Technical File Holder
BPE Holdings Ltd
Unit 17/18A Bradley Hall Trad Est
Bradley Lane
Wigan
WN6 0XQ
UK**

EN



**For warranty and repair enquiries,
please contact the retailer where you
purchased your Champion product.**

Champion Power Equipment Europe Service & Technical Contacts

United Kingdom:

BPE Holdings
Unit 17-18
Bradley Hall Trading Estate
Bradley Lane, Standish
Wigan, WN6 0XQ, UK
service@bpeholdings.co.uk

Germany:

BPE Solutions Deutschland GmbH
Altrottstraße 31
D-69190 Walldorf
Germany
support@bpeholdings.de

France:

BPE Solutions France SAS
3 Boulevard de Belfort
59000 Lille
France
sav@bpeholdings.fr

Sweden:

BPE Nordic AB
Valnäsgatan 2
44252 Ytterby
Sweden
info@championgenerators.se